

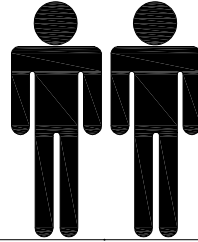
# ASSEMBLY INSTRUCTION

DESCRIPTION:  
CAT. NO 76EH6  
BELLAGIO GB  
3 DR 3 DRW ROBE

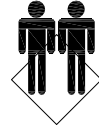
## 2,0 hrs

APPROXIMATE ASSEMBLY TIME

2 PERSON ASSEMBLY

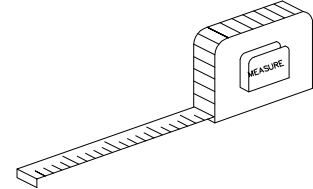
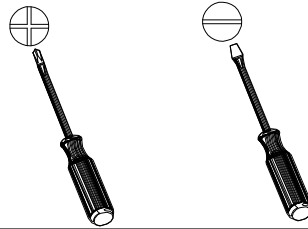


FLOOR AREA  
3.5M X 2.0M



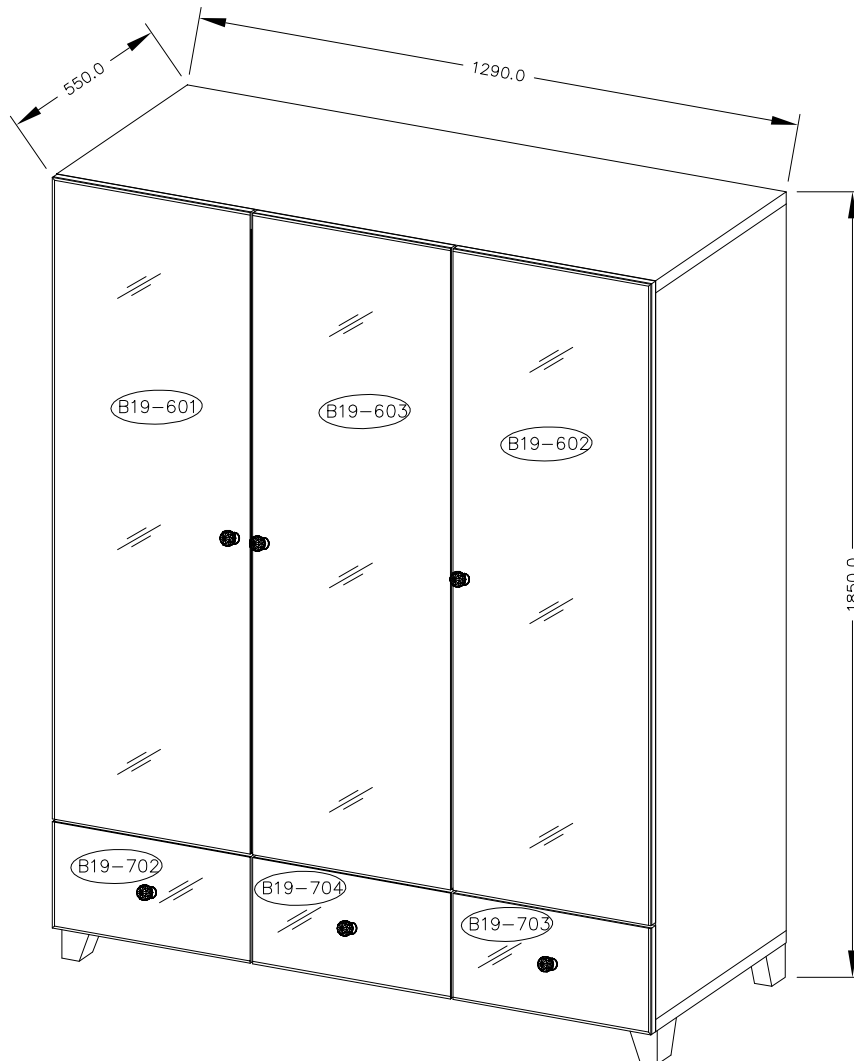
CEILING HEIGHT  
2.3M

(FLAT BULD)  
REQUIRED ASSEMBLY SPACE



REQUIRED ASSEMBLY TOOLS

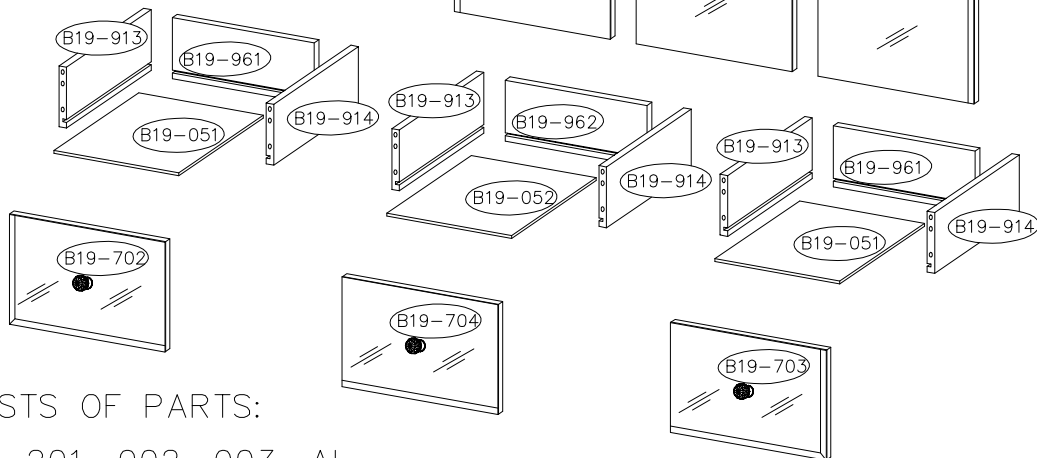
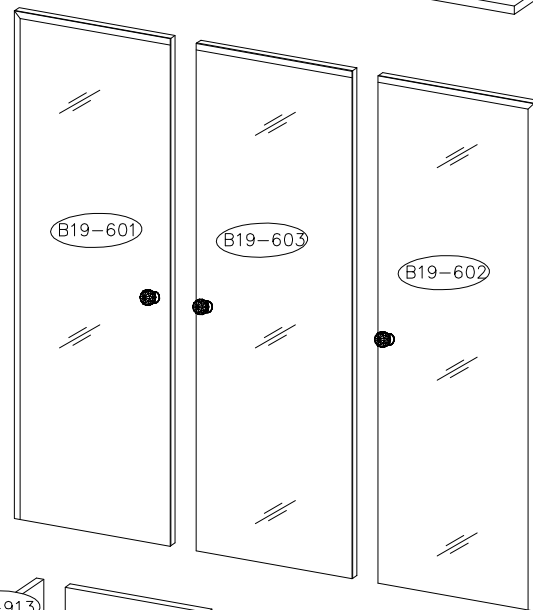
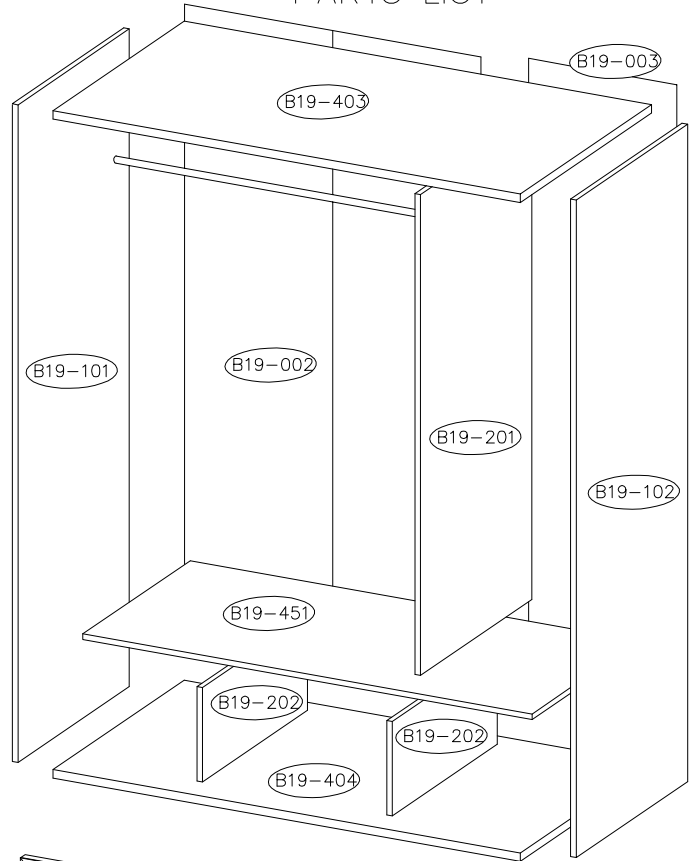
ASSEMBLED DIMENSIONS



NO. PART LIST

NO.	PART LIST	QTY
101	LEFT SIDE	1
102	RIGHT SIDE	1
201	DASH PANEL	1
202	DASH PANEL	2
403	TOP PANEL	1
404	BOTTOM PANEL	1
451	LOWER MIDDLE SHELF	1
601	DOOR LH	1
602	DOOR RH	1
603	DOOR RH	1
702	DRAWAR'S FRONT	1
703	DRAWAR'S FRONT	1
704	DRAWAR'S FRONT	1
913	LEFT SIDE OF CARCASE	3
914	RIGHT SIDE OF CARCASE	3
961	BACK PANEL OF CARCASE	2
962	BACK PANEL OF CARCASE	1
051	BOTTOM OF DRAWER	2
052	BOTTOM OF DRAWER	1
002	BACK PANEL COMBINED WITH TAPE	1
003	BACK PANEL	1

PARTS LIST



PACK 1 CONSISTS OF PARTS:

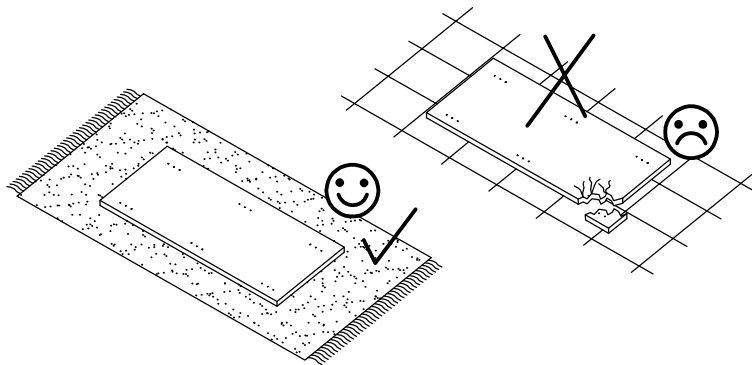
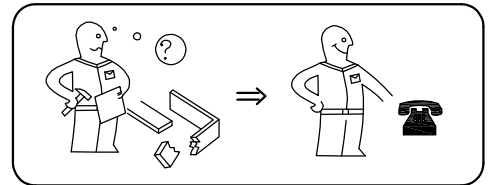
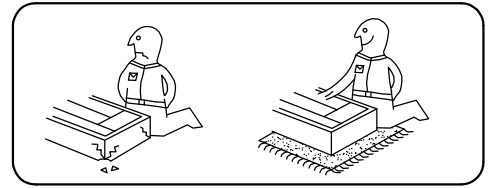
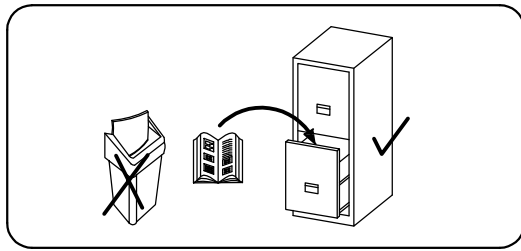
101, 102, 201, 002, 003, A1

PACK 2 CONSISTS OF PARTS:

601, 602, 603

PACK 3 CONSISTS OF PARTS:

202, 403, 404, 451, 702, 703, 704, 913, 914, 961, 962, 051, 052, Fittings



K2	L
3	3 KPL

					6.3X13	6.0X11	M4.0X25		
A	B	B1	C	D	F	F1	G	I1	J
18	18	4	14	32	5	12	6	2	18
4mm	3mm				3.0X13	3.0X20	3.5X13		6.4X50
K	M	N	O	P	P2	P4	S	T	V
1	1	4	6	5	10	12	10	4	8
	6.3X11		5.0X50			4.0X13	L-826	L-399	
U	W	X	Q	D1	A4	N1	Z2	Z3	Q1
6	4	9	18	2	6	18	1	1	2

## **Top Tips before you start!**

1. Please check that all parts are present before you start the assembly of your furniture, as once assembled, the furniture is exempt from our home approval policy.
2. For ease and speed of assembly, we recommend that before you commence each step of the assembly, that you identify all the parts required for that step.
3. For larger items, please ensure that you have sufficient space and people ( as indicated on page 1 ) to assemble your product safely.
4. We recommend that, where possible, all items are assembled near to the area in which they will be placed in use, to avoid moving the product unnecessarily once assembled.
5. For the protection of your furniture, particularly items of high gloss finish, we recommend that the product is placed on a protected surface during assembly to prevent any damage.
6. During assembly please take care not to over-tighten any fittings, as this may damage the product.

## **Care and Maintenance of your Furniture**

Please periodically check all fittings and re-tighten as necessary.

To clean your item, please use a damp cloth and wipe clean.

Never allow any kind of liquid to remain on your furniture. Absorption can cause wood to warp or finishes to de-laminate.



Please do not place hot items ( e. g. hot drinks ) directly on to the wood surface.

Please do not drag or pull your furniture.

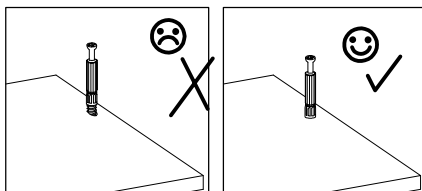
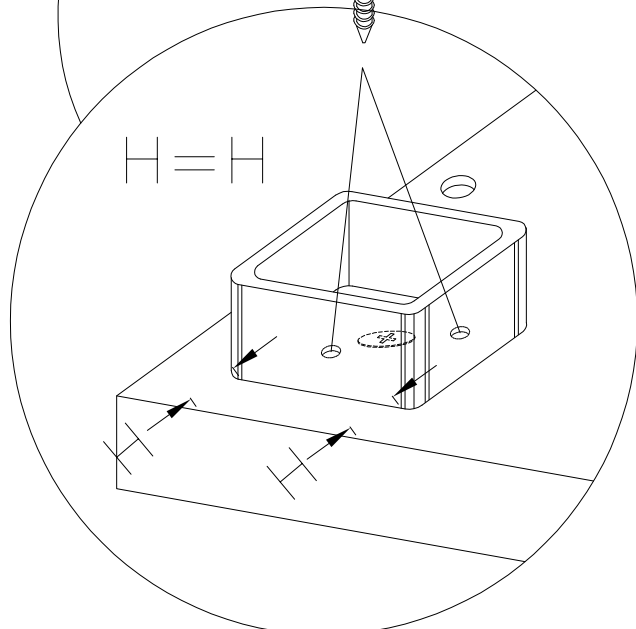
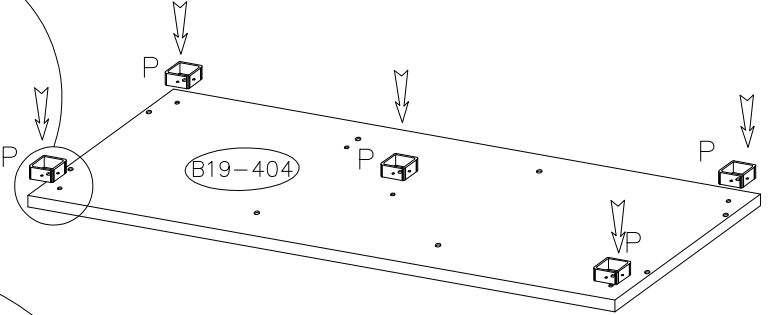
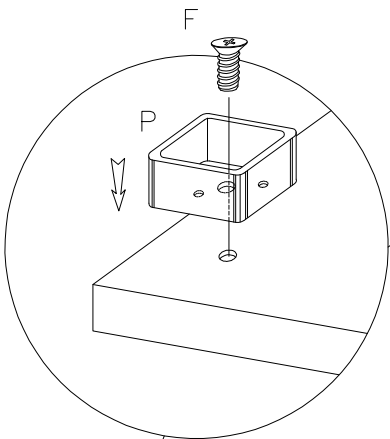
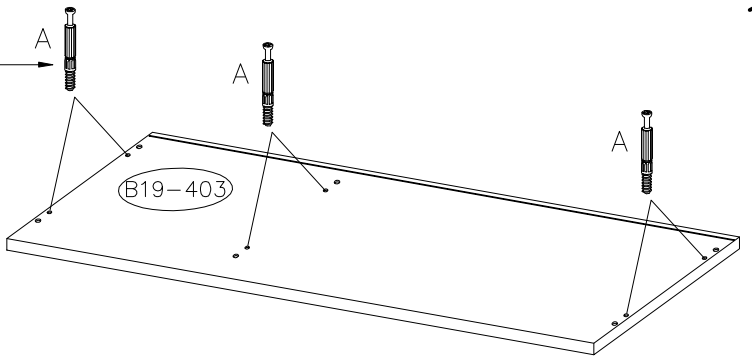
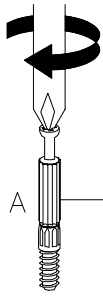
# **WARNING! IN ORDER TO HELP PREVENT OVERTURNING THIS PRODUCT MUST BE USED WITH THE WALL ATTACHMENT DEVICE PROVIDED**


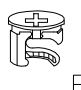
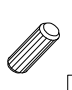
## **Free Standing Furniture with a height over 600mm**

- Use the wall attachment device provided
- Never allow children to climb or hang on drawers, doors or shelves.
- Place heaviest items in the lower drawers or shelves
- Unless specifically designed to accommodate, do not set TV's or other heavy objects on top of this product.
- Never open more than one drawer at a time.

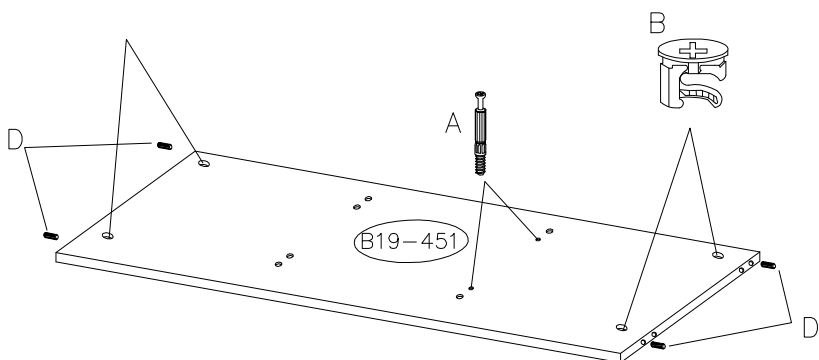
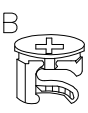
	6.3X13 F		3.5X13 S
6	5	5	10

1






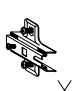
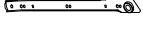



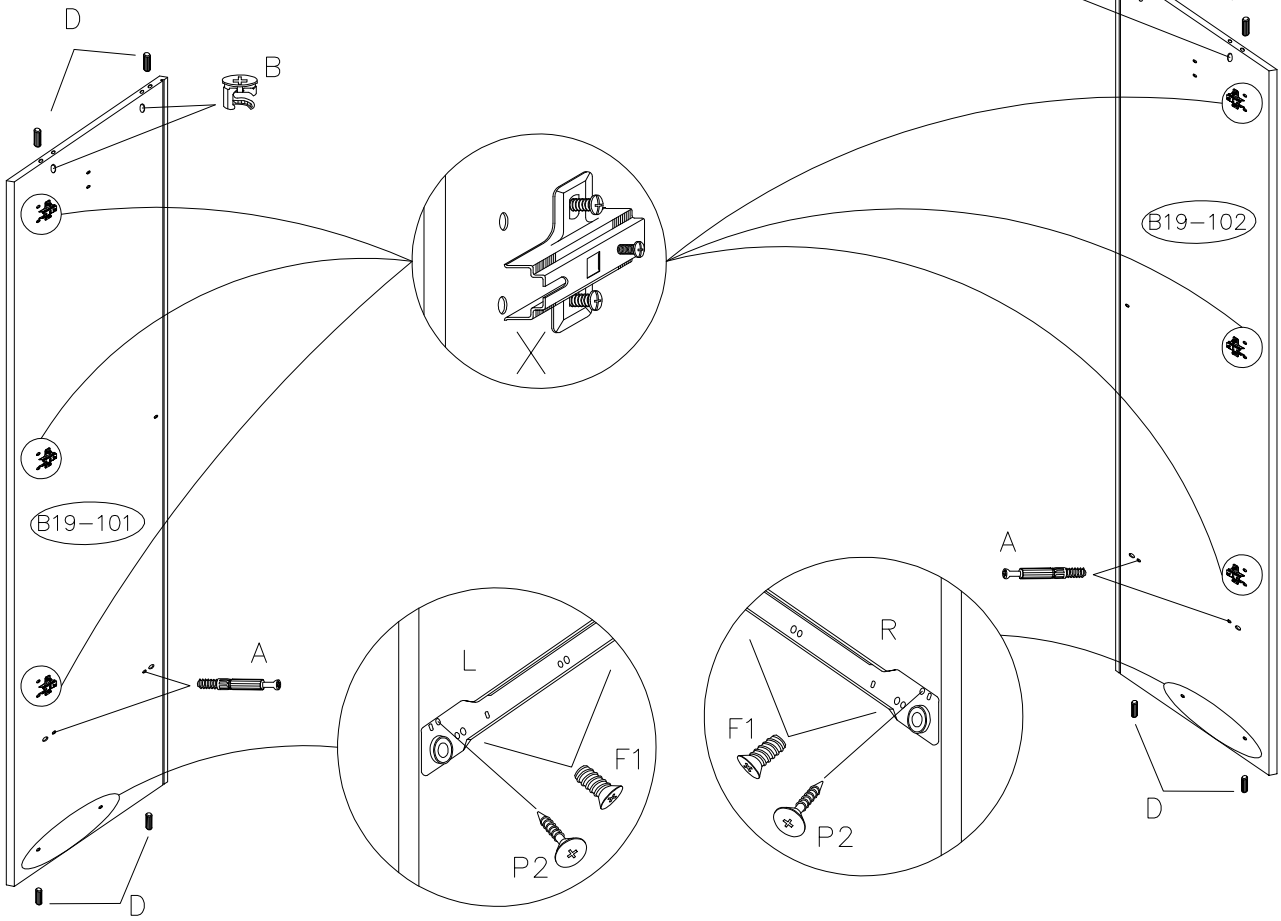
		
2	4	4

2





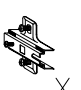
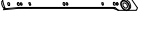
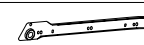


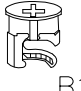
3

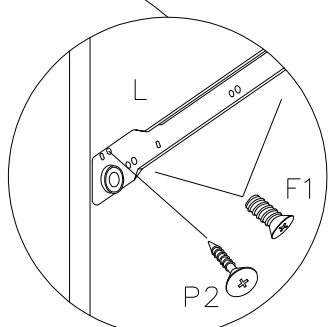
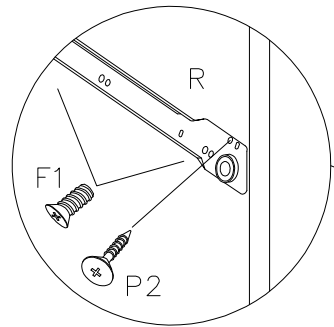
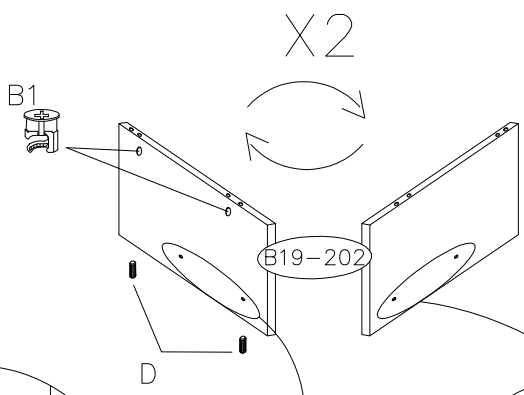
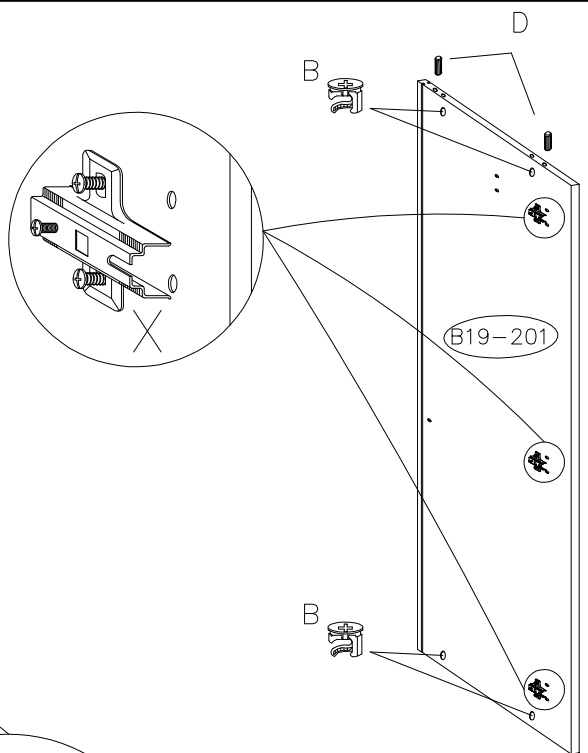
			6.0X11 	3.0X13 			R
4	4	8	4	2	6		L




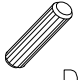
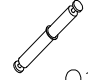
4

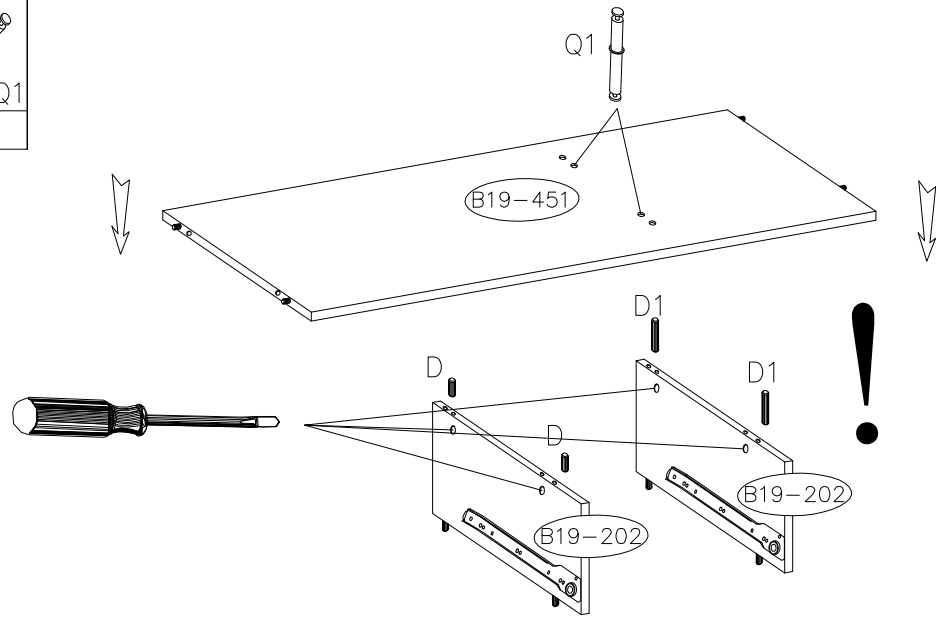
		6.0X11 	3.0X13 			R
4	6	8	4	3		L


4

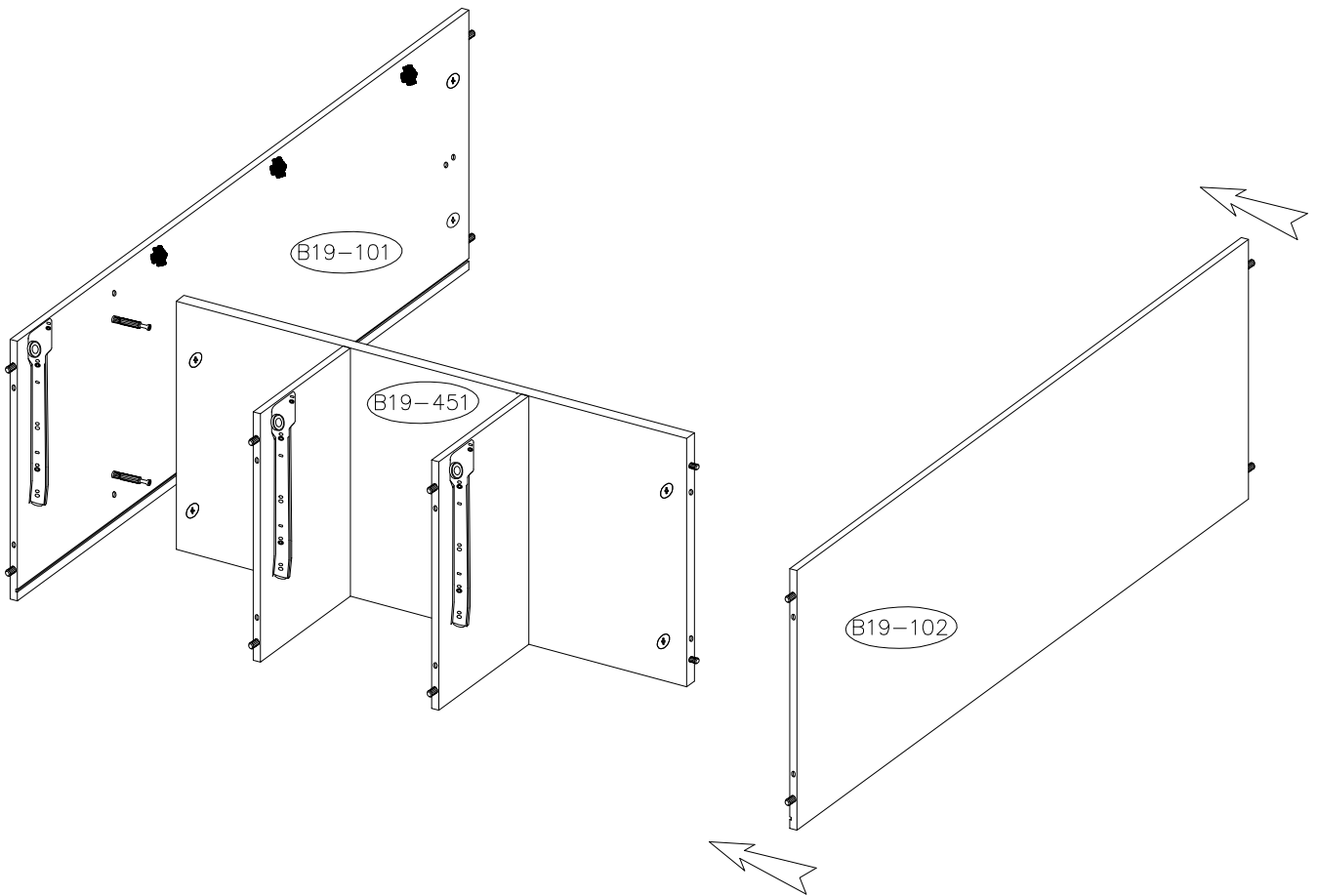




5

		
D	D1	Q1
2	2	2

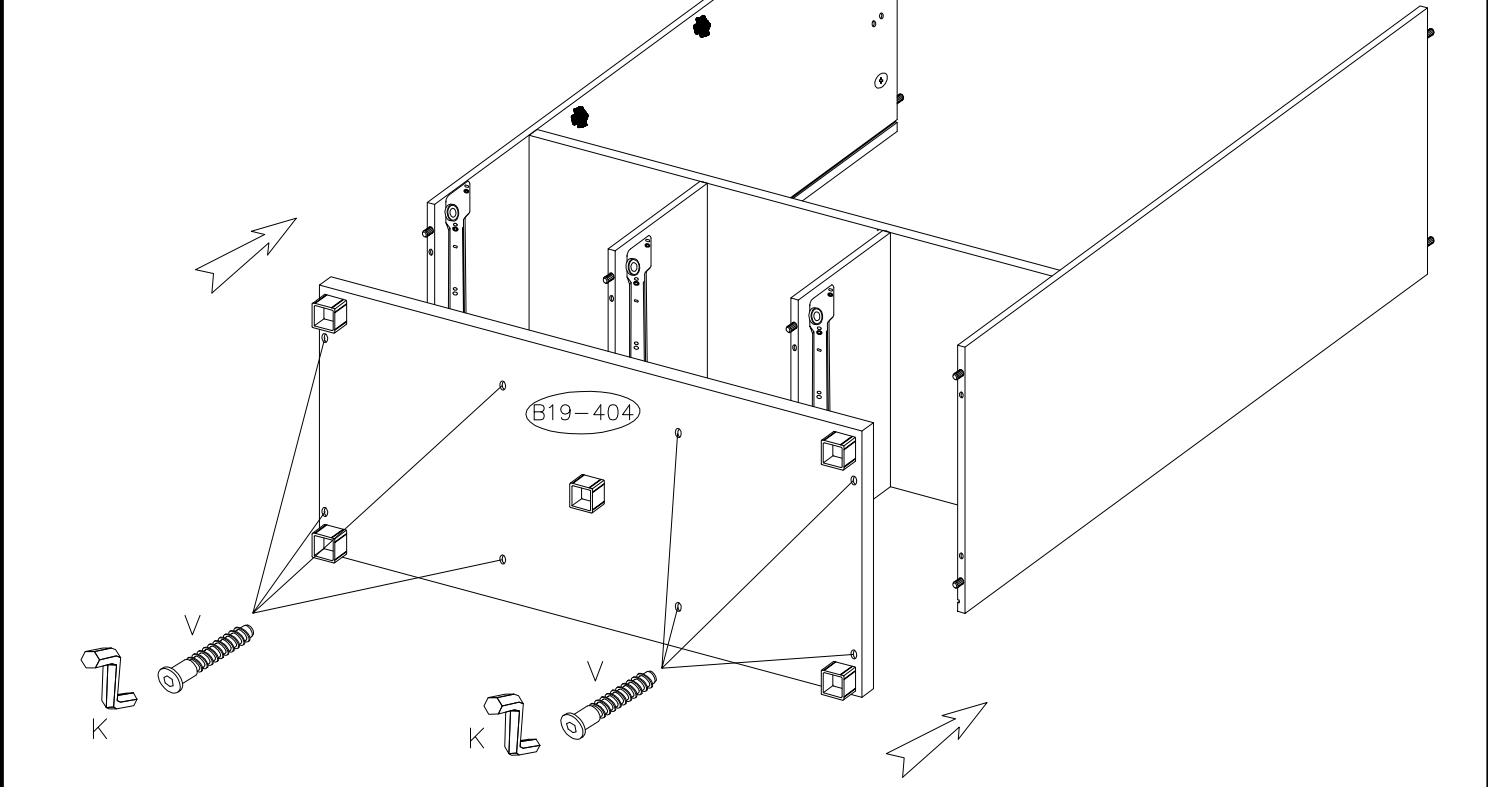




6



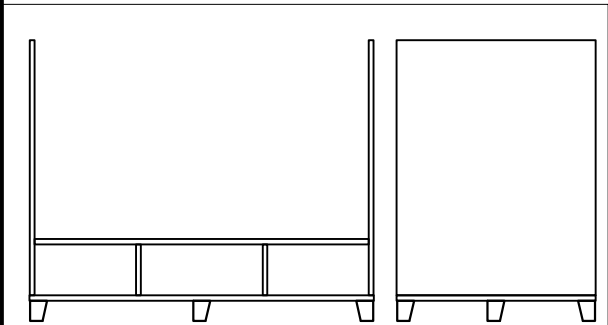
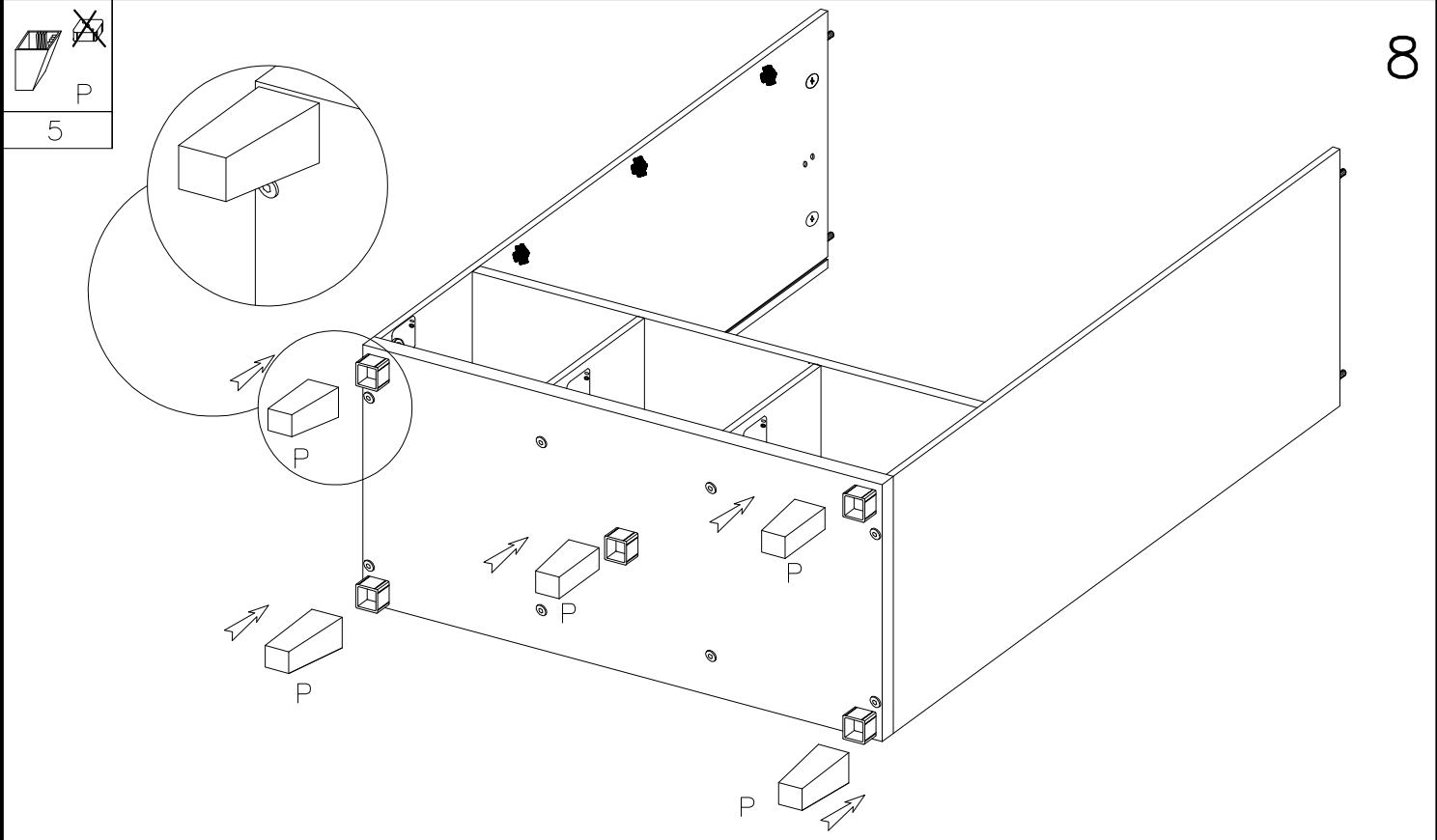
6.4X50  V	4mm  K
8	1

7

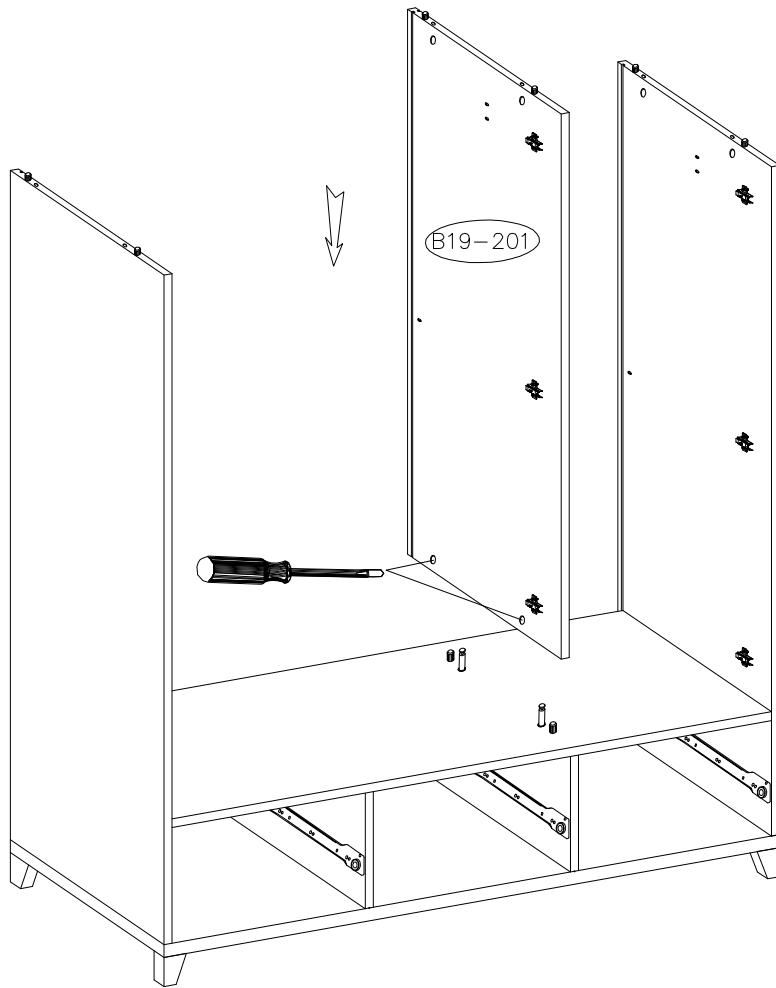


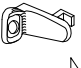

 P	<del></del>
5	

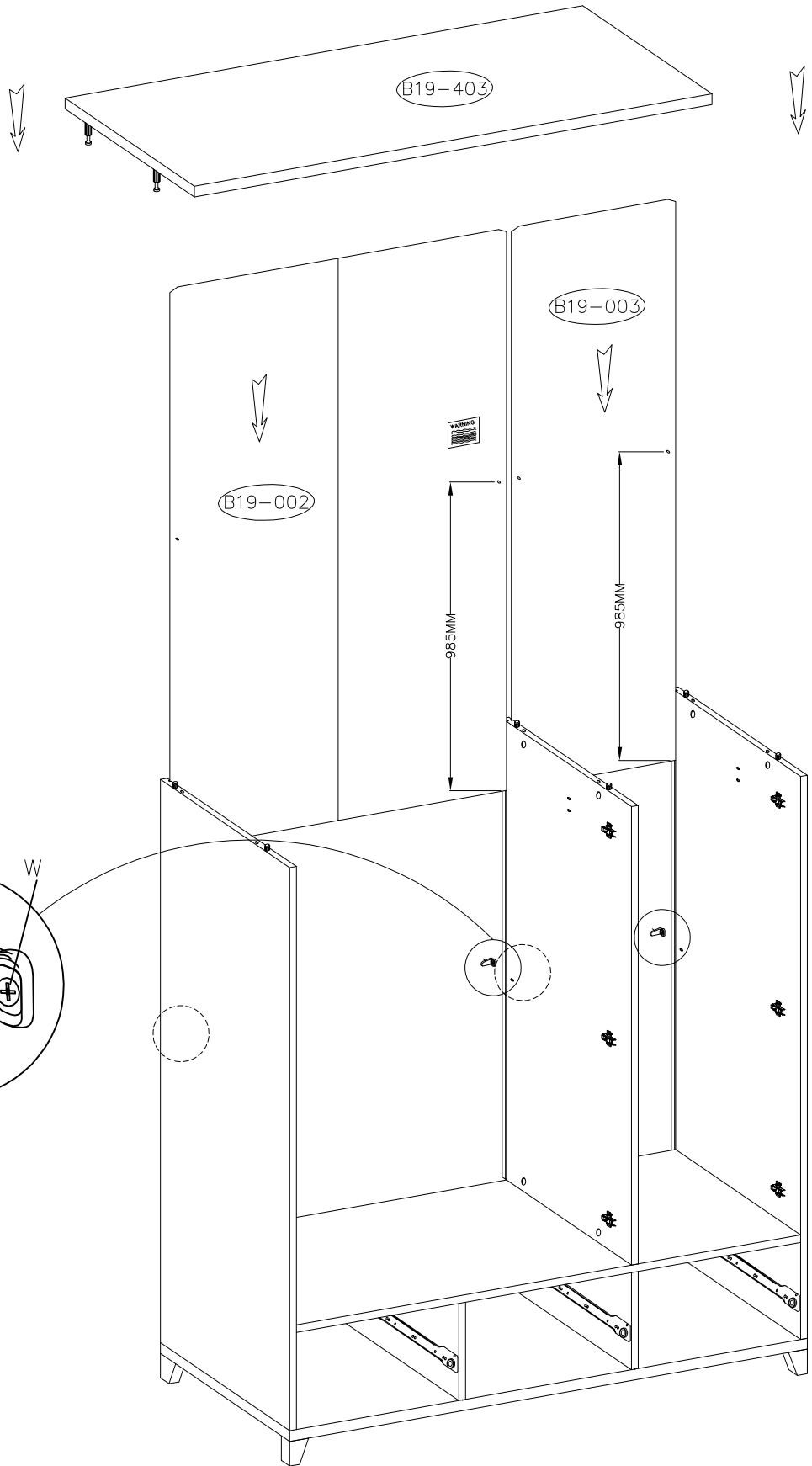
8

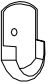

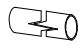
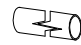


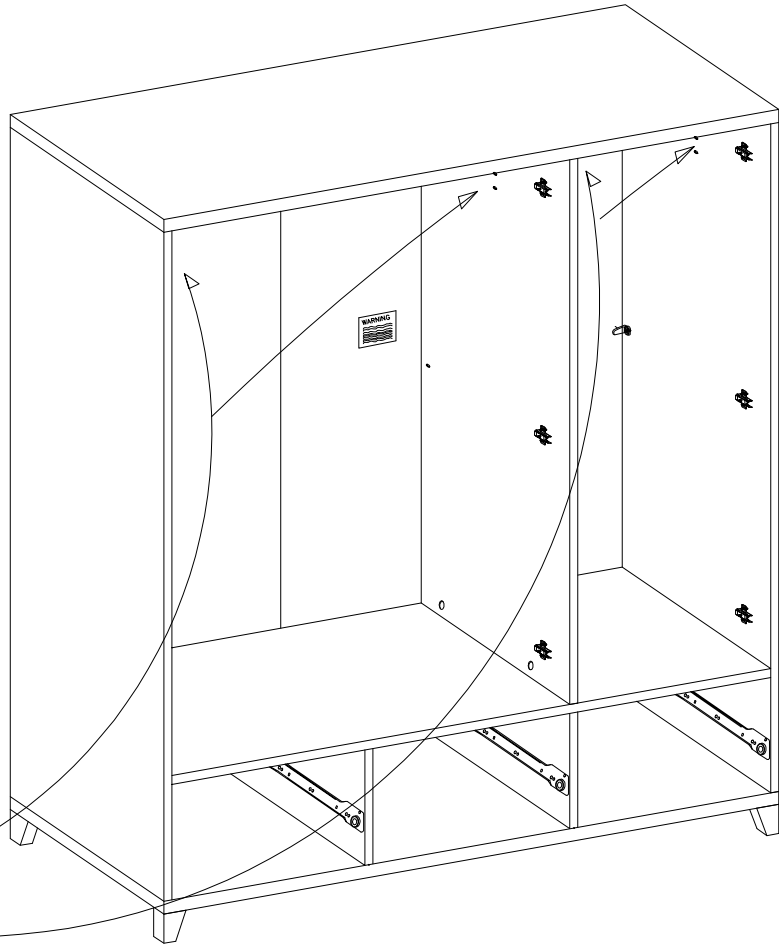
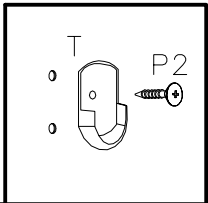
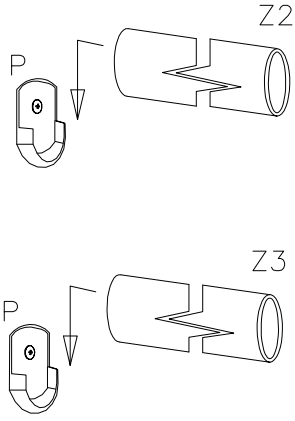



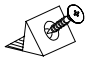


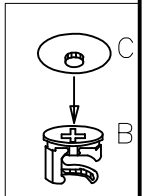
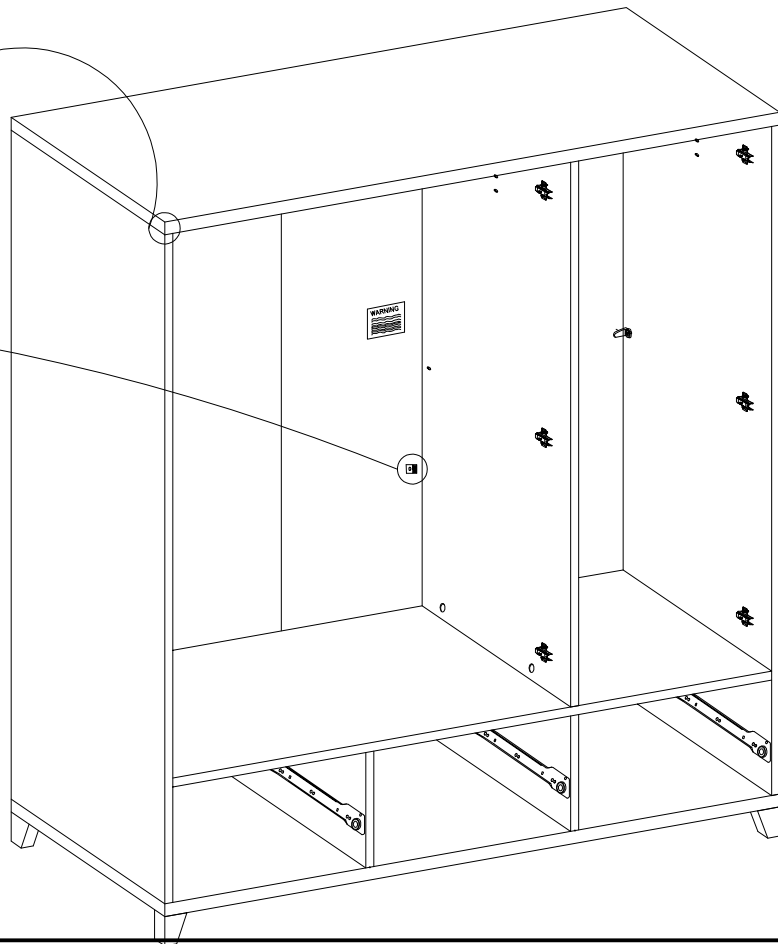
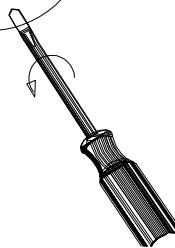
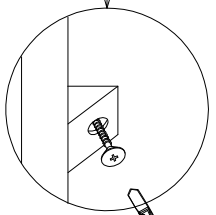
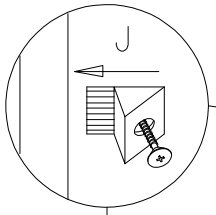
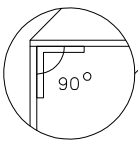
	6.3X11
N	
4	4


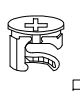

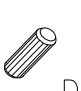
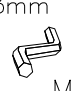






	3.0X13 	L-826 	L-399 
T	P2	Z2	Z3
4	4	1	1

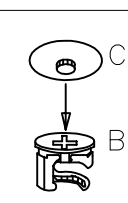
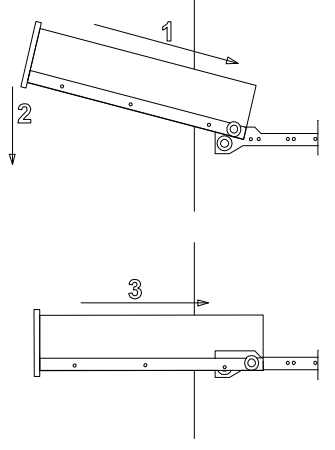
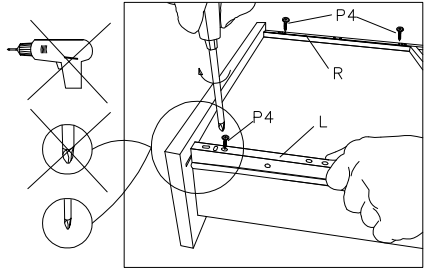
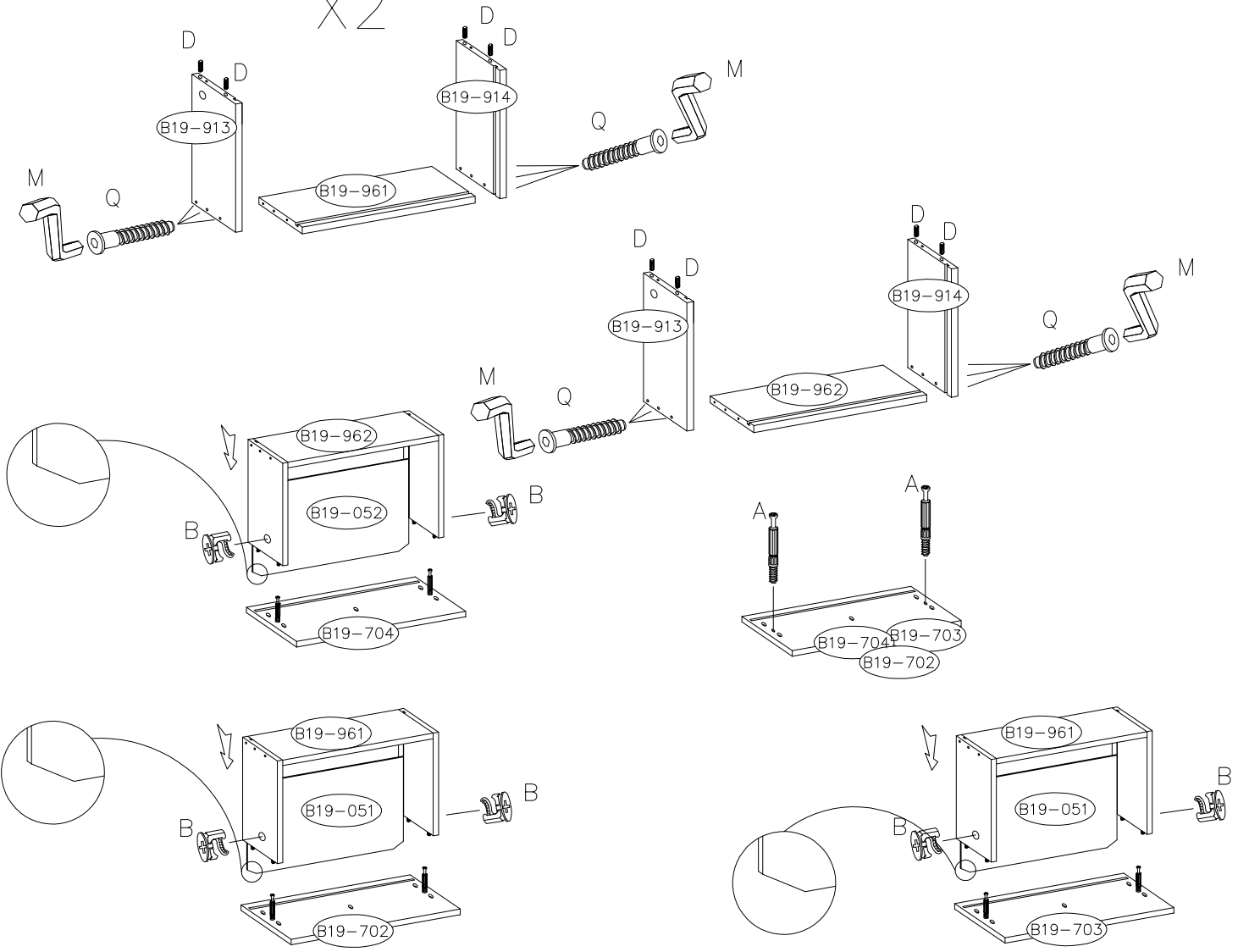




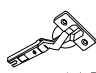
	
C	J
8	18

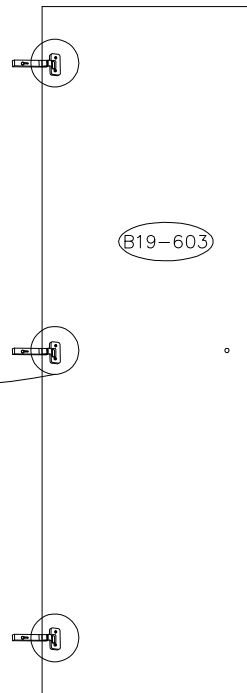
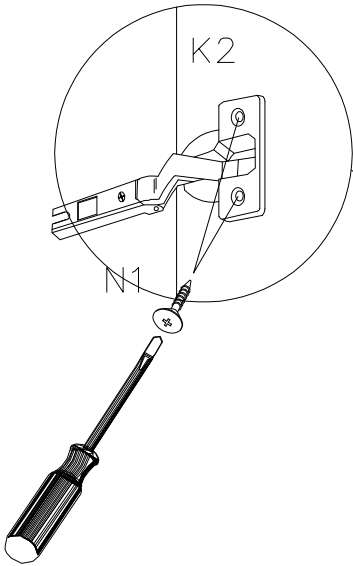
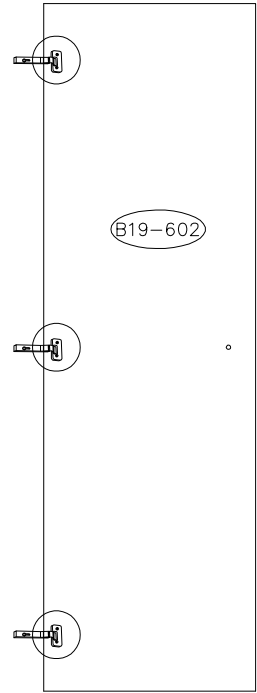
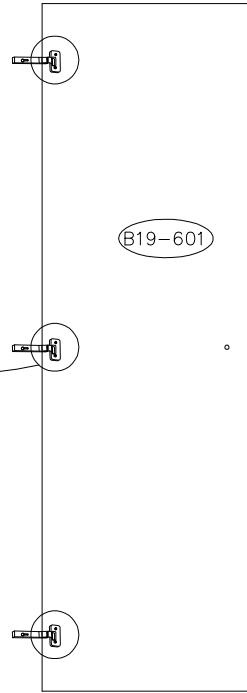
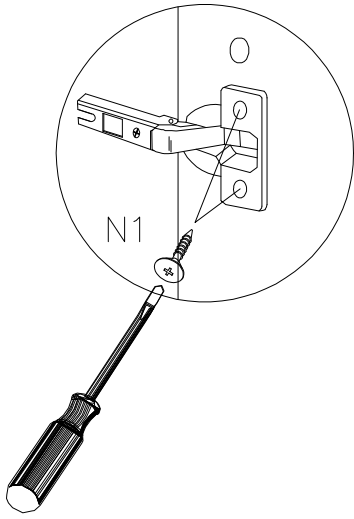


				3mm 	3.0X20 	5.0X50 	 R  L
6	6	6	12	1	12	18	3

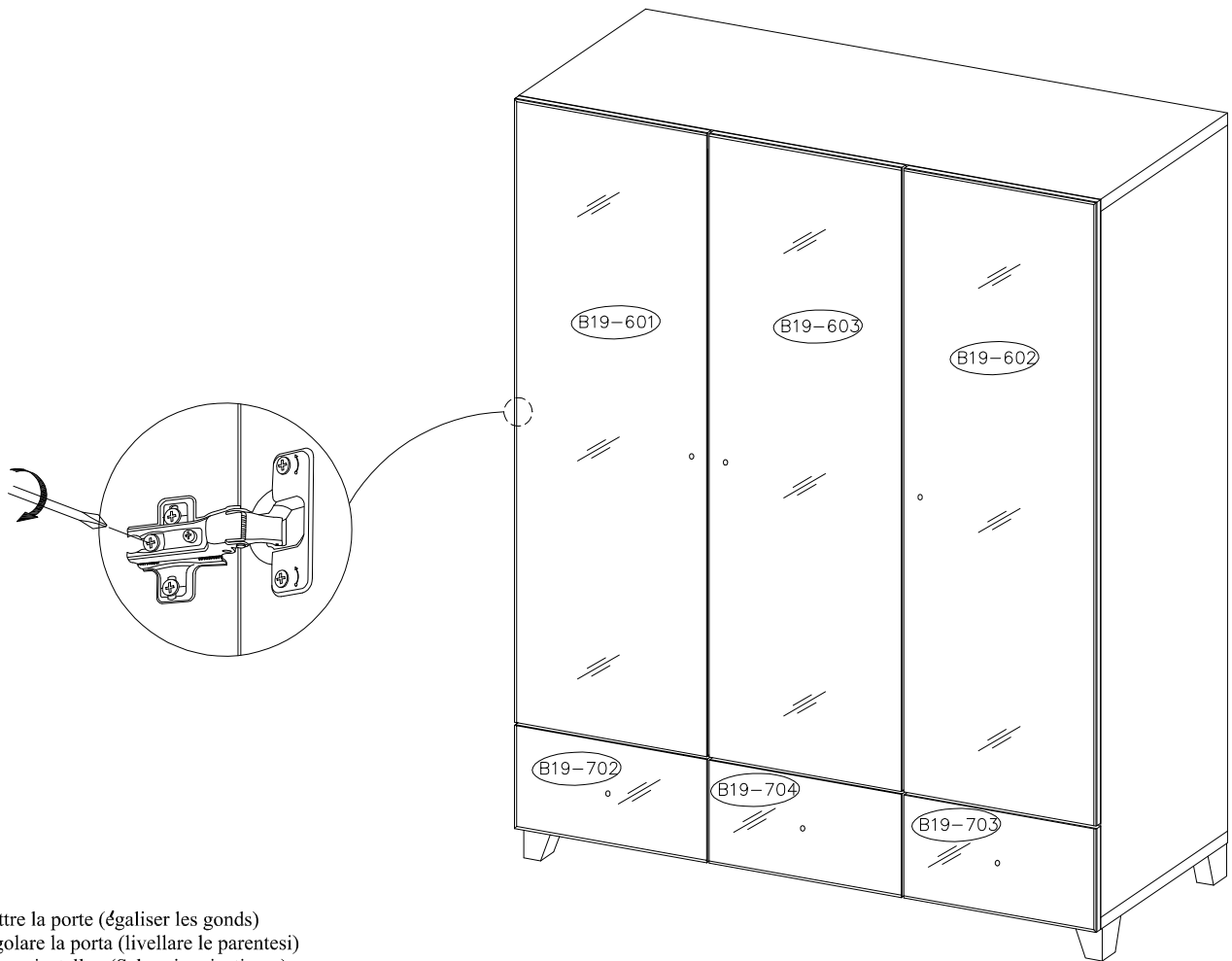
X2



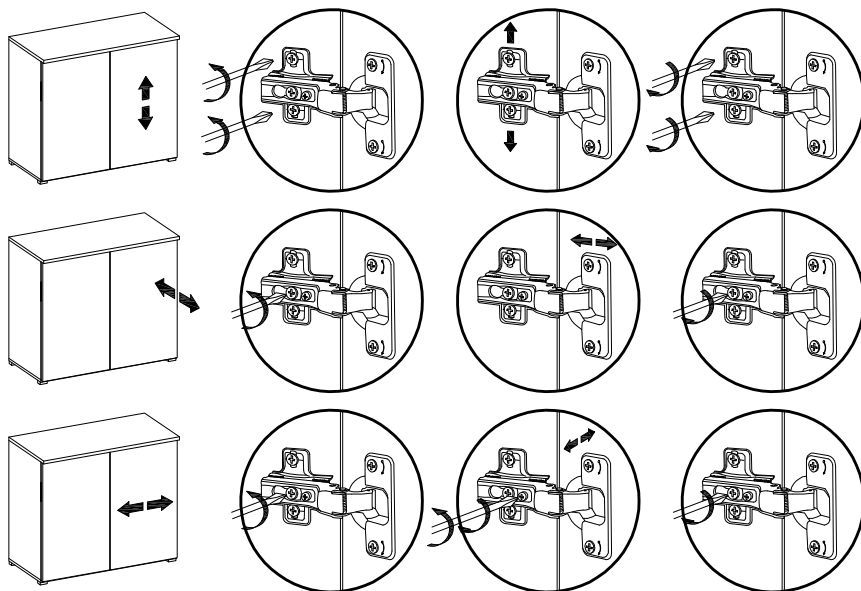
 O	4.0X13  N1	 K2
6	18	3






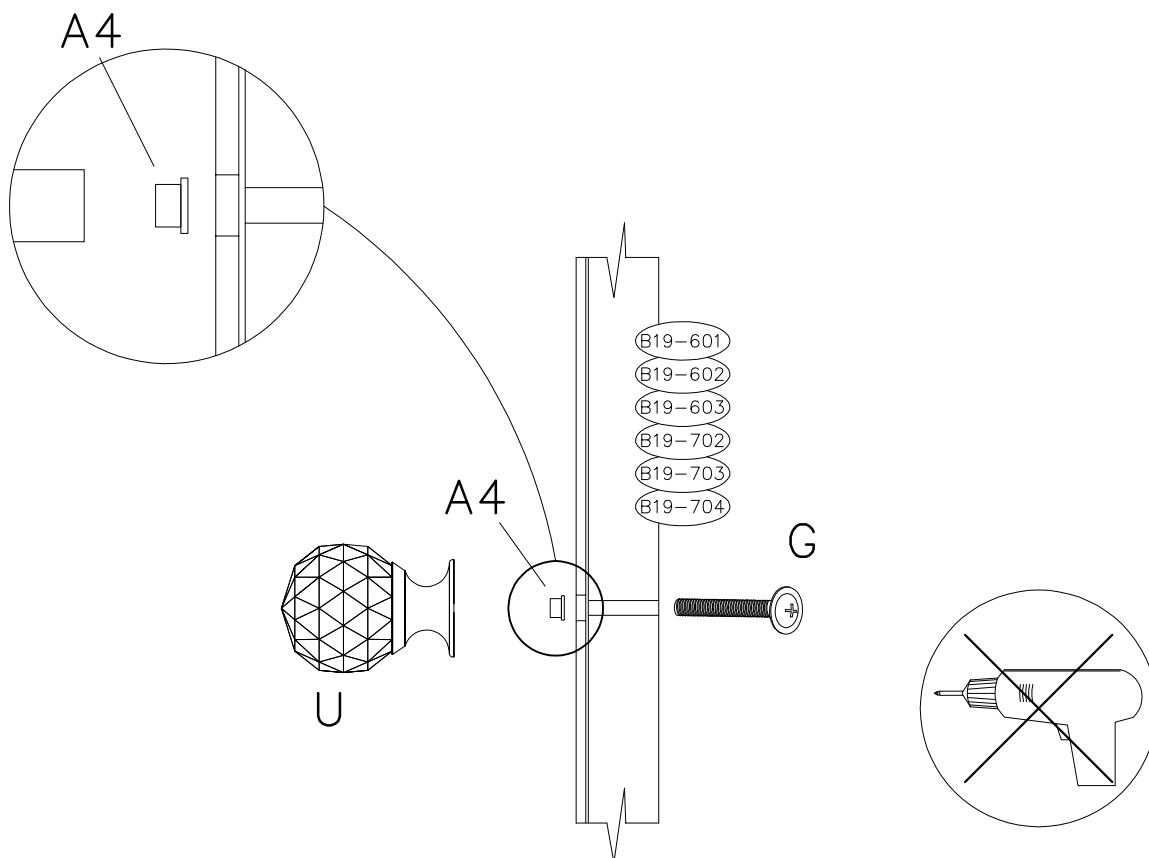
**Caution: We recommend Two people to safety hang and fix the Mirrored doors to the frame securely.**



- (F) Mettre la porte (égaler les gonds)
- (I) Regolare la porta (livellare le parentesi)
- (D) Turen einstellen (Scharniere justieren)
- (GB) Adjusting the doors (adjusting the hinges)
- (NL) Deuren instellen (scharnieren afstellen)
- (PL) Nastawic drzwi (wyrownac zawiasy)
- (TR) Kapilarin ayarlanmasi (menteselerin seviye ayari)
- (RU) Регулировка дверей (регулировка шарнира)
- (RO) Ajustați ușa (aliniati balamalele)
- (CZ) Seřid'te dveře (vyrovnejte závěsy)
- (SK) Zrad'te dvere (vyrovnaj'te závesy)
- (HU) Állítsa be az ajtót (igazítsa be a zsanérokot)



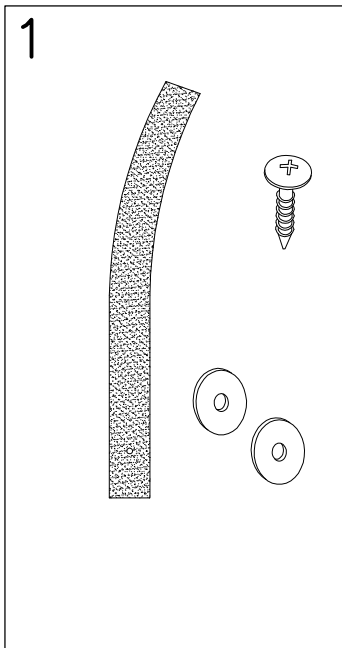
M4.0X25  G	 U	 A4
6	6	6



**CAUTION:** Please ensure that the spacer A4 is in position before you fixed the handle to the drawer front. Only hand tighten the handle, overtightening or missing the spacer could damage the mirrored drawer fronts.

For Missing / Damaged Spare parts - please visit the website

- My Account
- Account Queries
- Contact US!



⚠	<b>Uwaga • Upozornini • Achtung • Attention • Caution • Figyelem • Attenzione • Opgelet • Внимание • Atentie • Upozornenie • Dikkat</b> ⚠
PL	Mocowanie do ściany jest jednocześnie zabezpieczeniem przed przewróceniem - koniecznie zamontować! Do niektórych rodzajów ścian koniecznie zastosować specjalne kolki mocujące.
CZ	Montáž na stěnu slouží jako ochrana proti převrnutí - bezpodmienečně umístěte! U některých typů stěn může být zapotřebí speciální hmoždinka!
D	Wandbefestigung dient als Kippschutz - unbedingt anbringen! Bei einigen Wandtypen kann ein Spezialdübel erforderlich sein!
GB	The wall fastening serves to prevent tipping - be absolutely sure to mount it! For certain wall types, a special wall plug may be necessary!
FR	La fixation murale sert de protection contre le basculement - à installer impérativement ! Pour certains types de murs il faut des chevilles spéciales !
NL	Bevestiging aan de muur dient als kantelbescherming - zeker en vast bevestigen! Bij enkele muurtypes is een speciale plug misschien vereist!
IT	Il fissaggio alla parete serve da protezione anti-ribaltamento - attaccarla assolutamente! Per alcune strutture di parete può essere necessario un tassello speciale!
HU	A terméket a falhoz kel rögzíteni, különben az felborulhat! Egyes fal típusoknál speciális tiplőt kell használni!
RU	Обязательно установите крепление на стене во избежание опрокидывания! Для некоторых типов стен может потребо- ваться специальный дюбель!
RO	Sistemul de fixare la perete servește ca protecție la răsturnare - de montat obligatoriu! Pentru unele tipuri de pereți este posibil să fie necesar un diblu special!
SK	Upevnenie na stenu slúži ako ochrana proti prevráteniu - bezpodmienečne použite! Pre niektoré druhy stien môže byť potrebná špeciálna hmoždinka!
TR	Duvardaki sabitleme, devrilmeye karşı bir emniyet tedbiridir ve mutlaka monte edilmelidir! Bazı duvar tiplerinde bunun için özel bir dübel gerekli olabilir!

