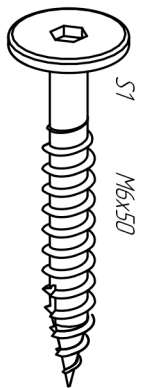
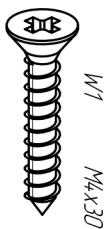
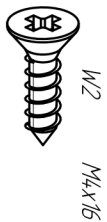
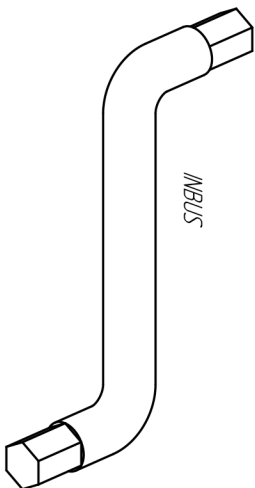
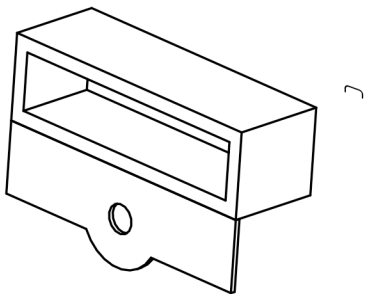


BLOX 1-11

Assembly instruction

Instrukcja montażu



BLOX 1-11

- S1 - x12
- W1 - x20
- W2 - x32
- C - x32
- INBUS - x1

BLOX 1

60x120 70x140 70x160

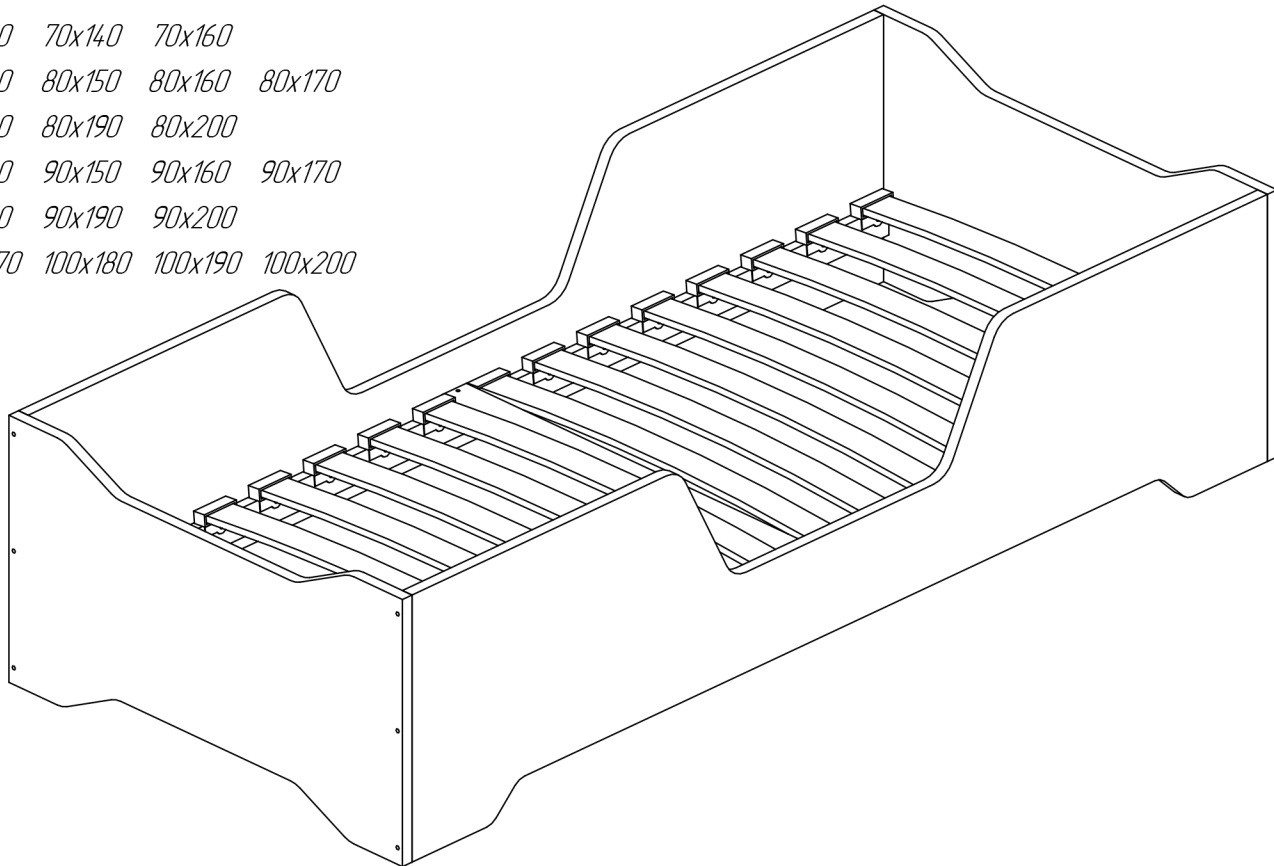
80x140 80x150 80x160 80x170

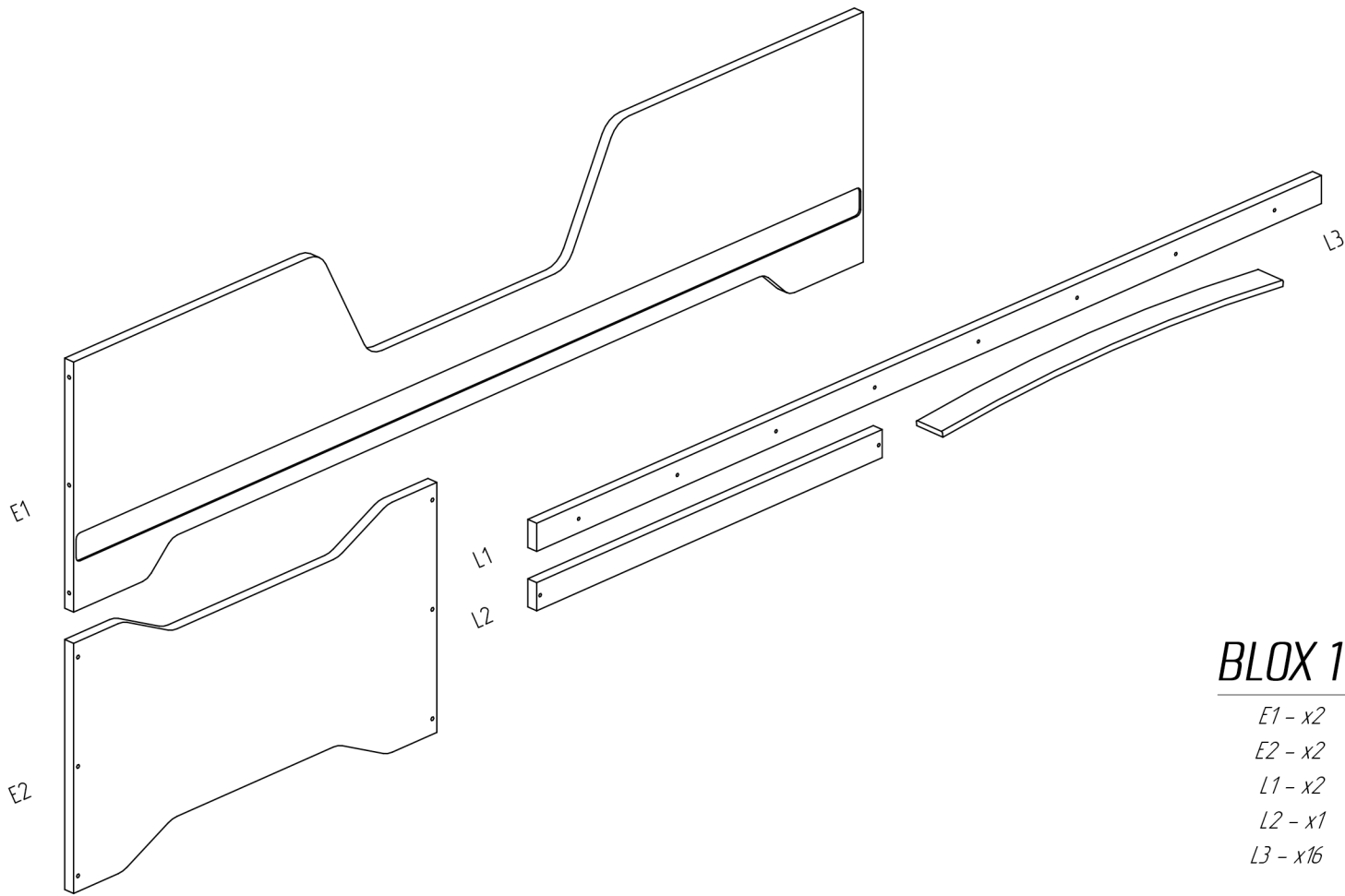
80x180 80x190 80x200

90x140 90x150 90x160 90x170

90x180 90x190 90x200

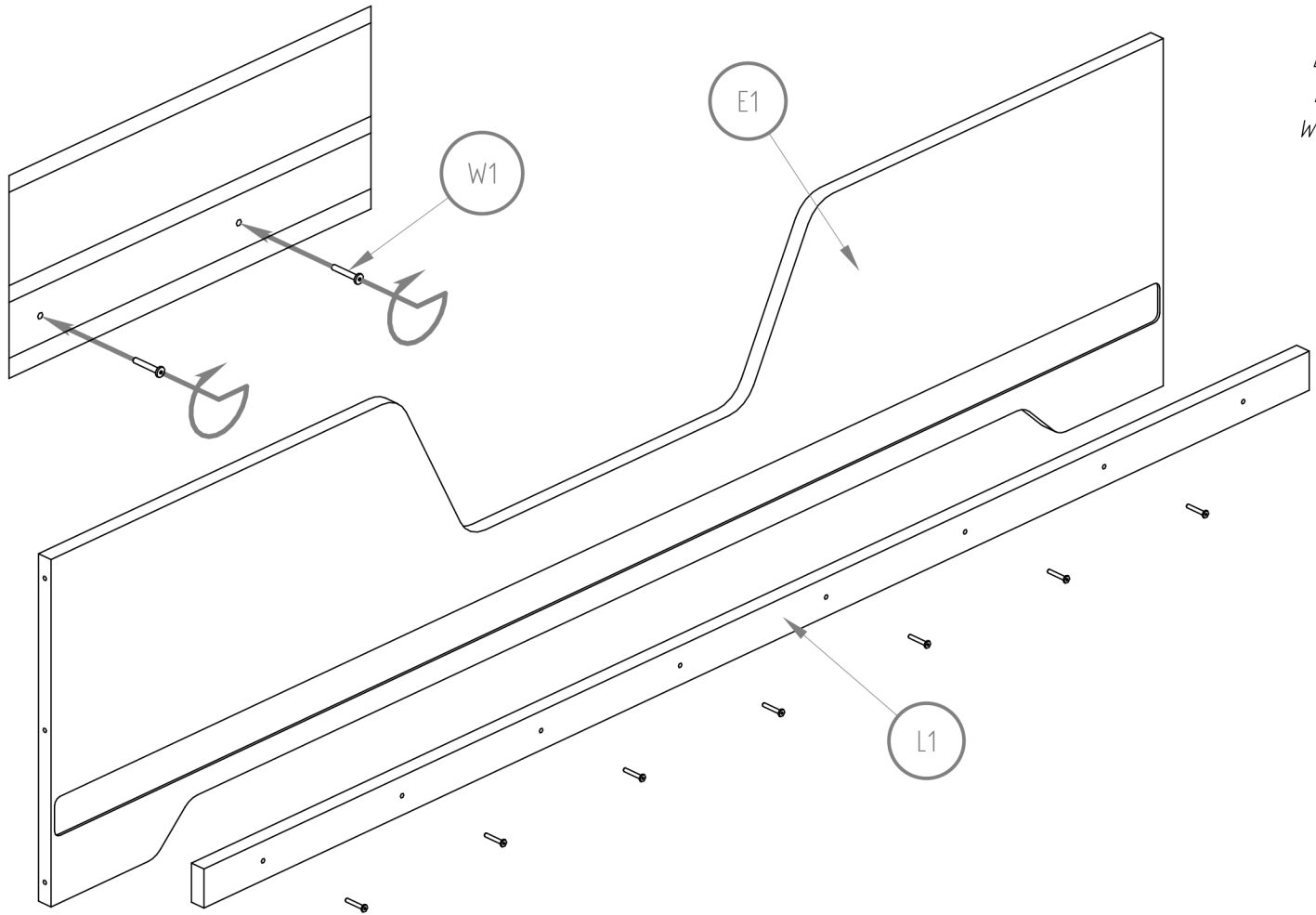
100x170 100x180 100x190 100x200





BLOX 1

- E1 - x2
- E2 - x2
- L1 - x2
- L2 - x1
- L3 - x16

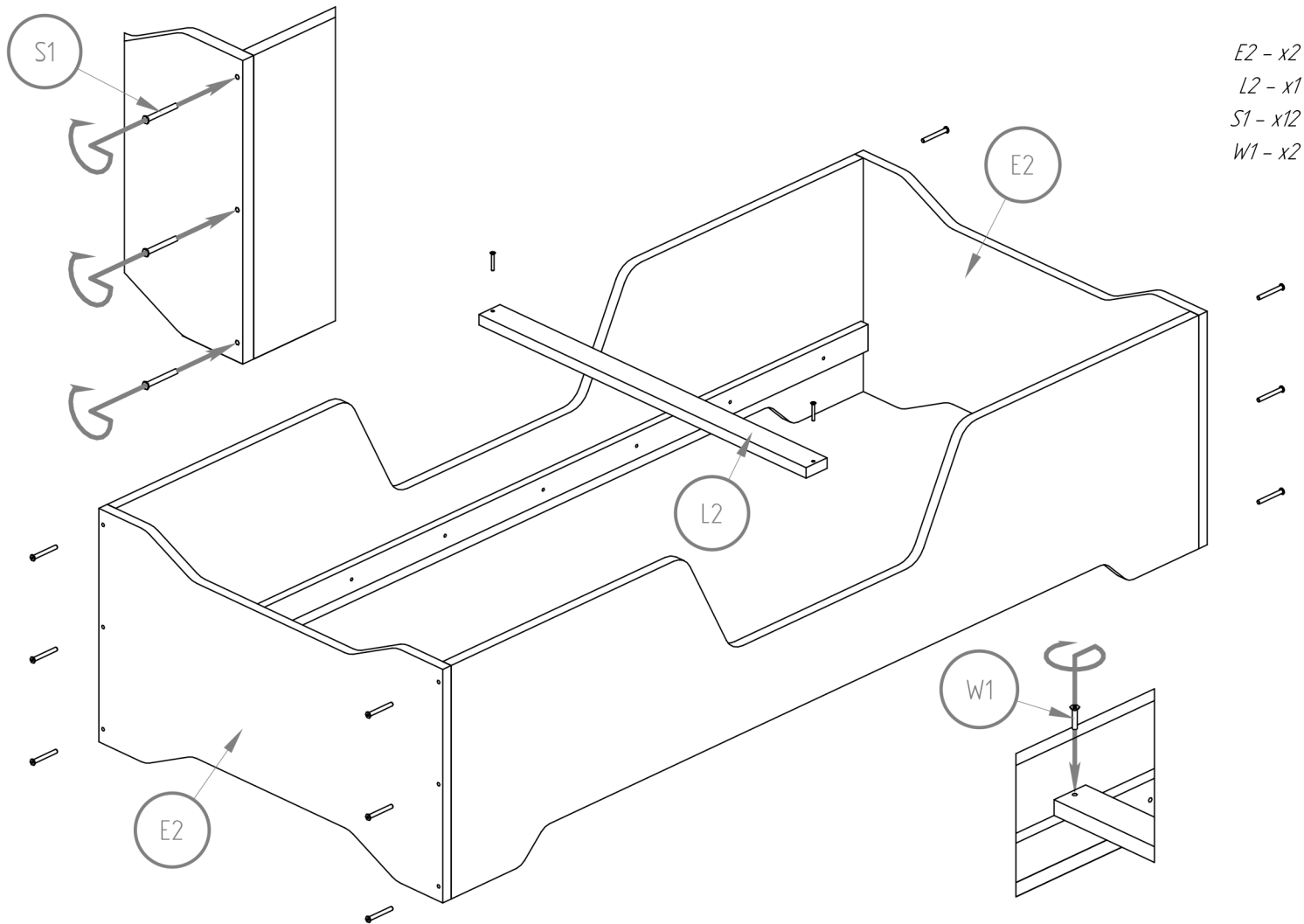


E1 - x2
L1 - x2
W1 - x16

W1

E1

L1

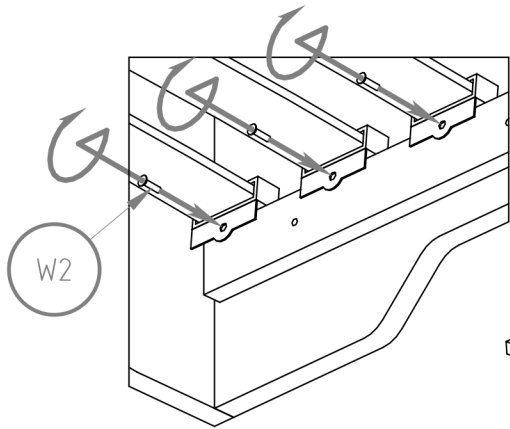


E2 - x2

L2 - x1

S1 - x12

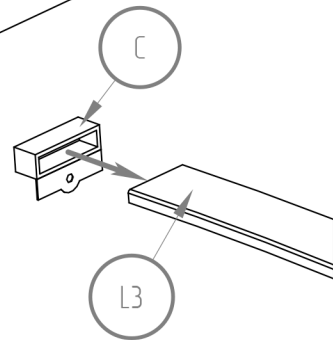
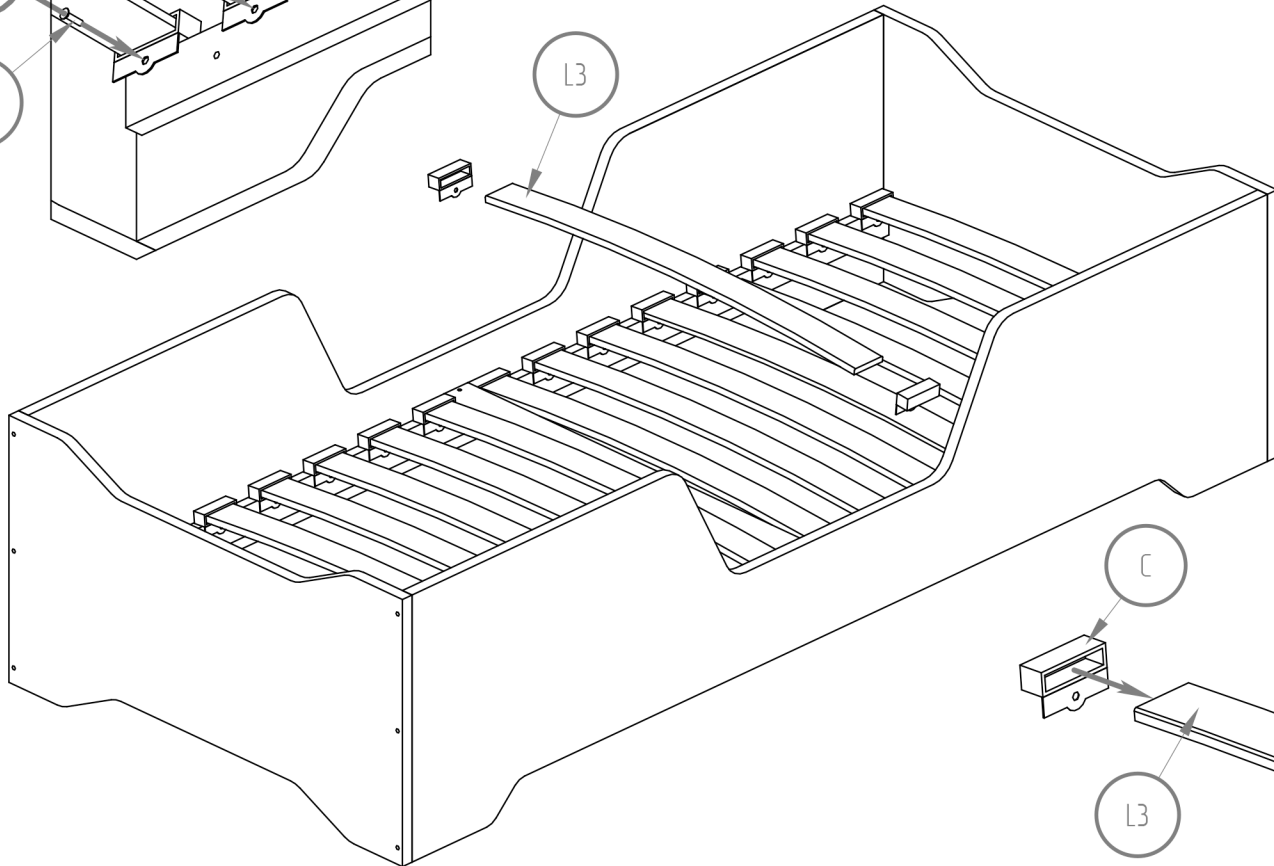
W1 - x2



C - x32

L3 - x32

W2 - x32



BLOX 2

60x120 70x140 70x160

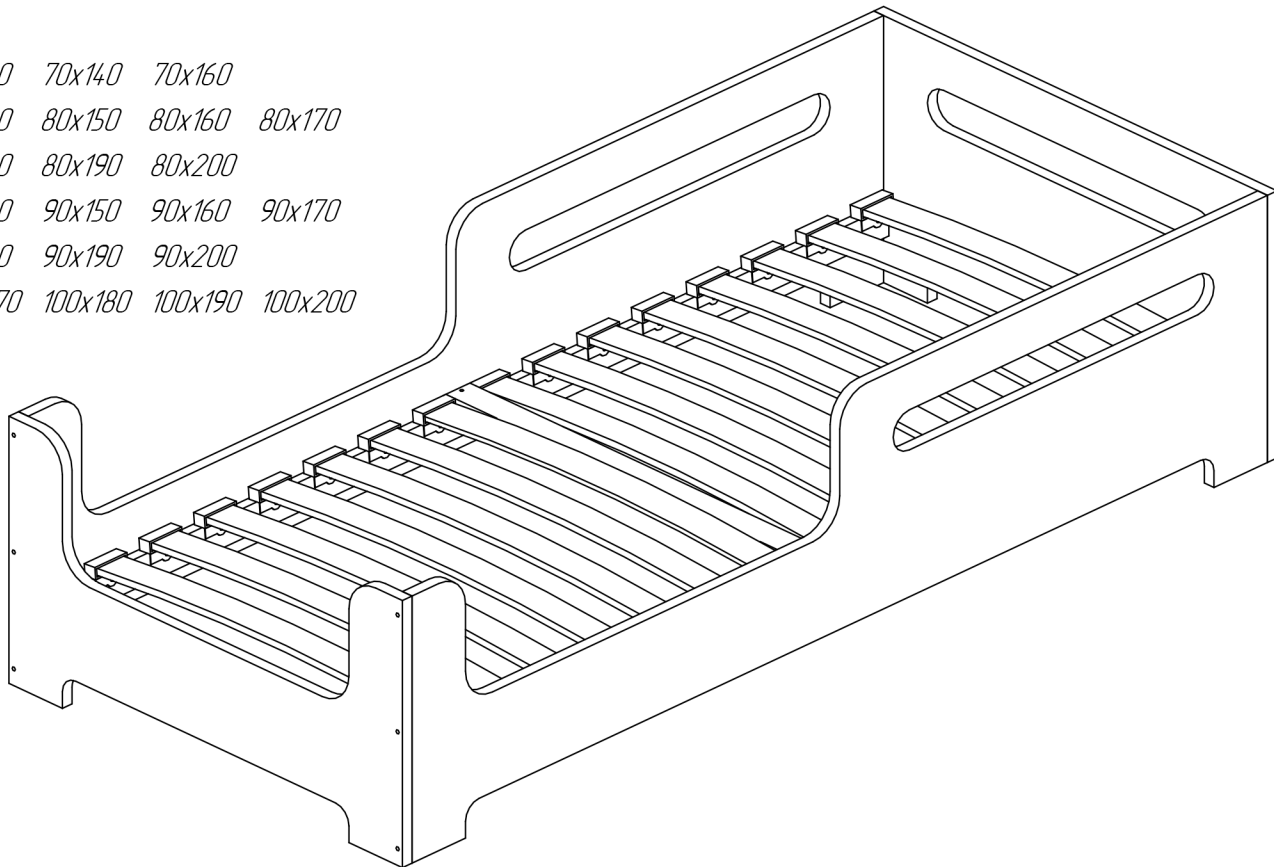
80x140 80x150 80x160 80x170

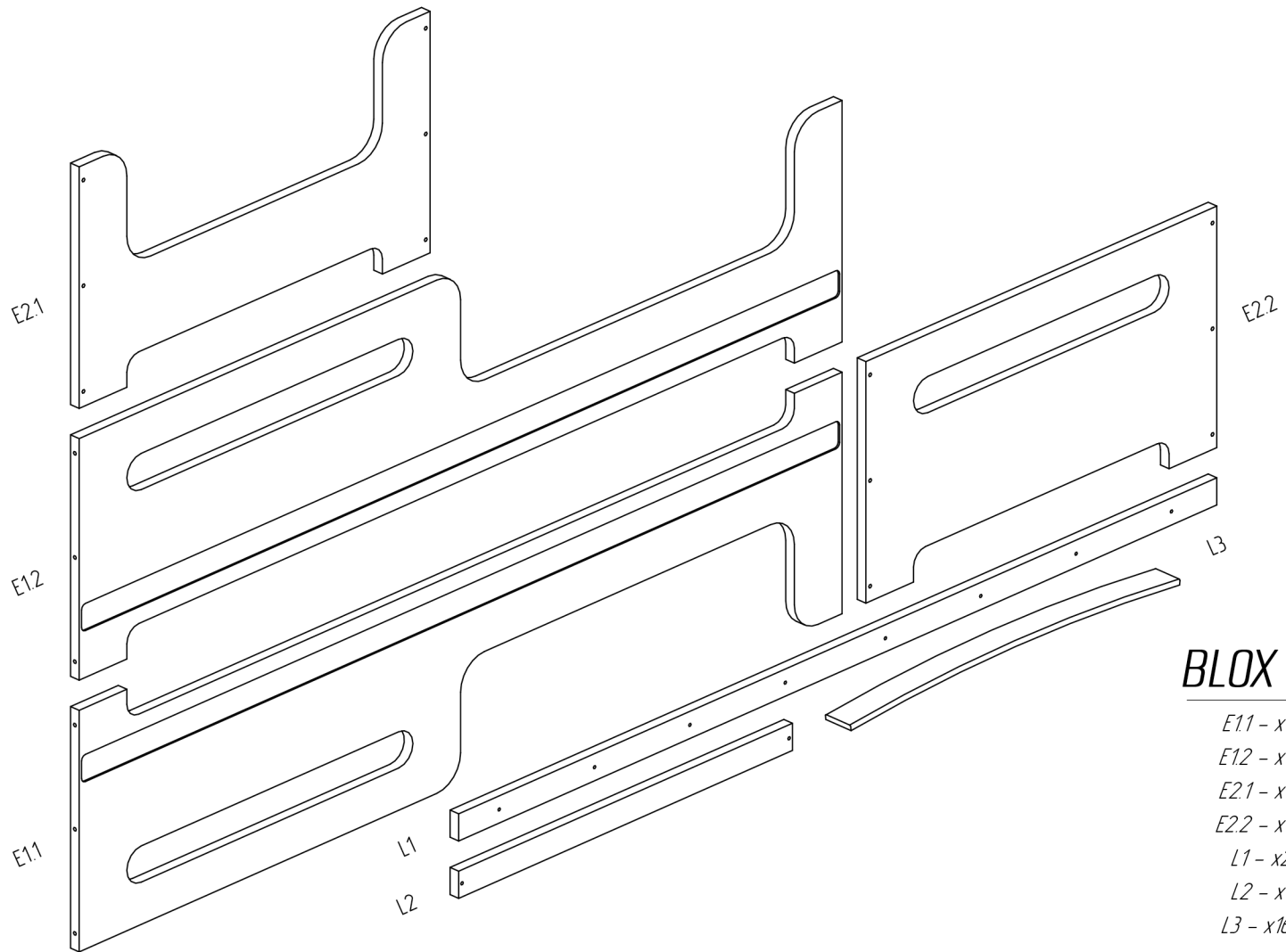
80x180 80x190 80x200

90x140 90x150 90x160 90x170

90x180 90x190 90x200

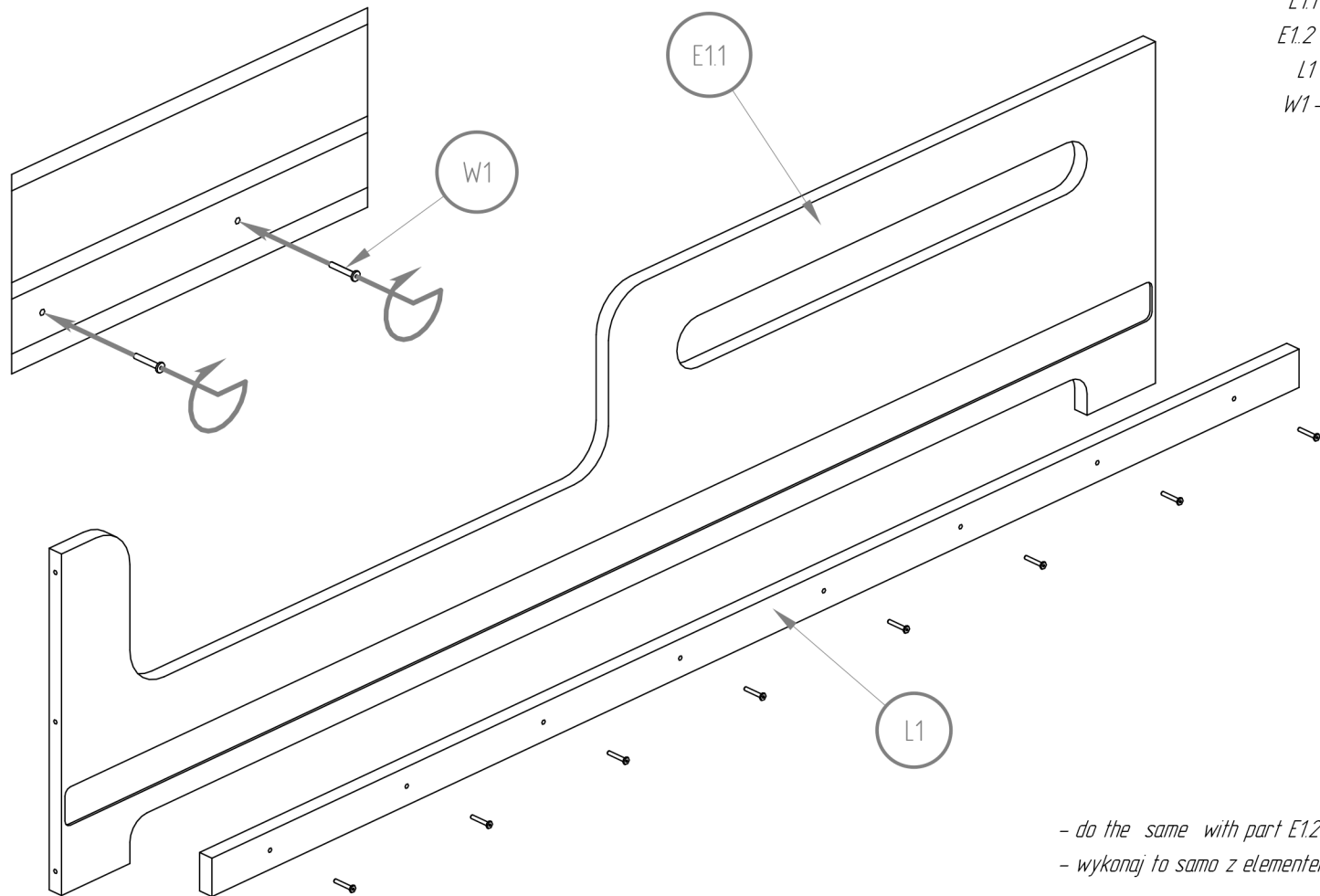
100x170 100x180 100x190 100x200





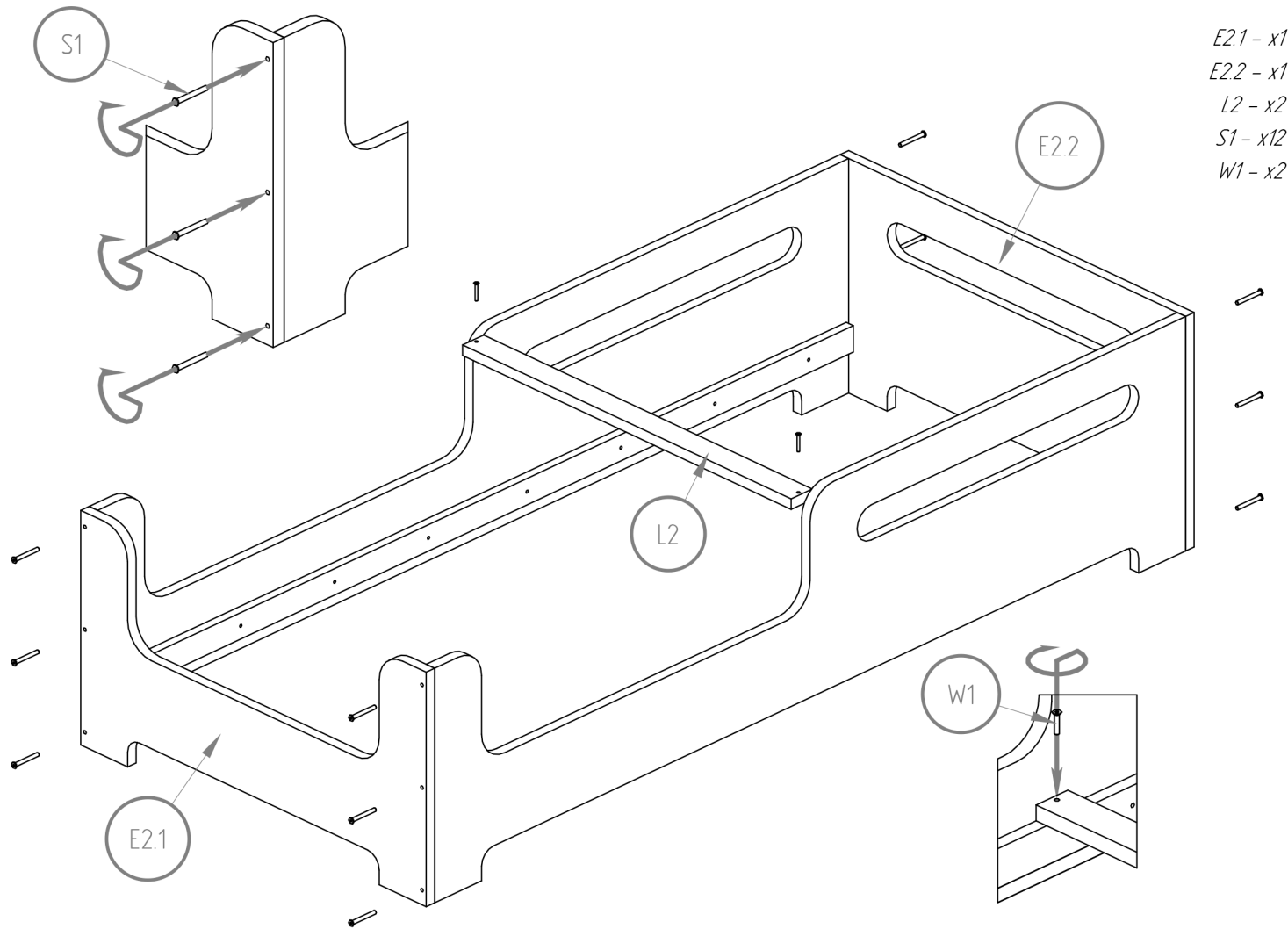
BLOX 2

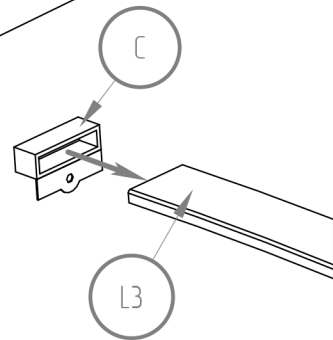
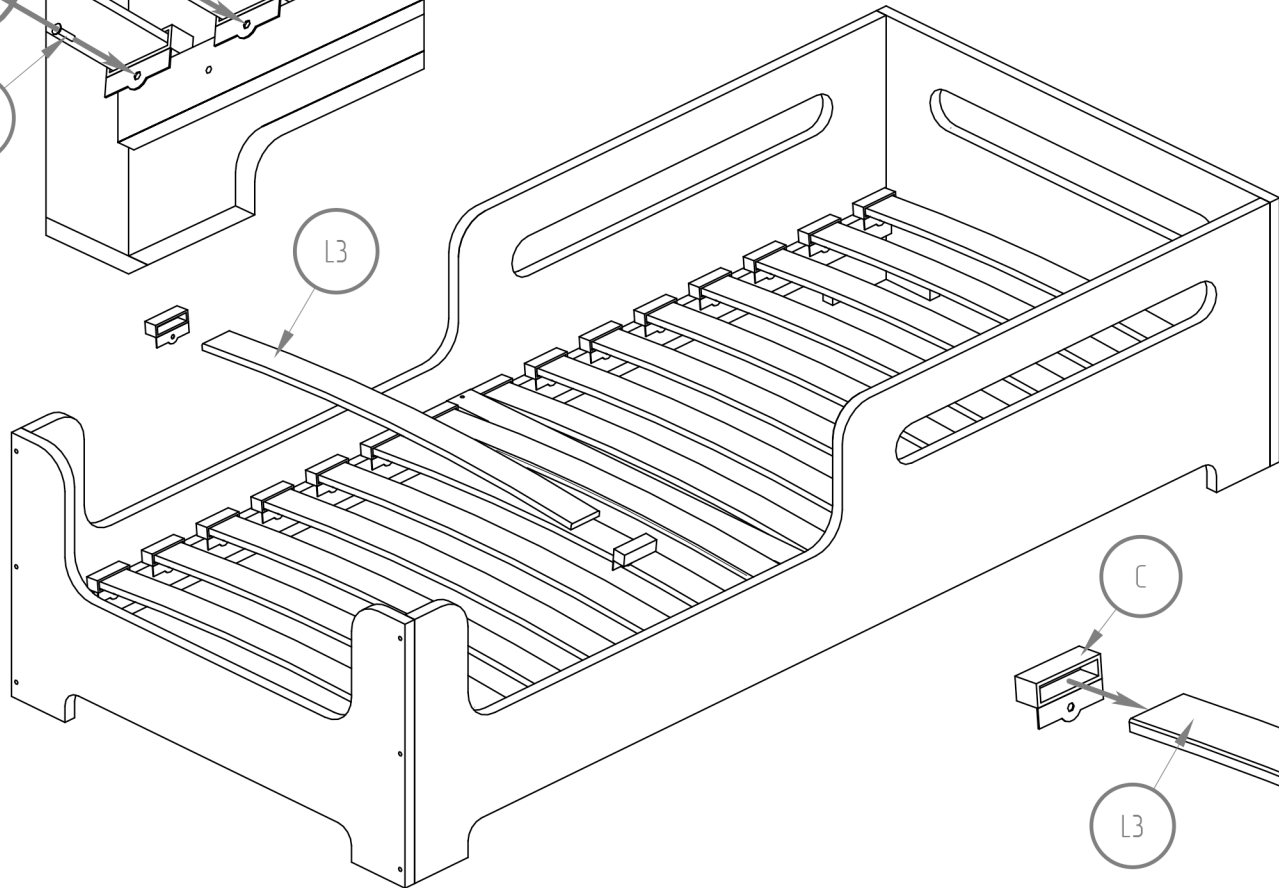
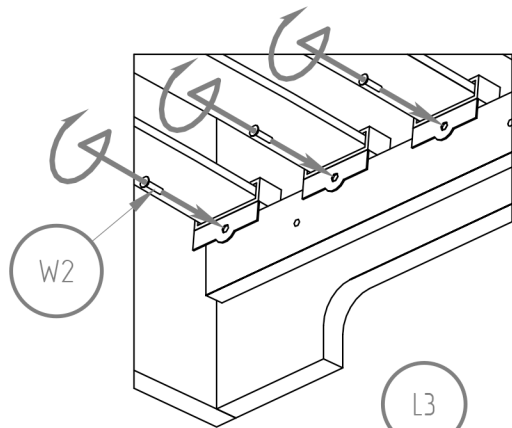
- E11 - x1*
- E12 - x1*
- E21 - x1*
- E22 - x1*
- L1 - x2*
- L2 - x1*
- L3 - x16*



- E11 - x1
- E1.2 - x2
- L1 - x2
- W1 - x16

- do the same with part E12
- wykonaj to samo z elementem E1.2





L3 - x16
C - x32
W2 - x32

BLOX 3

60x120 70x140 70x160

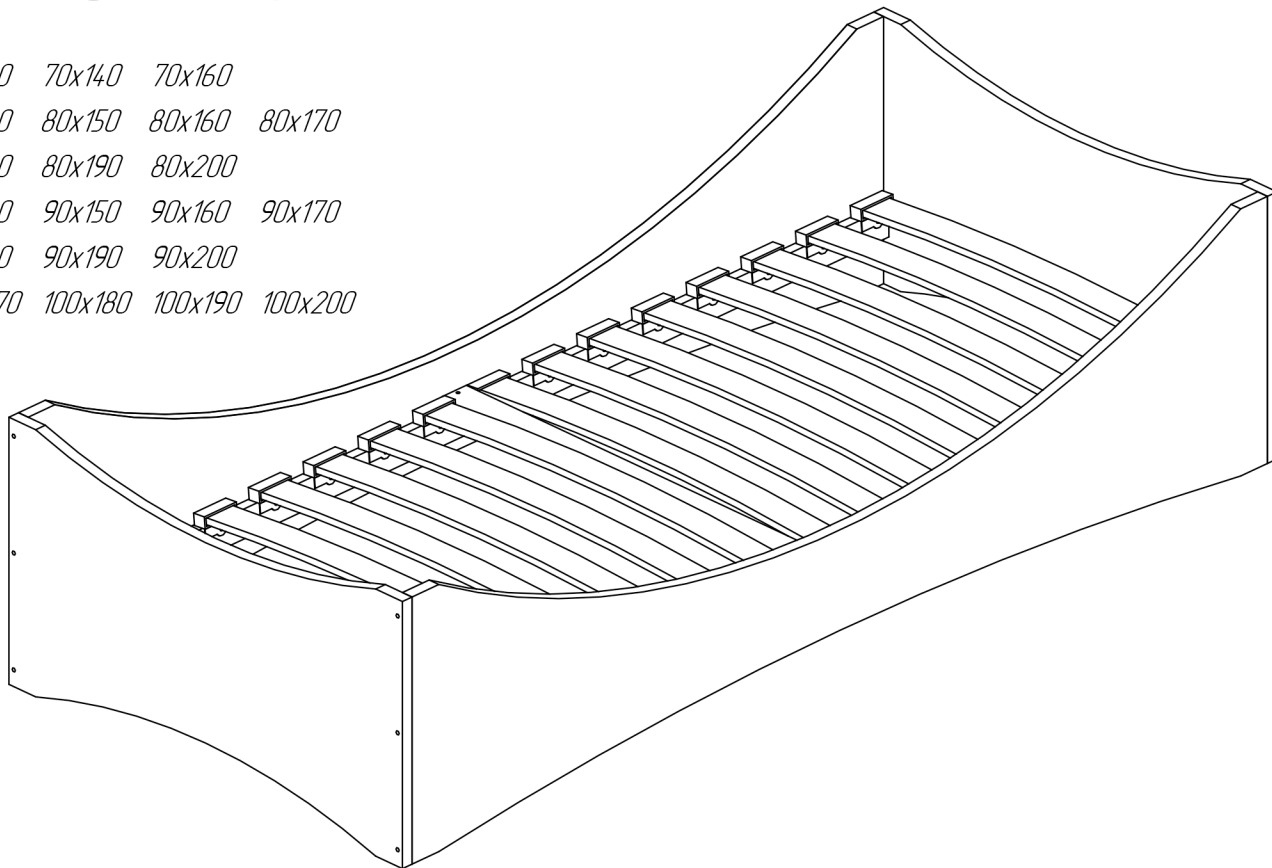
80x140 80x150 80x160 80x170

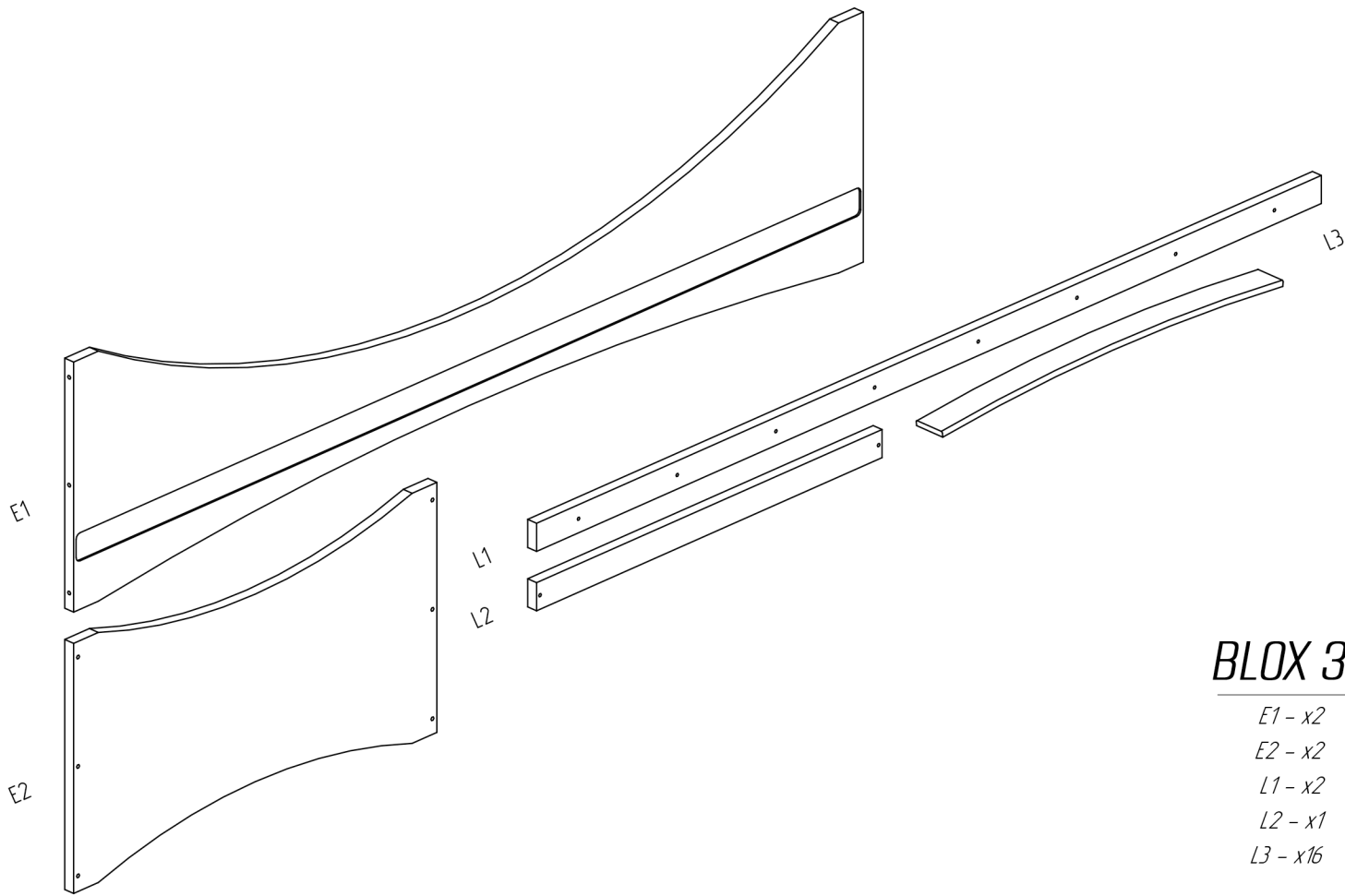
80x180 80x190 80x200

90x140 90x150 90x160 90x170

90x180 90x190 90x200

100x170 100x180 100x190 100x200





BLOX 3

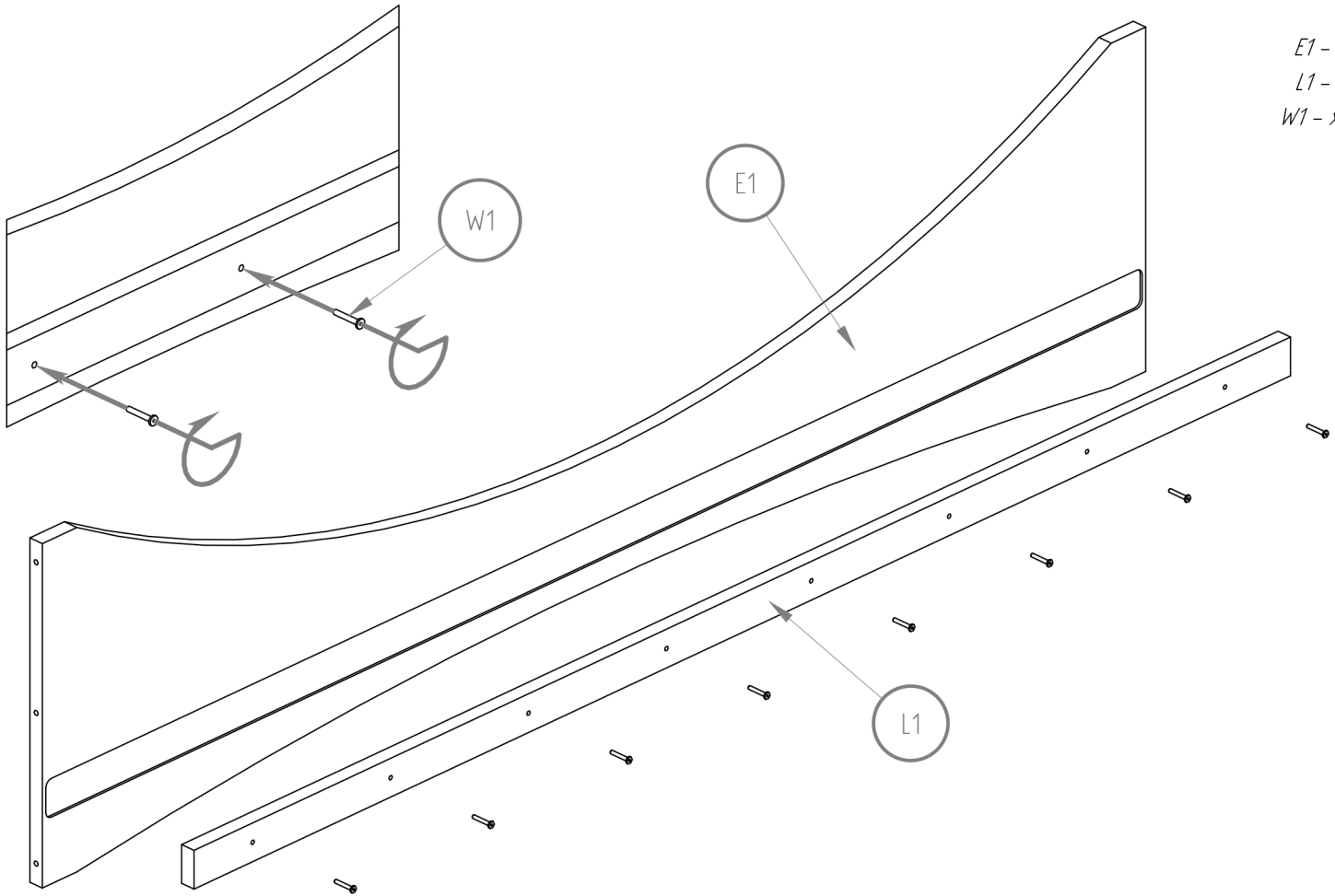
E1 - x2

E2 - x2

L1 - x2

L2 - x1

L3 - x16

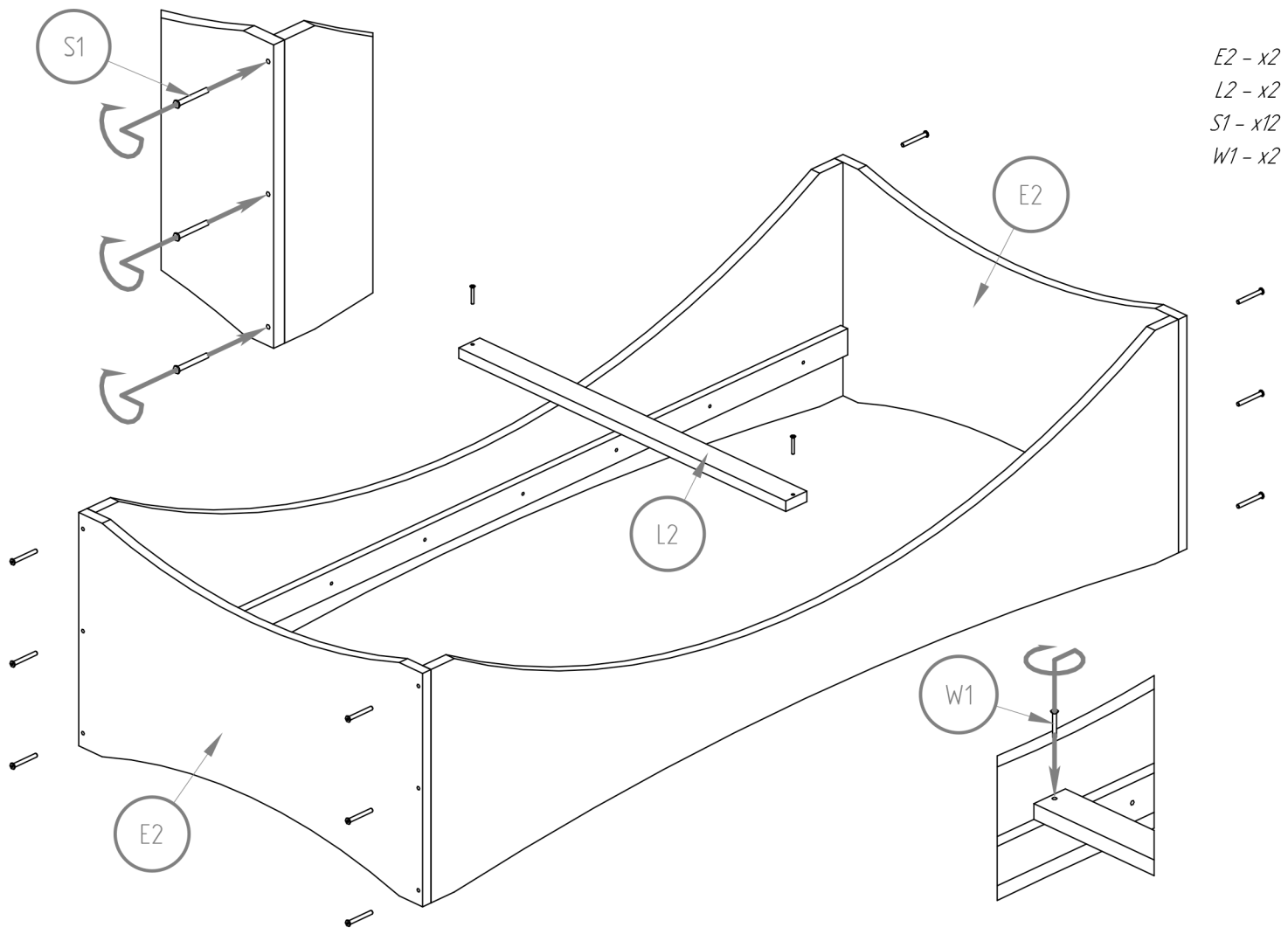


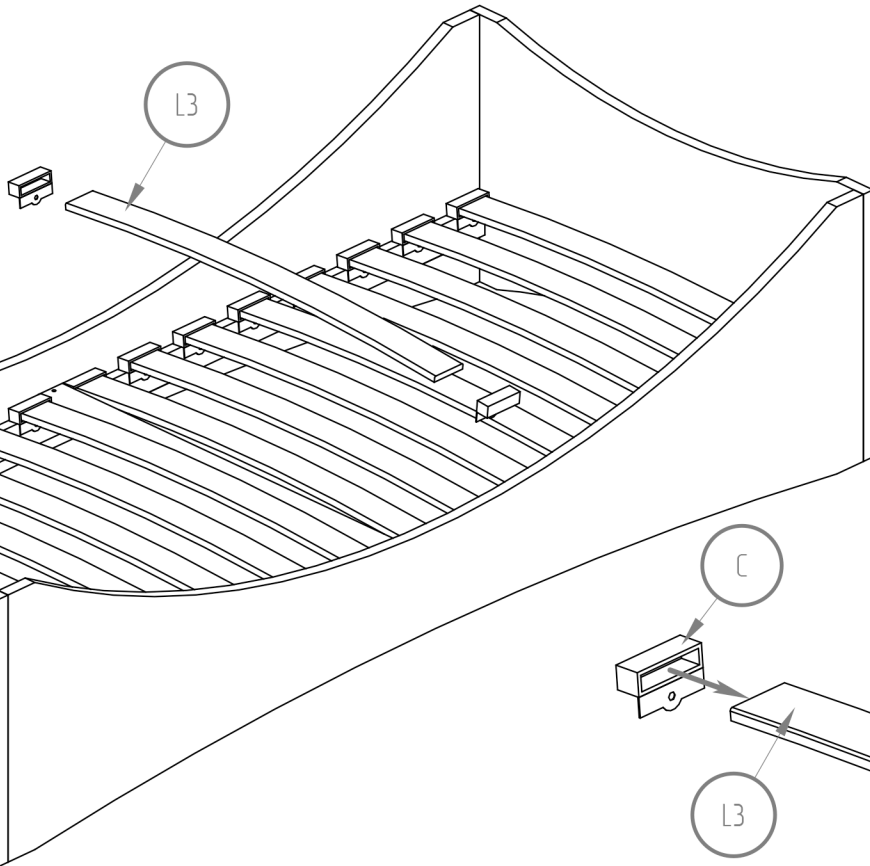
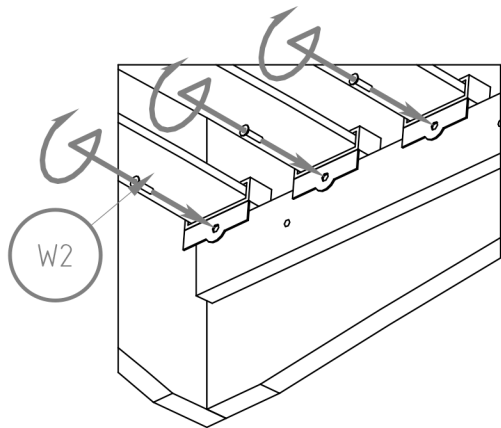
E1 - x2
L1 - x2
W1 - x16

L1

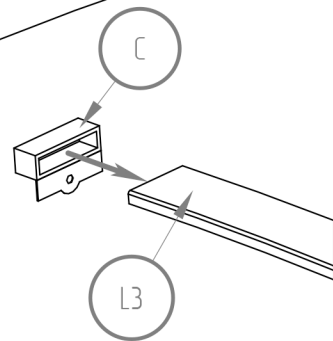
W1

E1





L3 - x16
C - x32
W2 - x32



BLOX 4

Ver. 1

60x120 70x140 70x160

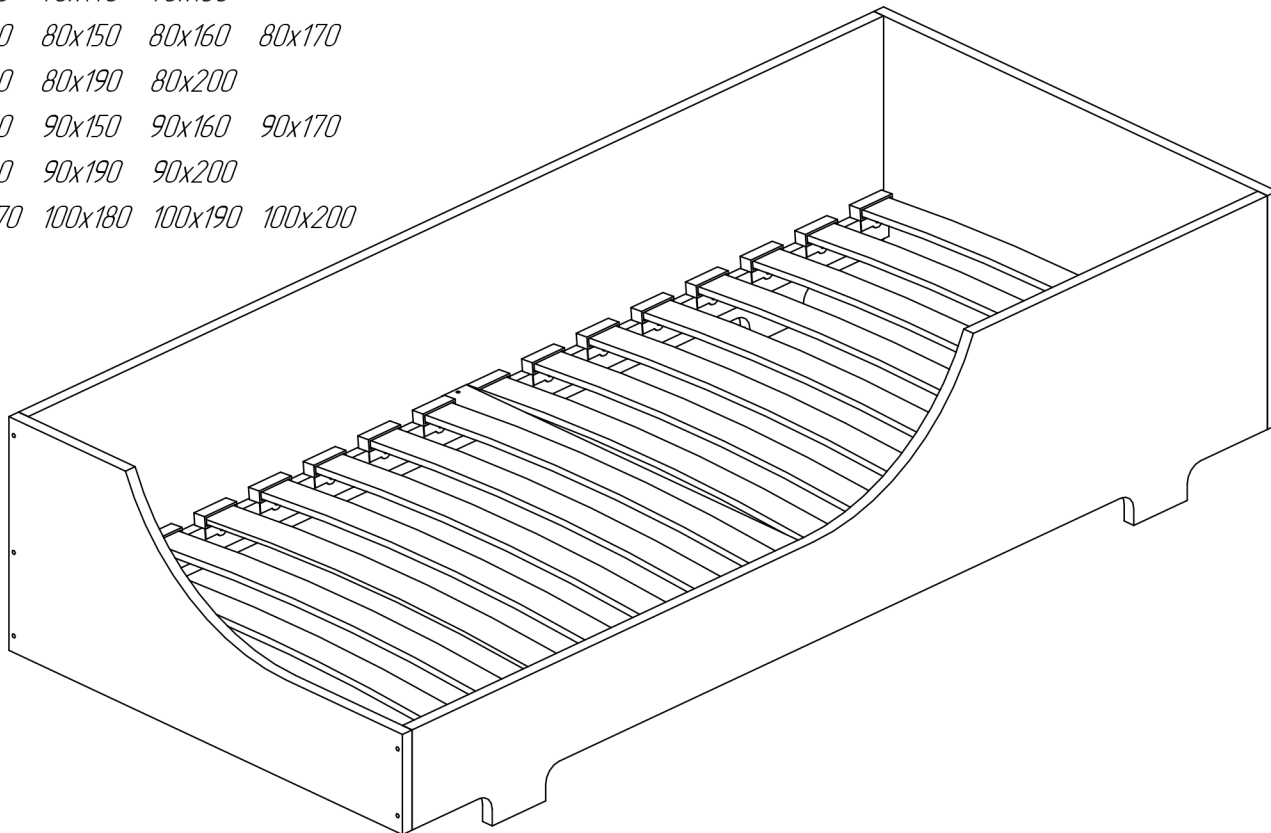
80x140 80x150 80x160 80x170

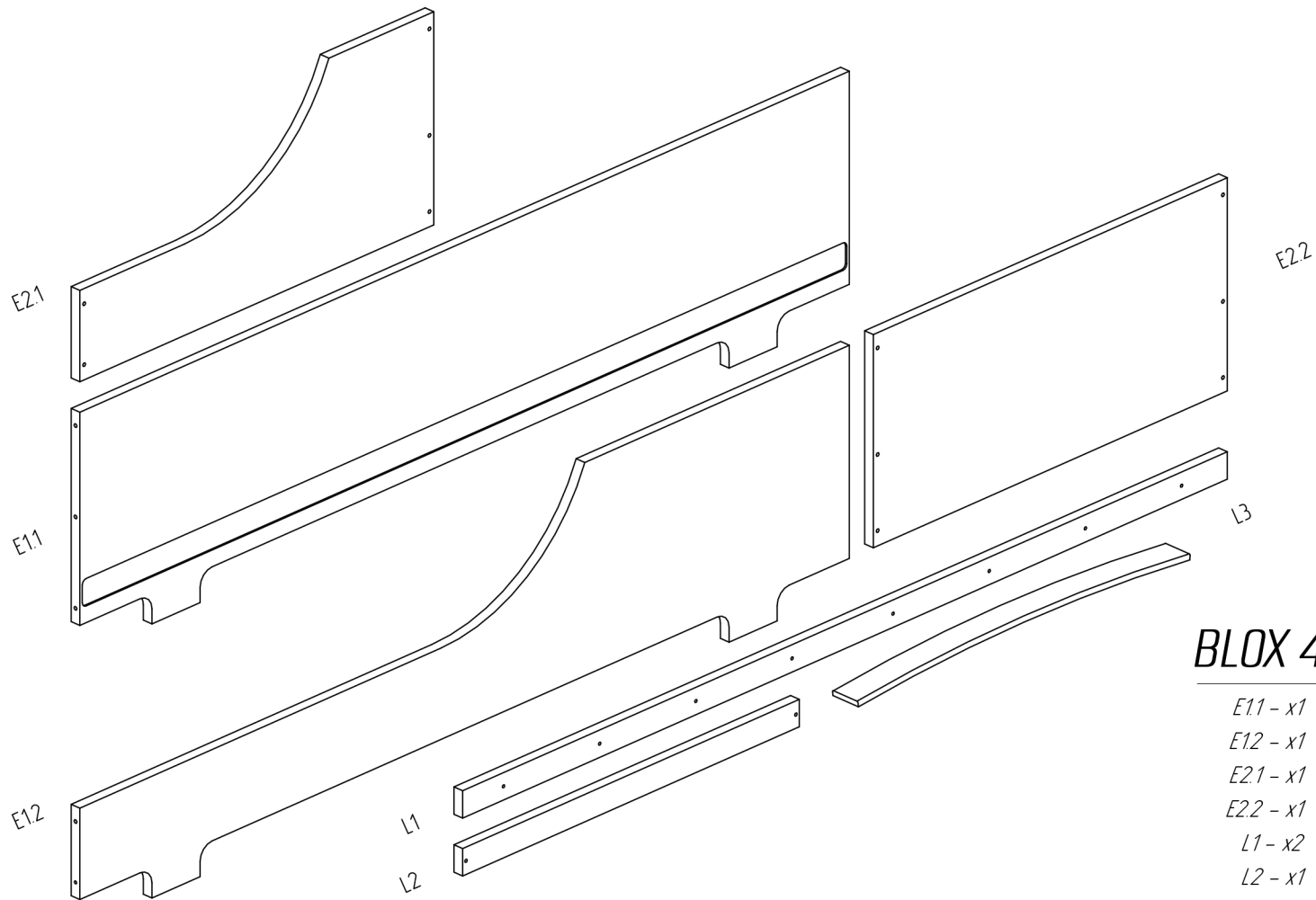
80x180 80x190 80x200

90x140 90x150 90x160 90x170

90x180 90x190 90x200

100x170 100x180 100x190 100x200





BLOX 4

E11 - x1

E12 - x1

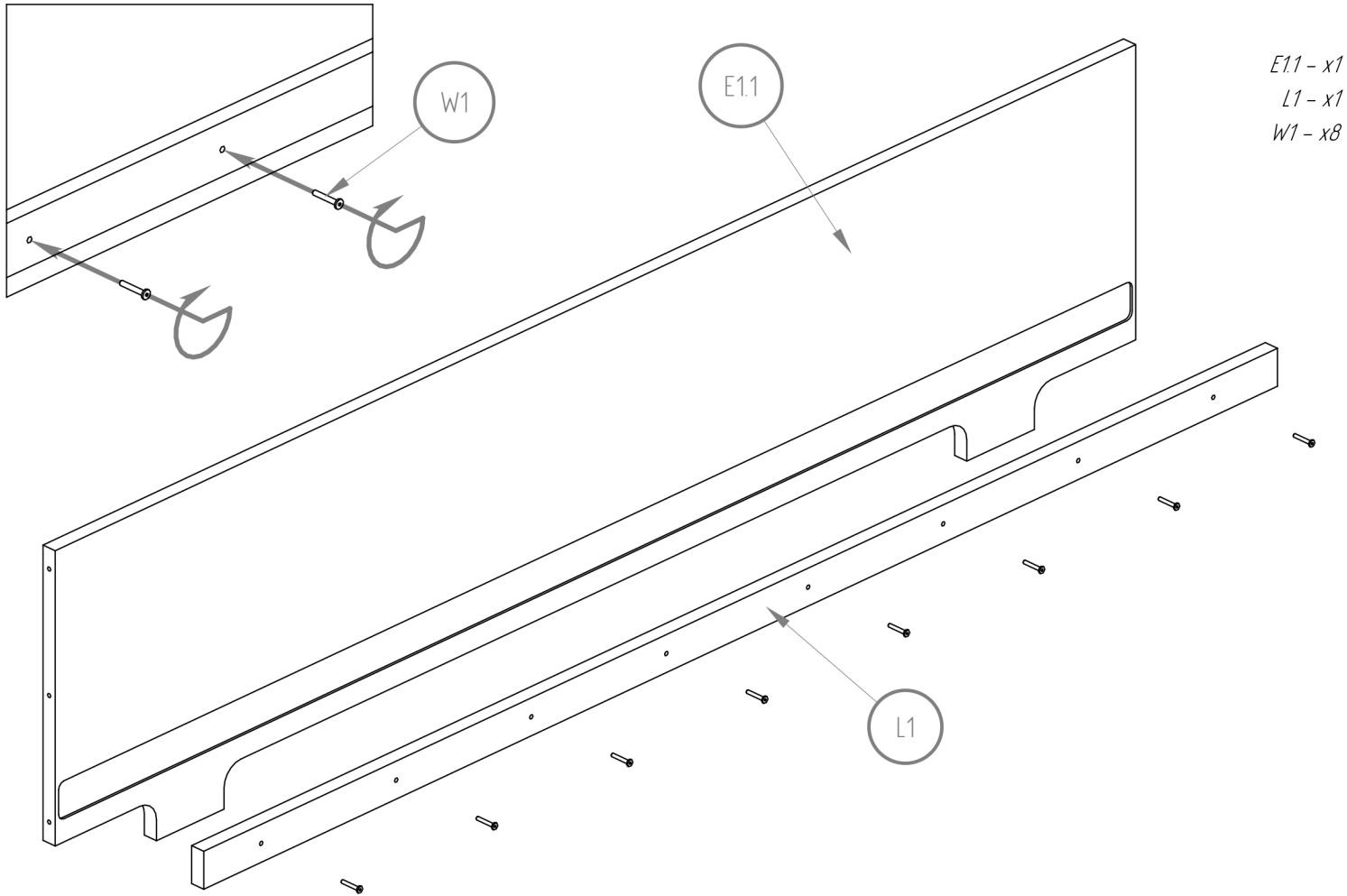
E21 - x1

E22 - x1

L1 - x2

L2 - x1

L3 - x16



E1.1 - x1

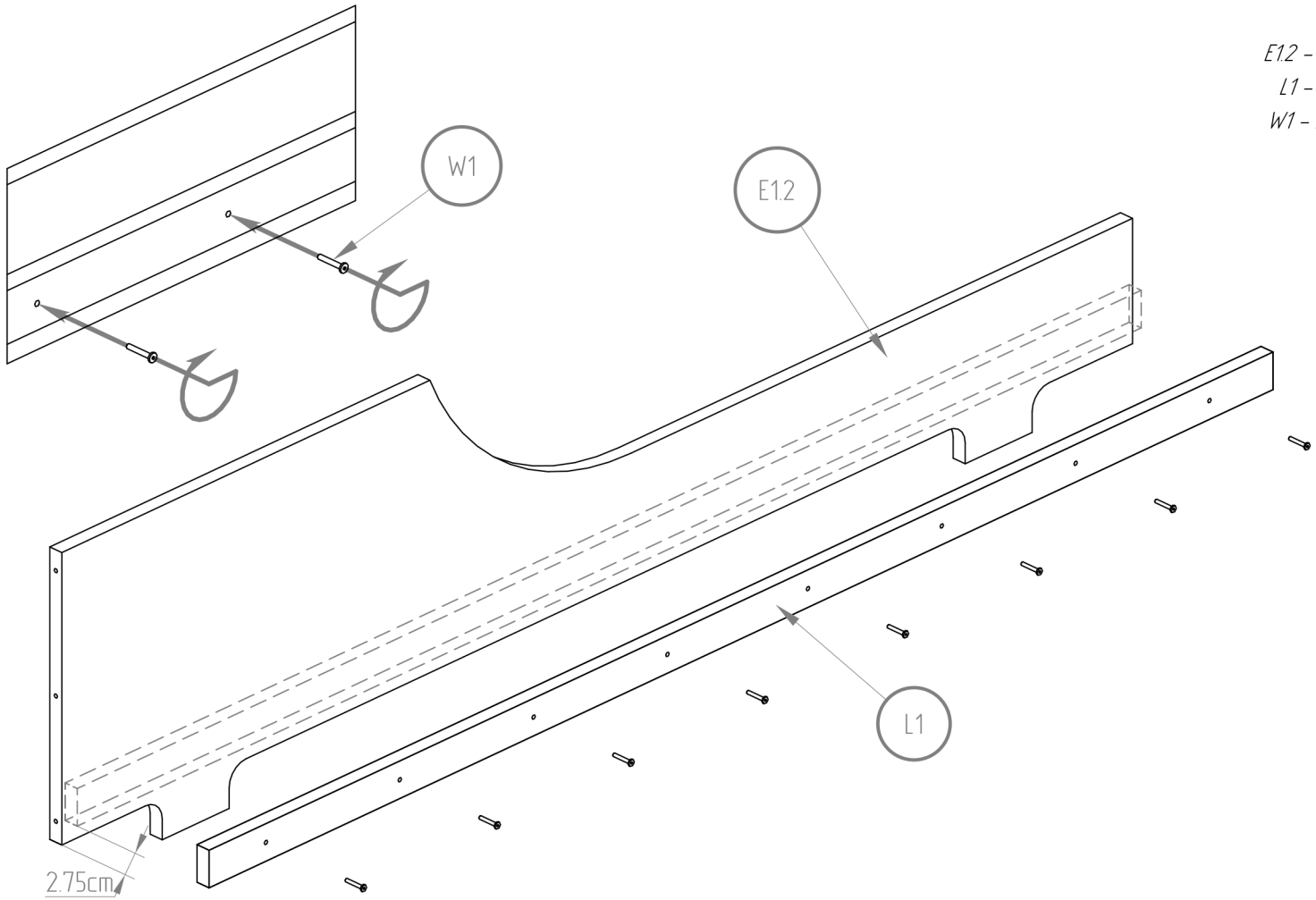
L1 - x1

W1 - x8

L1

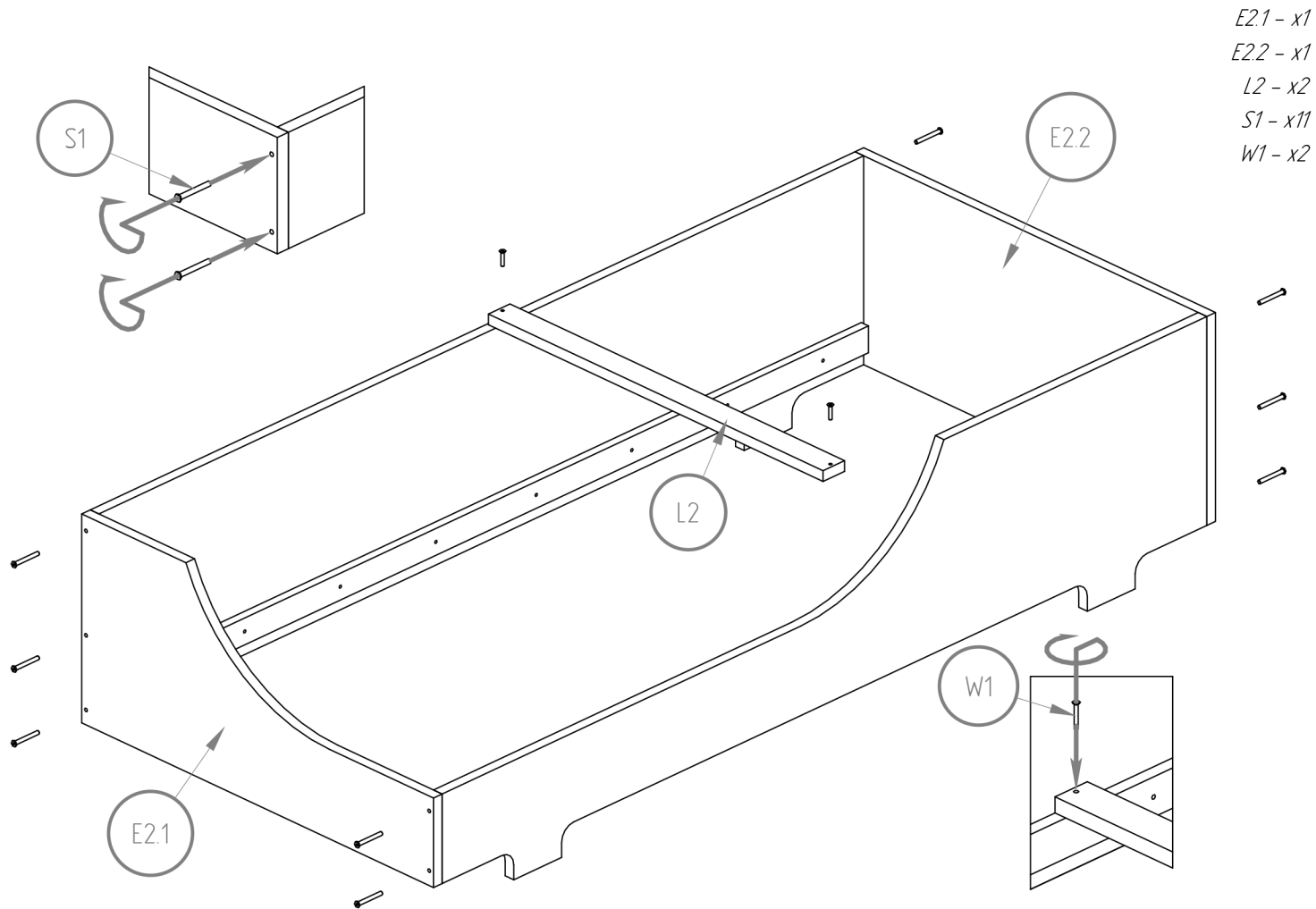
W1

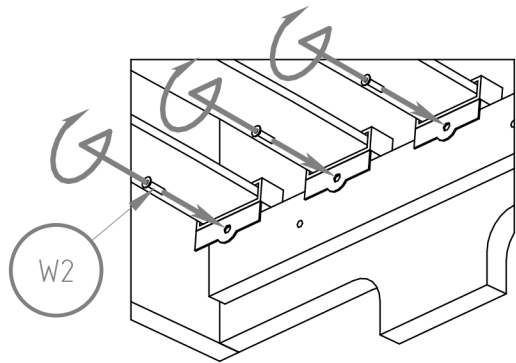
E1.1



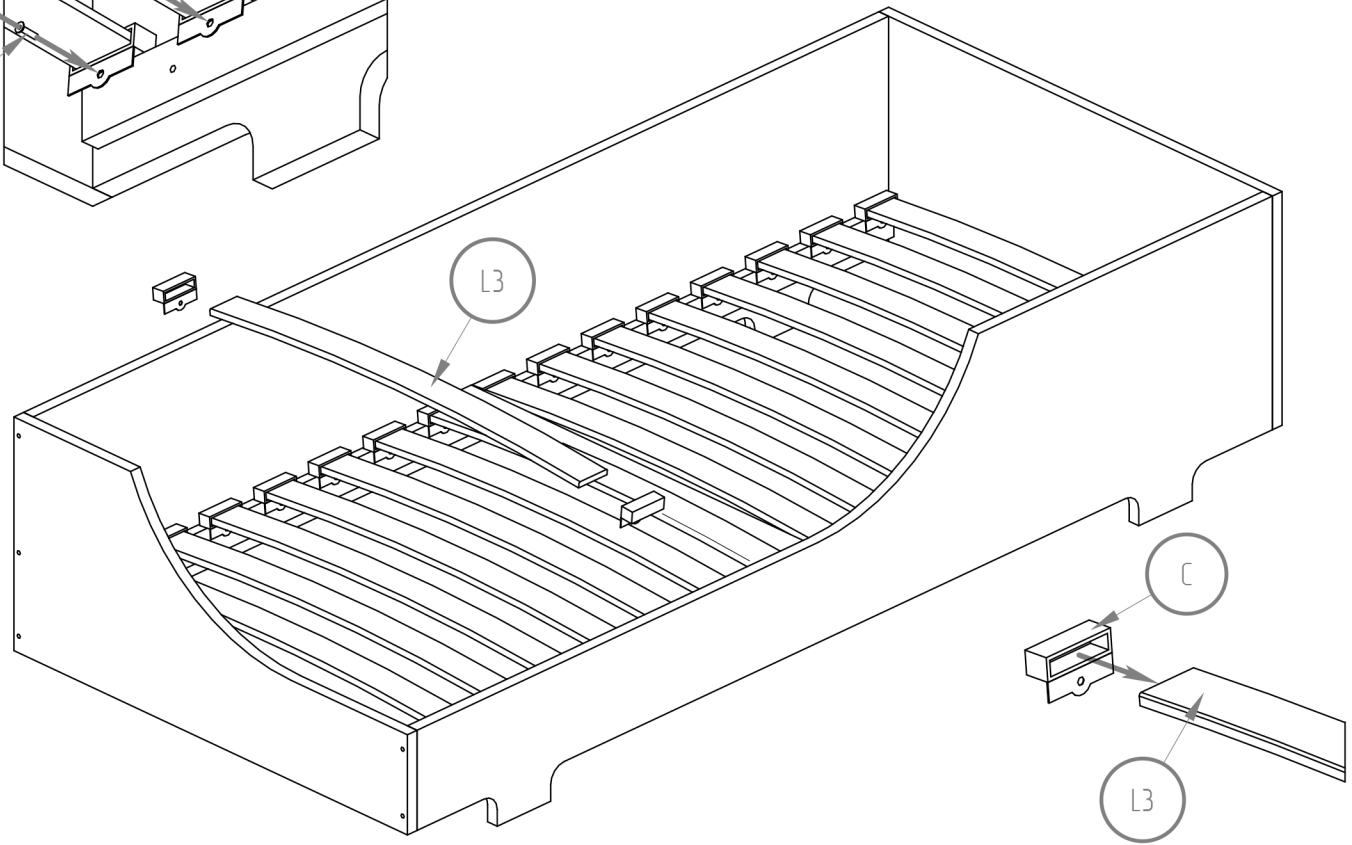
E12 - x1
L1 - x1
W1 - x8

2.75cm





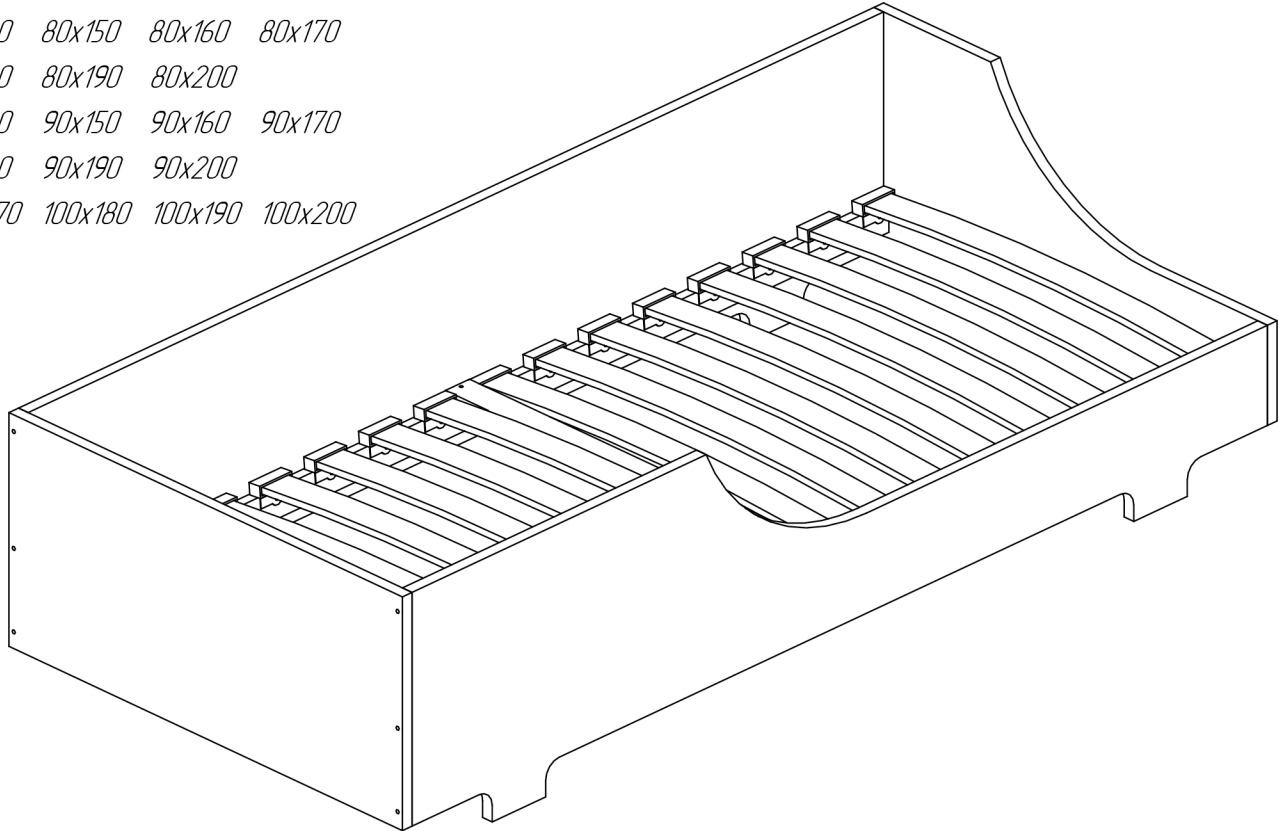
L3 - x16
C - x32
W2 - x32

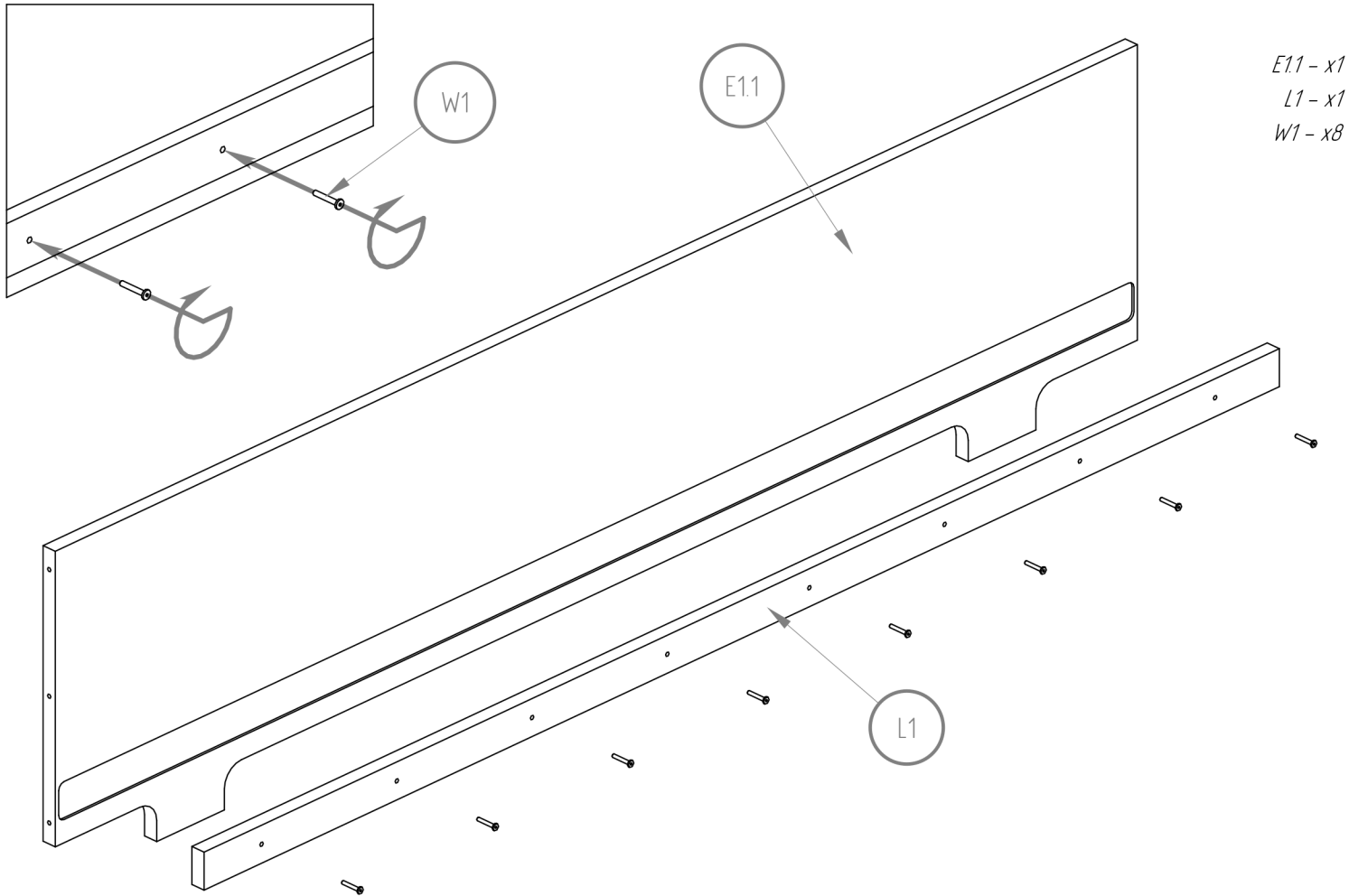


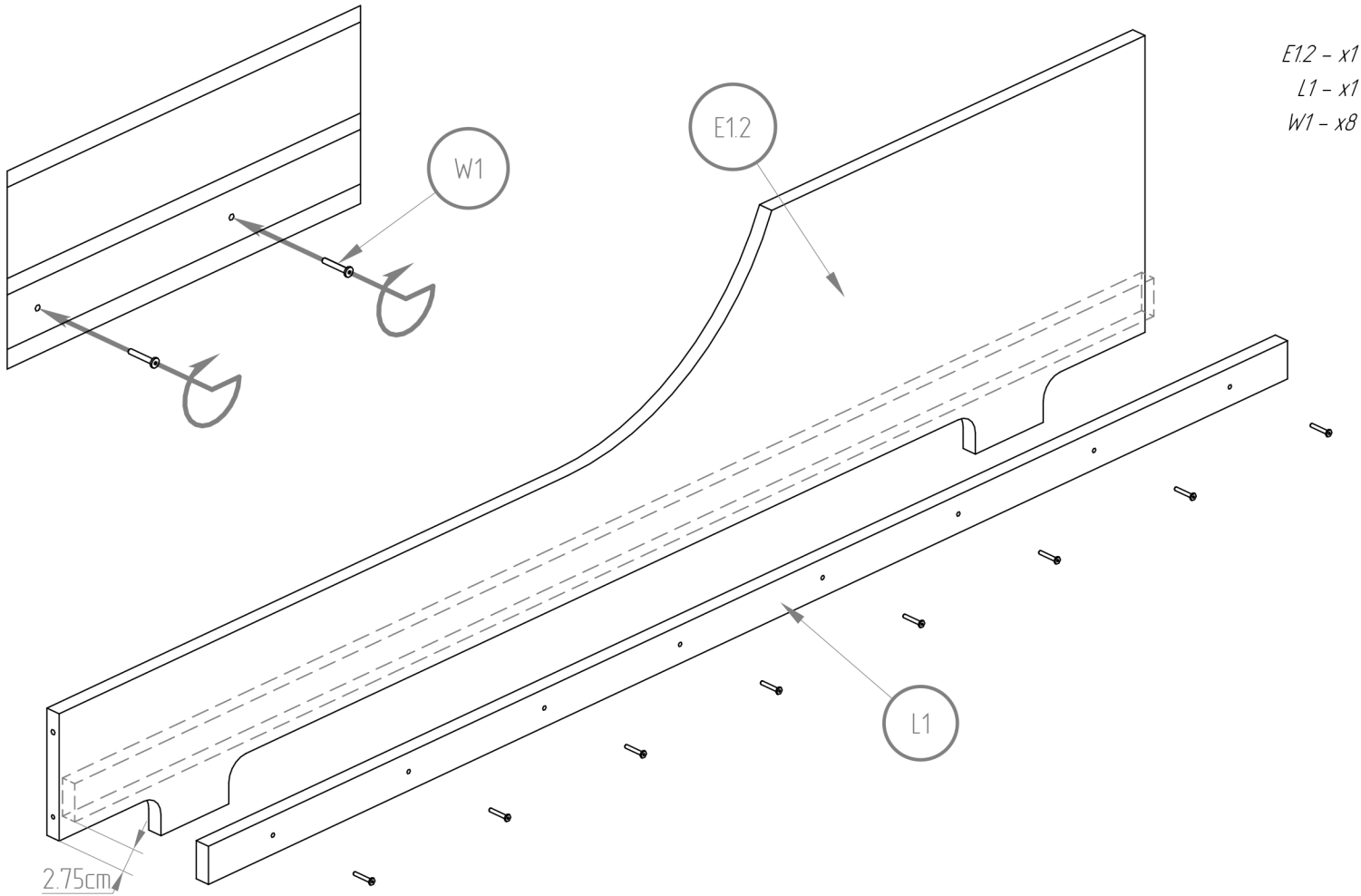
BLOX 4

Ver. 2

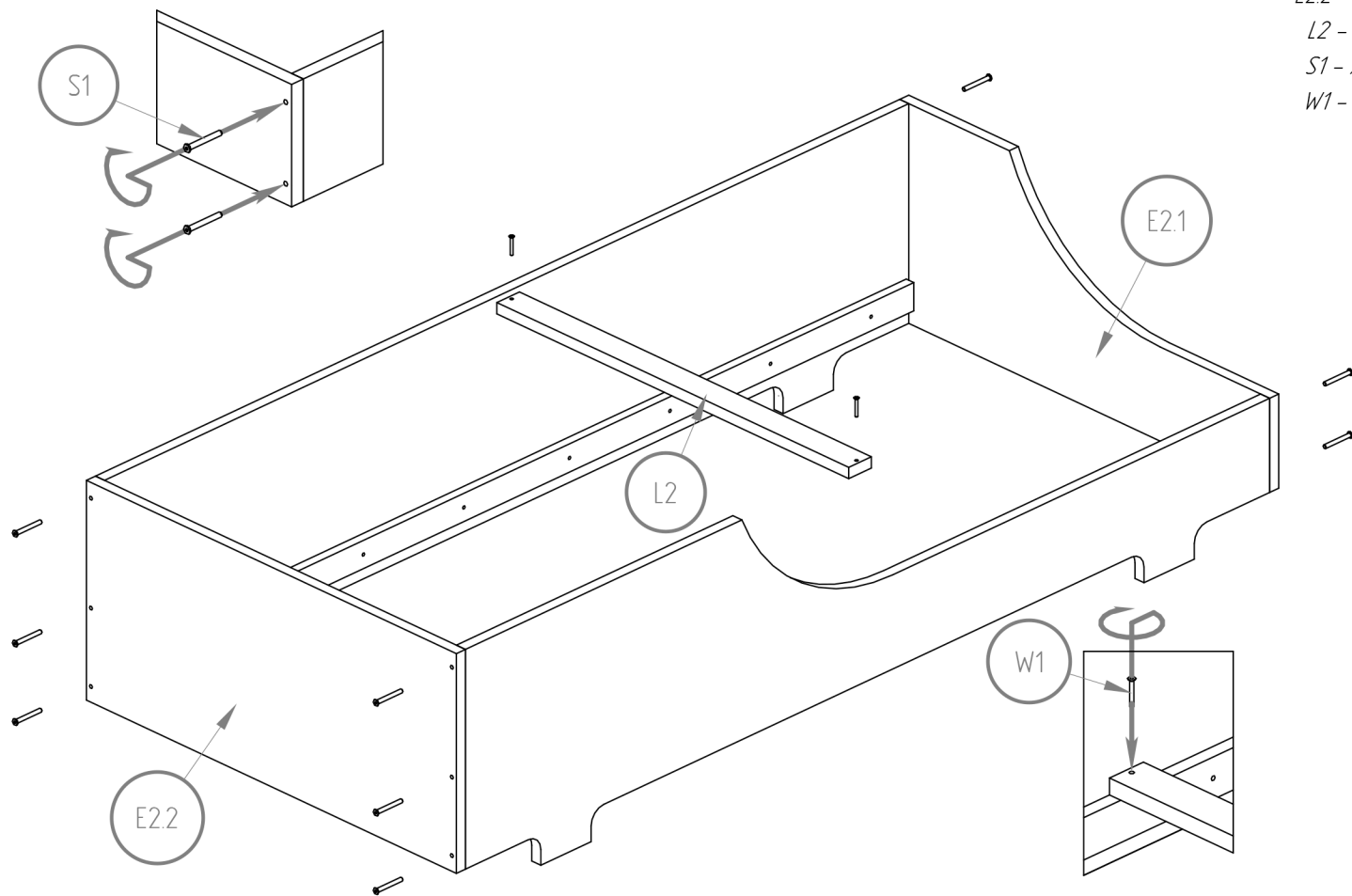
60x120 70x140 70x160
80x140 80x150 80x160 80x170
80x180 80x190 80x200
90x140 90x150 90x160 90x170
90x180 90x190 90x200
100x170 100x180 100x190 100x200

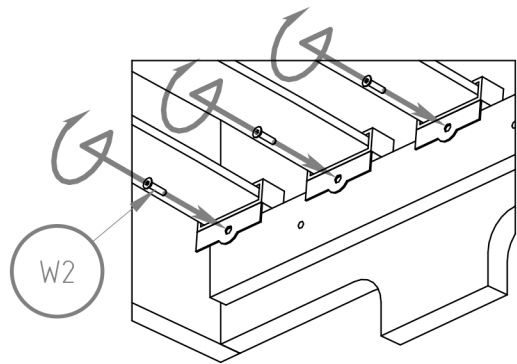






E2.1 - x1
E2.2 - x1
L2 - x2
S1 - x11
W1 - x2



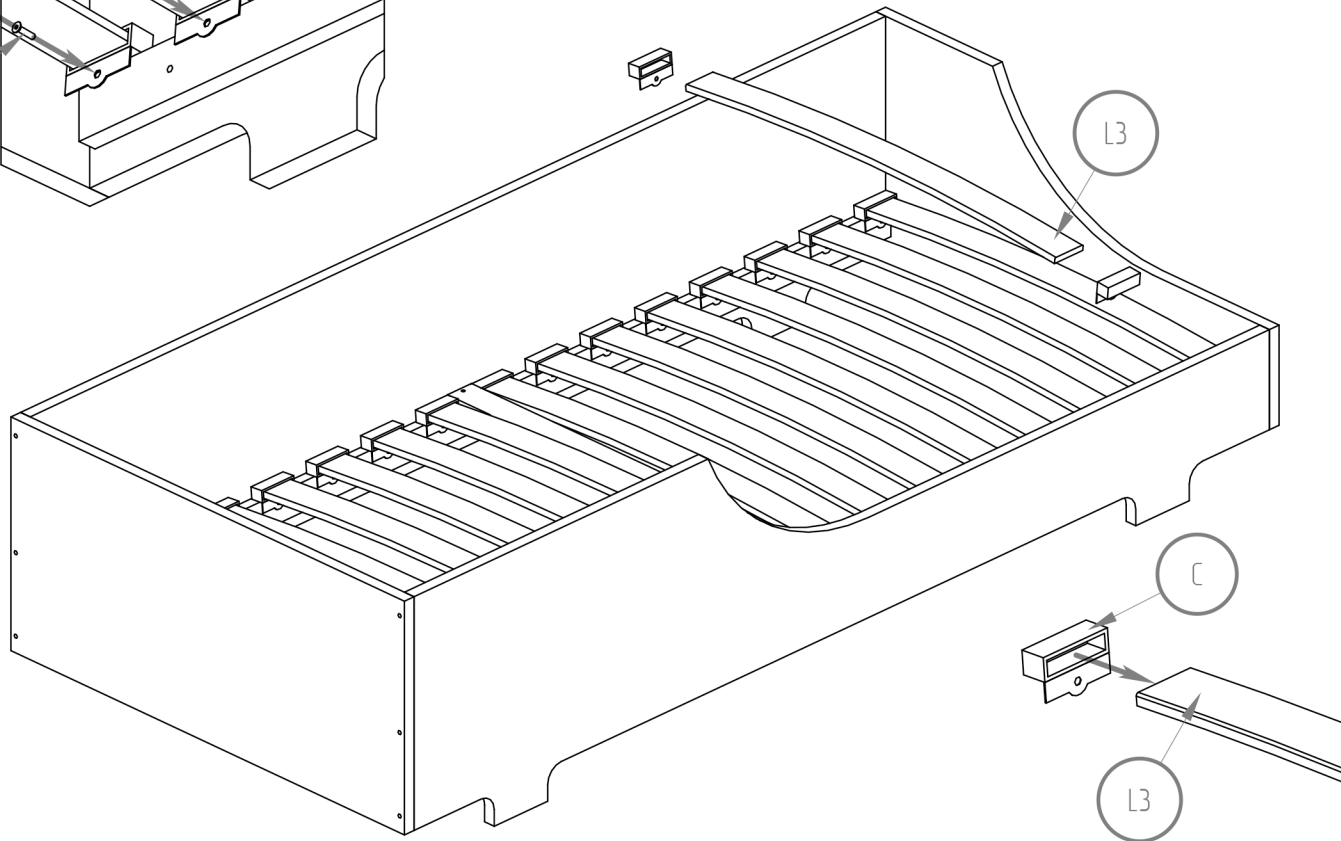


W2

L3 - x16

C - x32

W2 - x32



L3

C

L3

BLOX 5

60x120 70x140 70x160

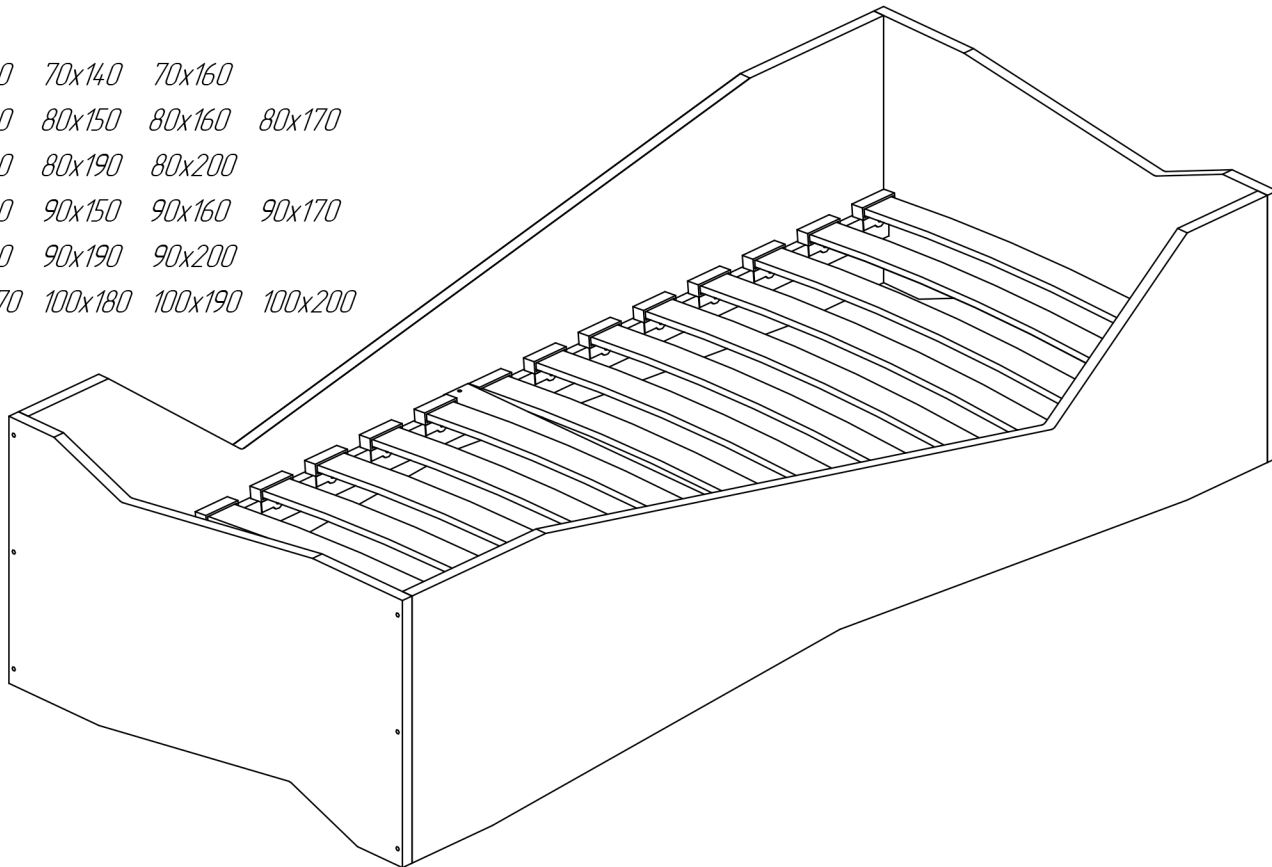
80x140 80x150 80x160 80x170

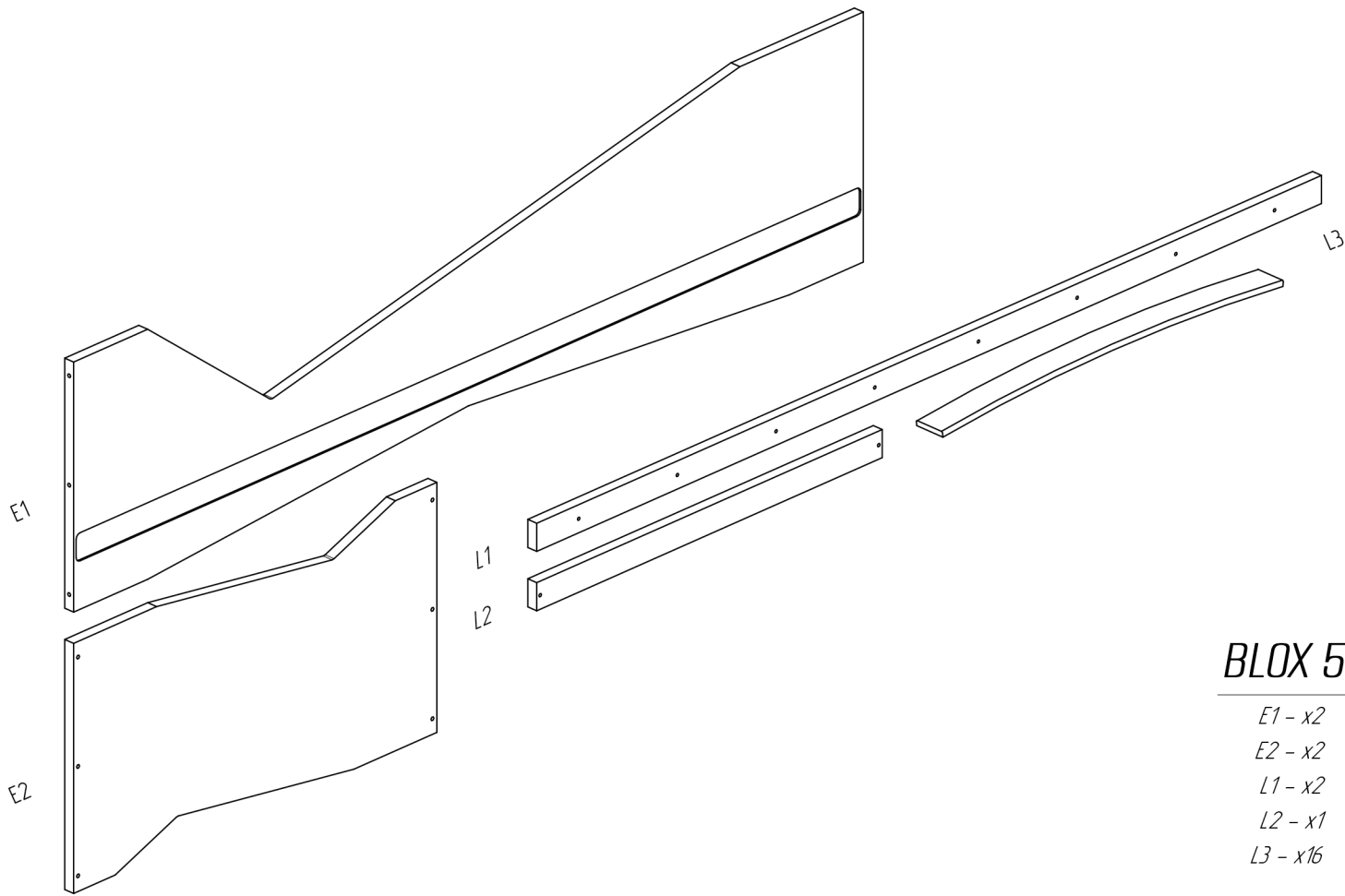
80x180 80x190 80x200

90x140 90x150 90x160 90x170

90x180 90x190 90x200

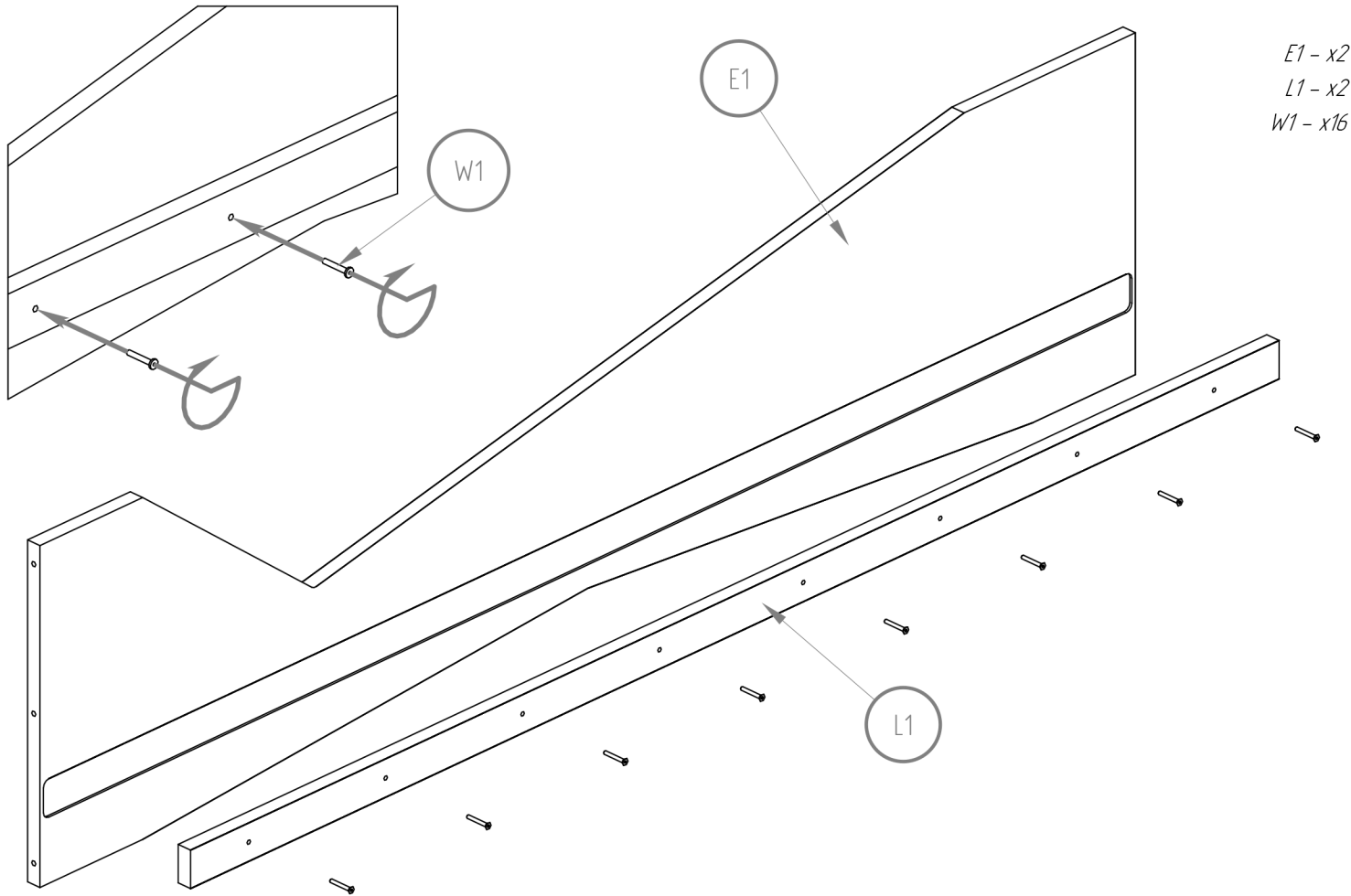
100x170 100x180 100x190 100x200



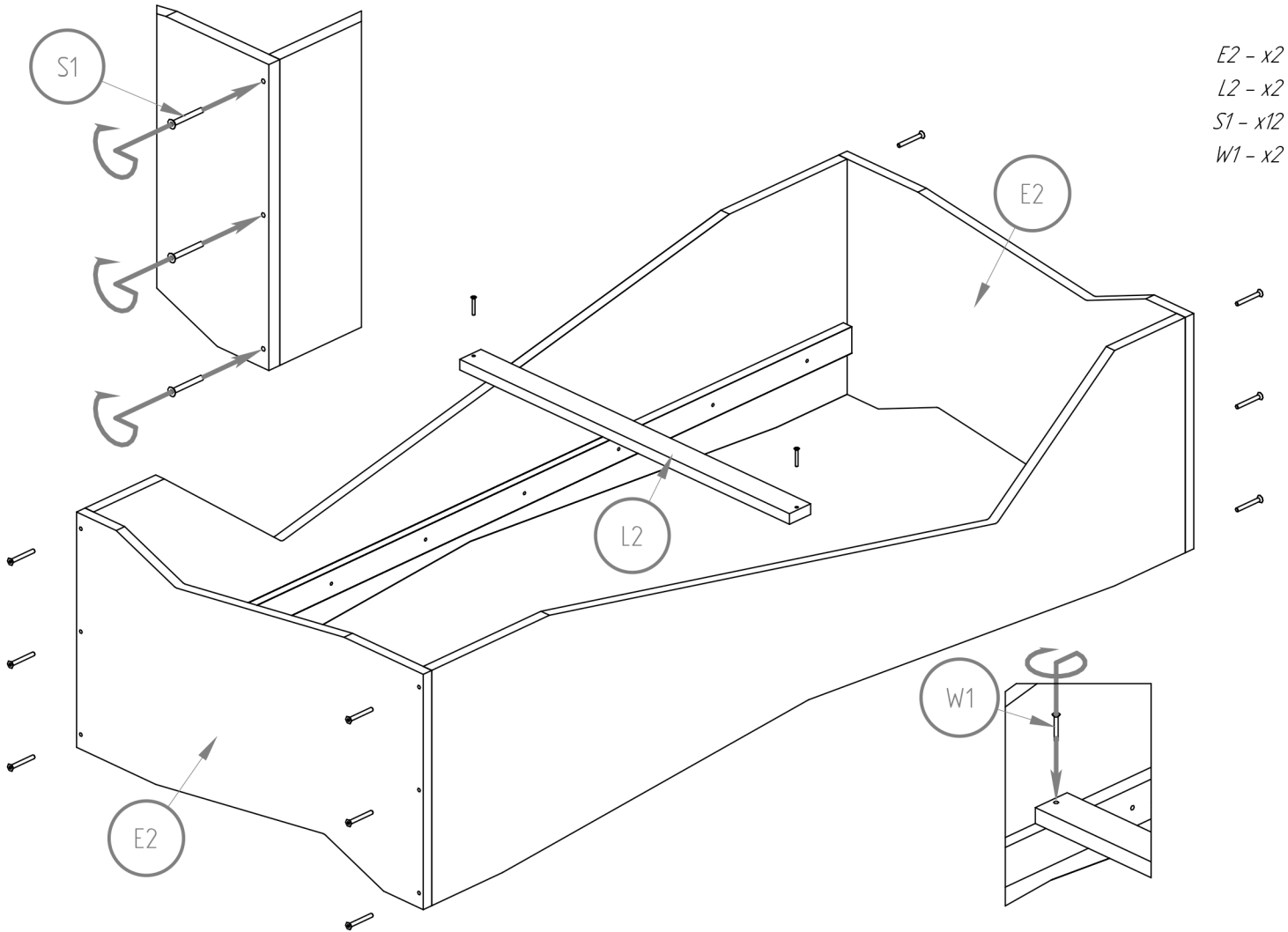


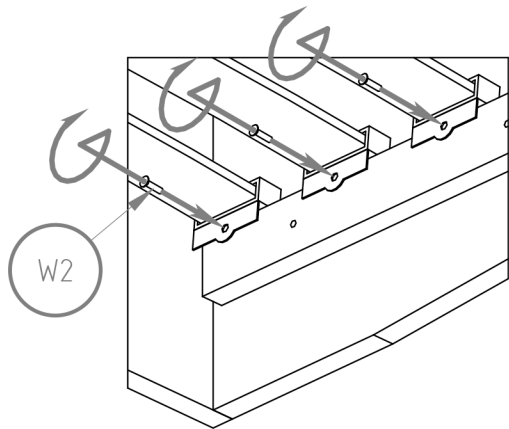
BLOX 5

- E1 - x2*
- E2 - x2*
- L1 - x2*
- L2 - x1*
- L3 - x16*

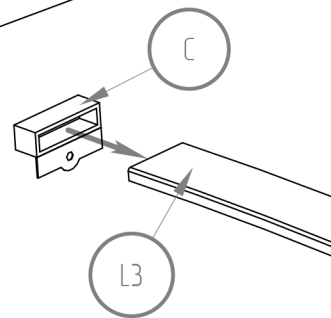
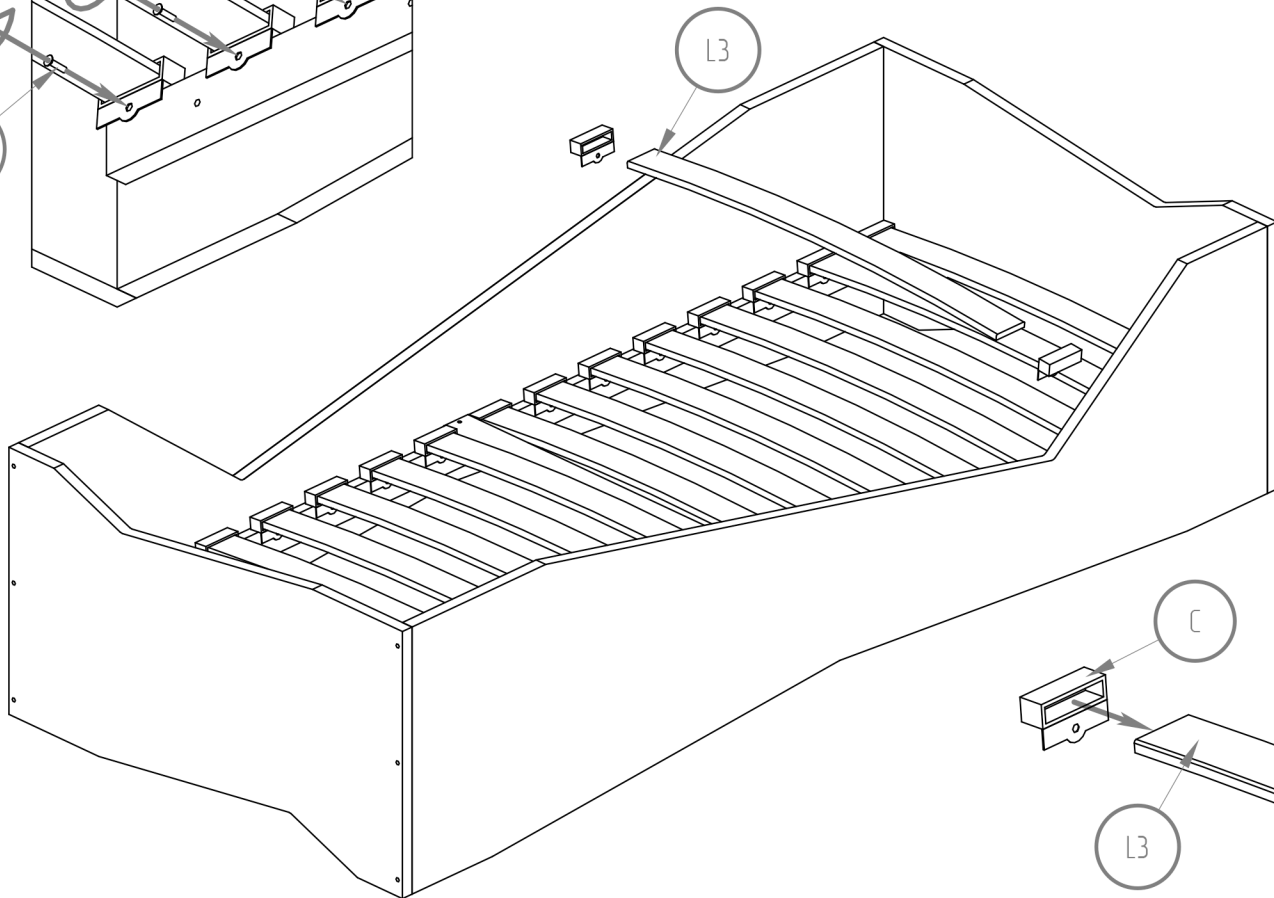


E1 - x2
L1 - x2
W1 - x16





L3 - x16
C - x32
W2 - x32



BLOX 6

60x120 70x140 70x160

80x140 80x150 80x160 80x170

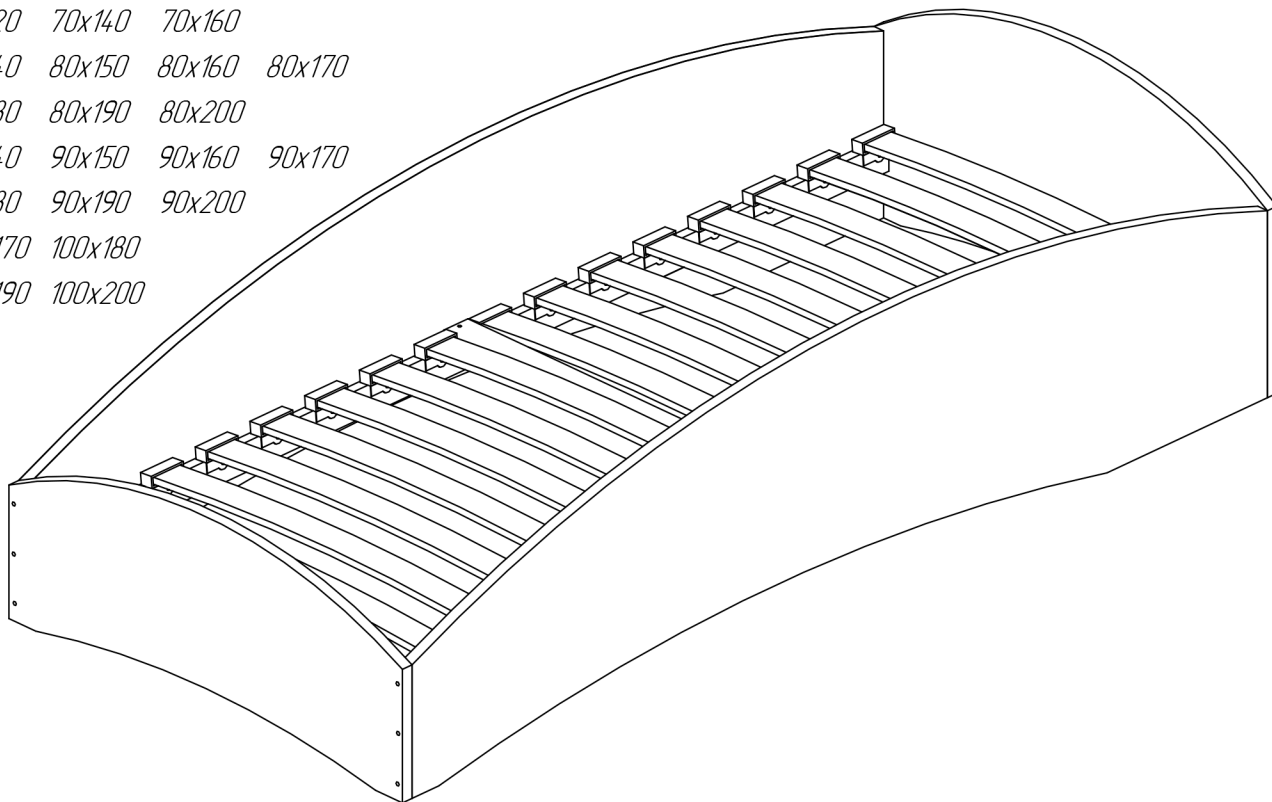
80x180 80x190 80x200

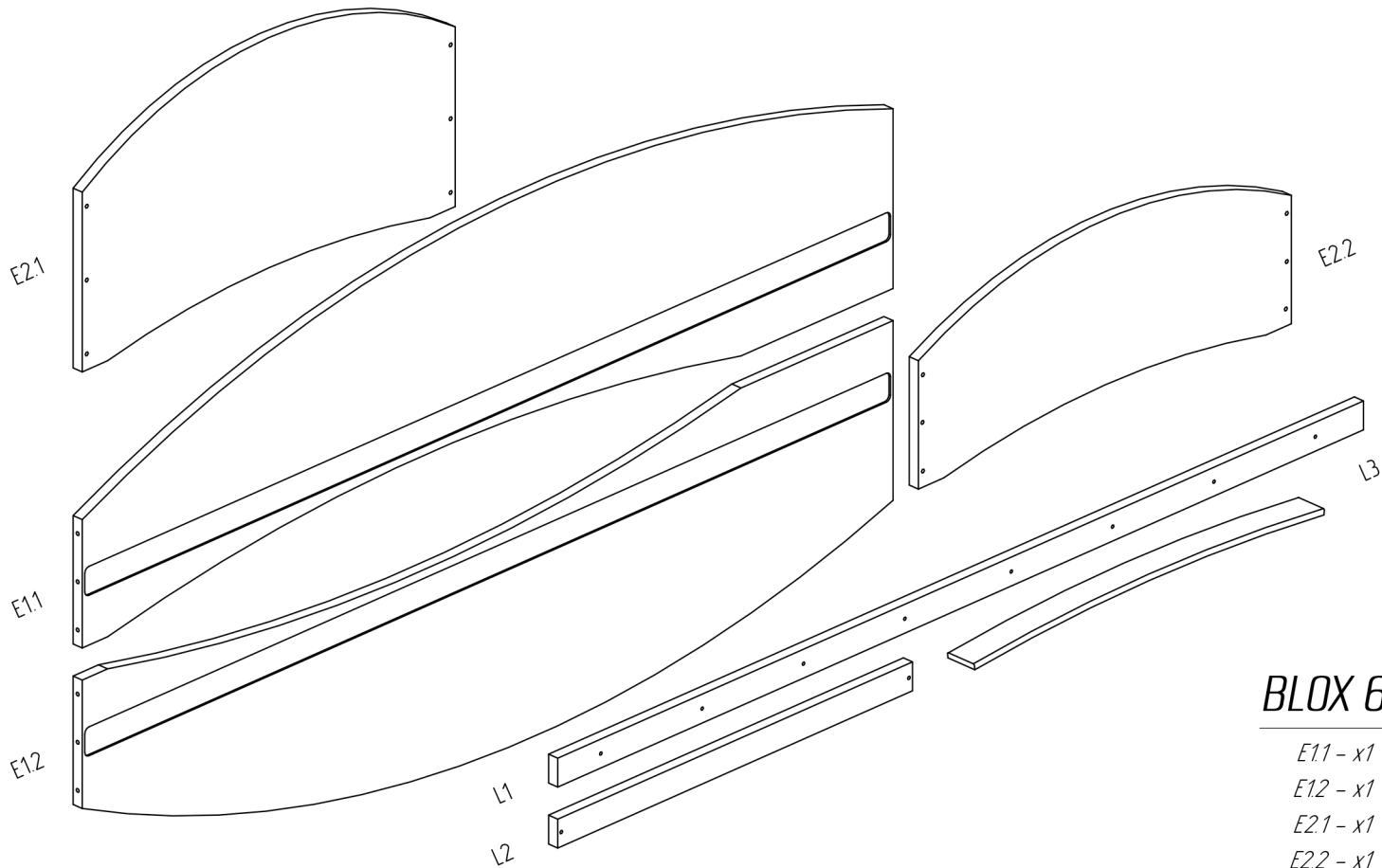
90x140 90x150 90x160 90x170

90x180 90x190 90x200

100x170 100x180

100x190 100x200





BLOX 6

E11 - x1

E12 - x1

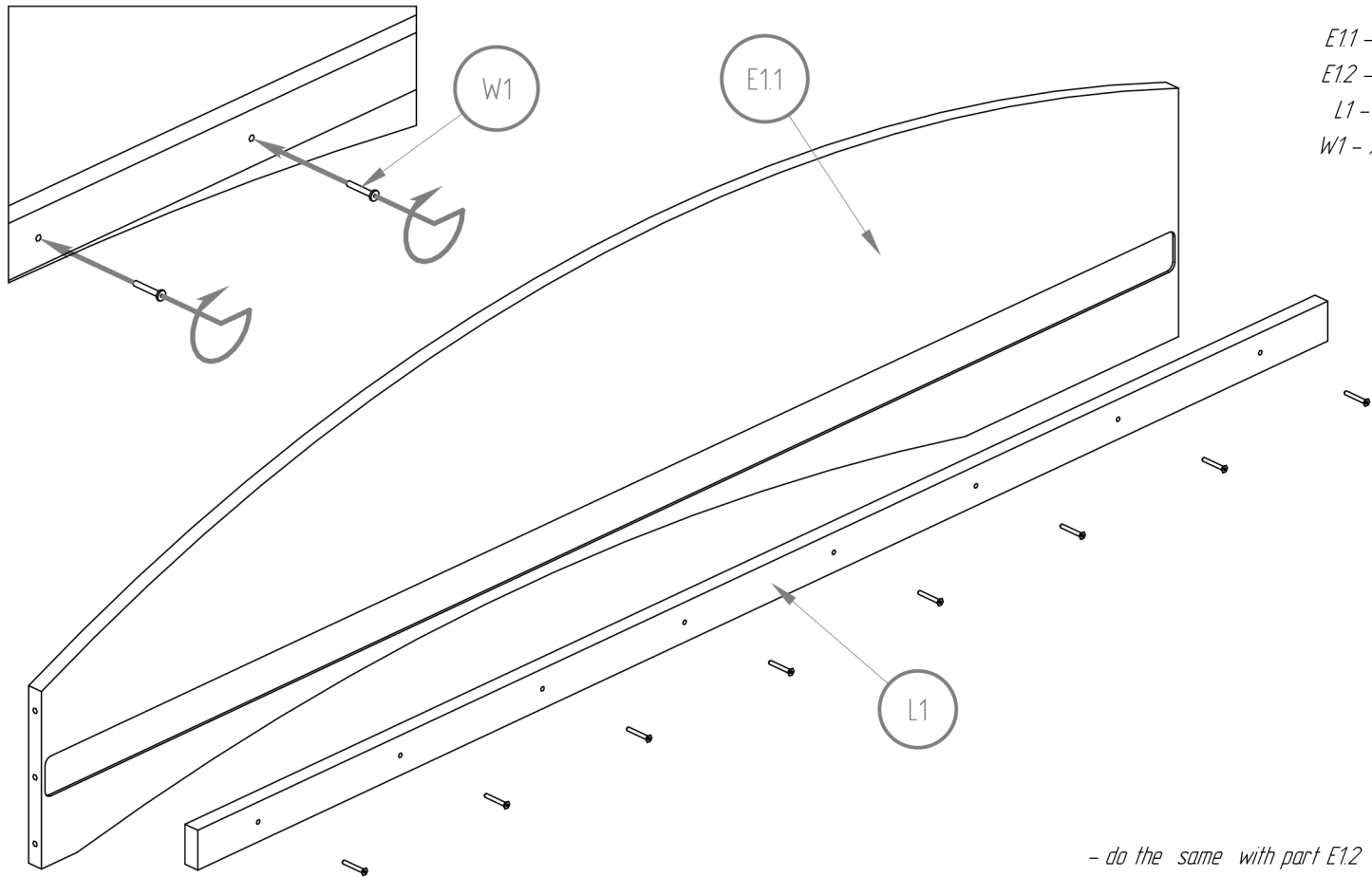
E21 - x1

E22 - x1

L1 - x2

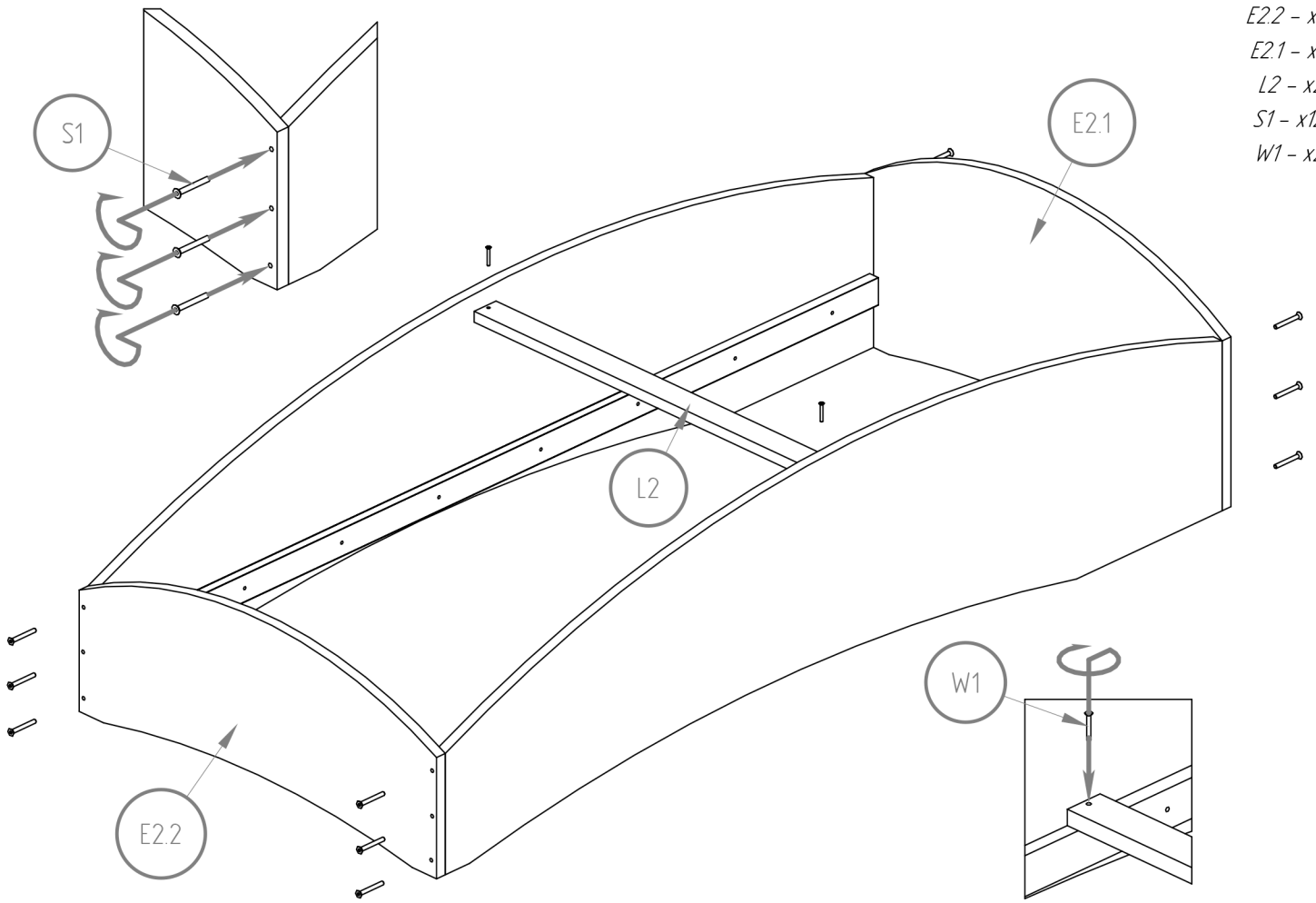
L2 - x1

L3 - x16

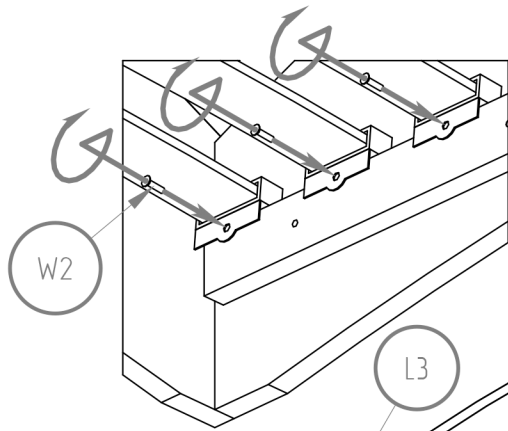


E11 - x1
E12 - x1
L1 - x2
W1 - x16

- do the same with part E12
- wykonaj to samo z elementem E12

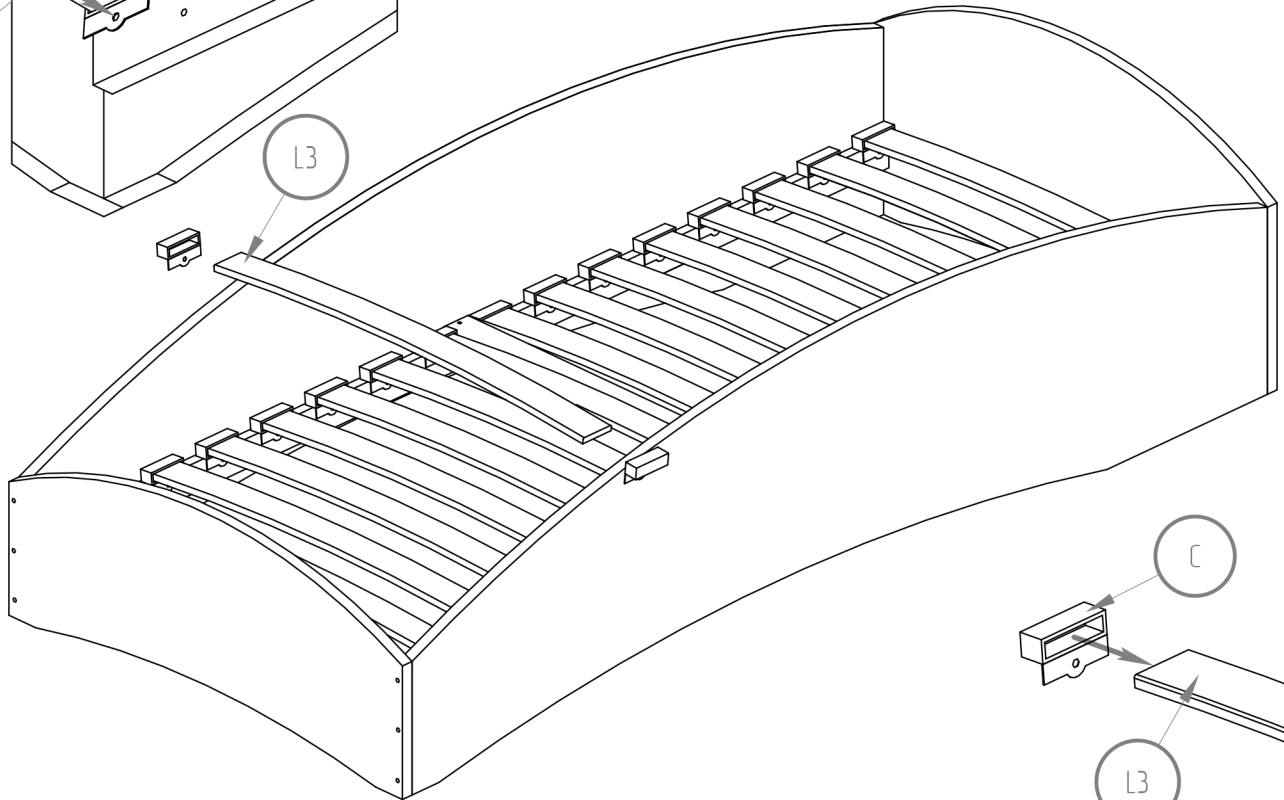


- E2.2 - x1*
- E2.1 - x1*
- L2 - x2*
- S1 - x12*
- W1 - x2*



W2

L3



L3

C

L3 - x16
C - x32
W2 - x32

BLOX 7

60x120 70x140 70x160

80x140 80x150 80x160 80x170

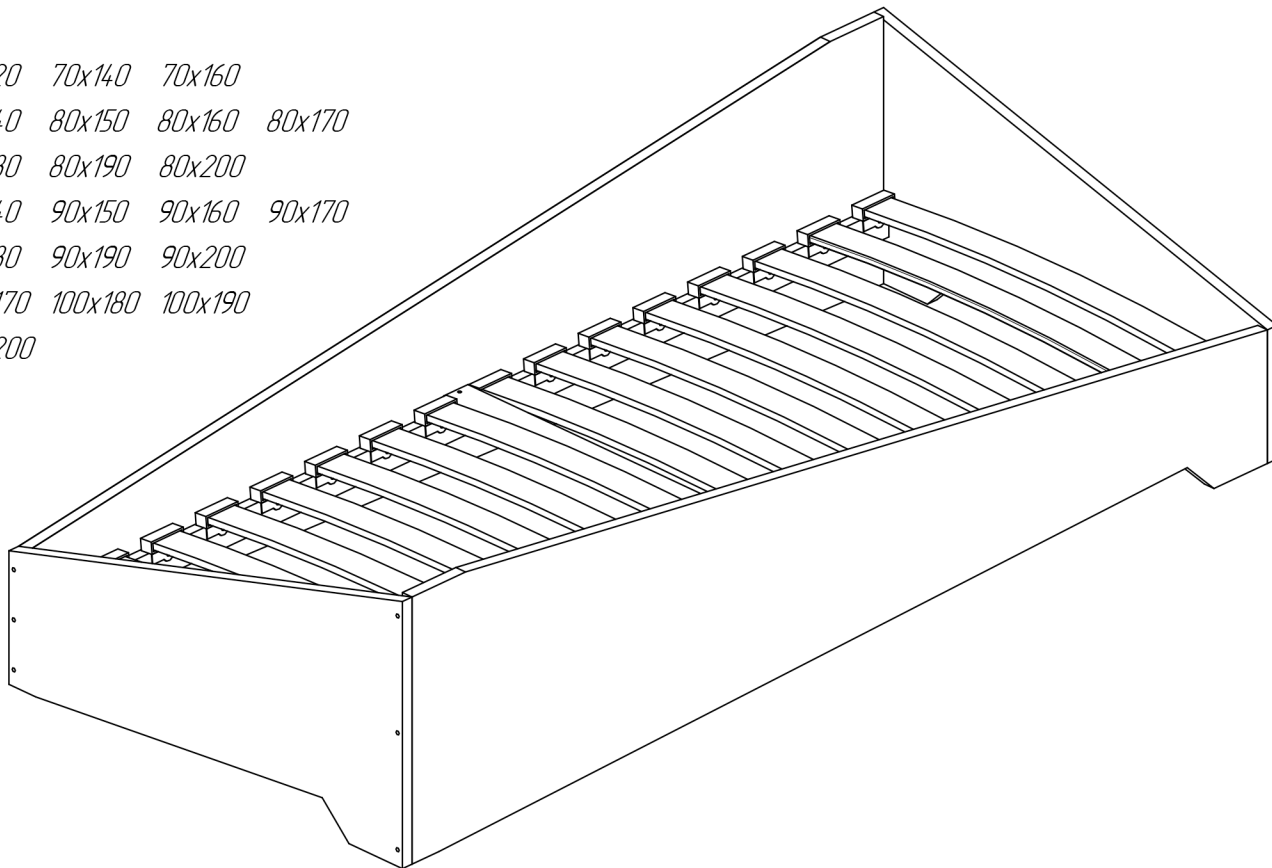
80x180 80x190 80x200

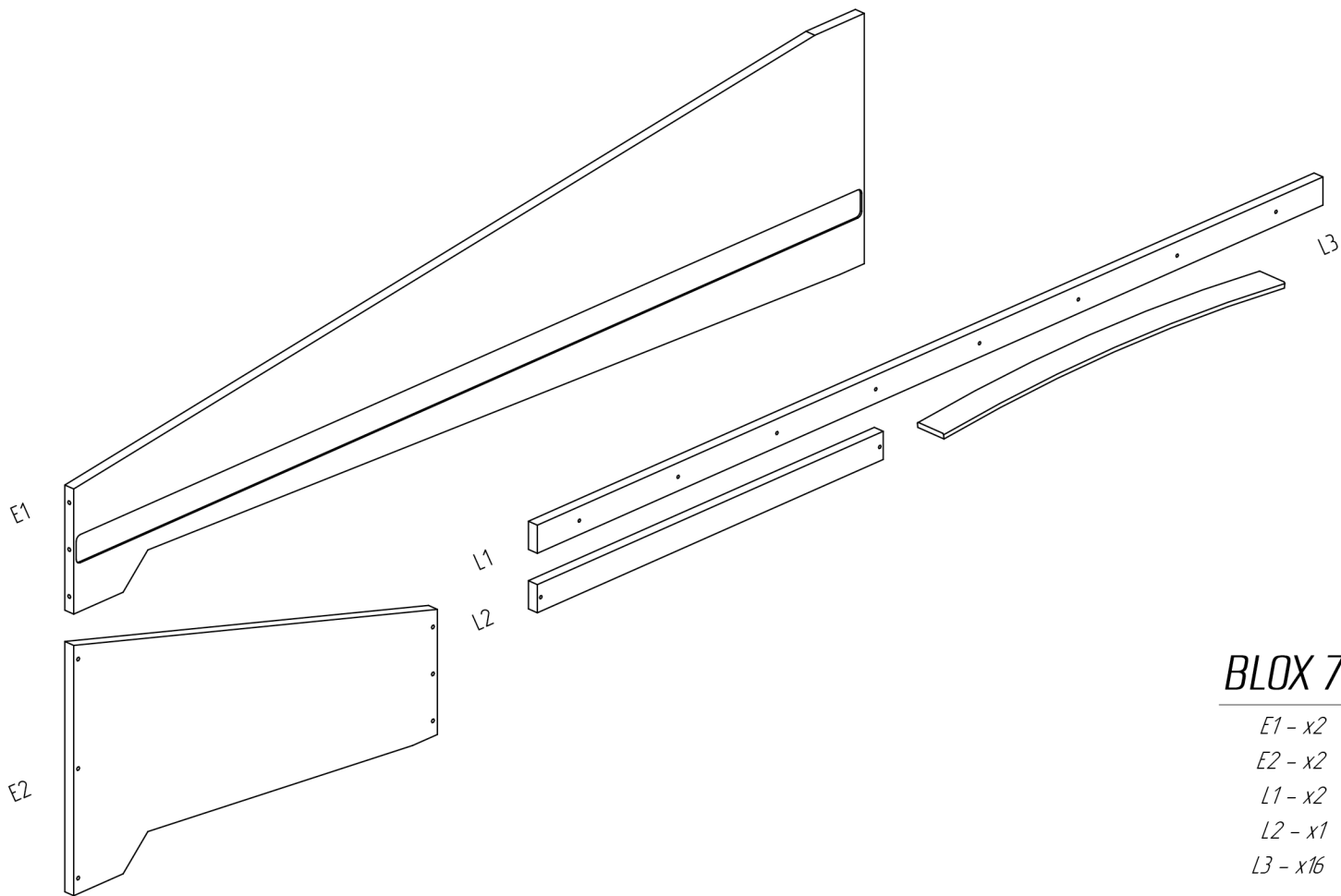
90x140 90x150 90x160 90x170

90x180 90x190 90x200

100x170 100x180 100x190

100x200





BLOX 7

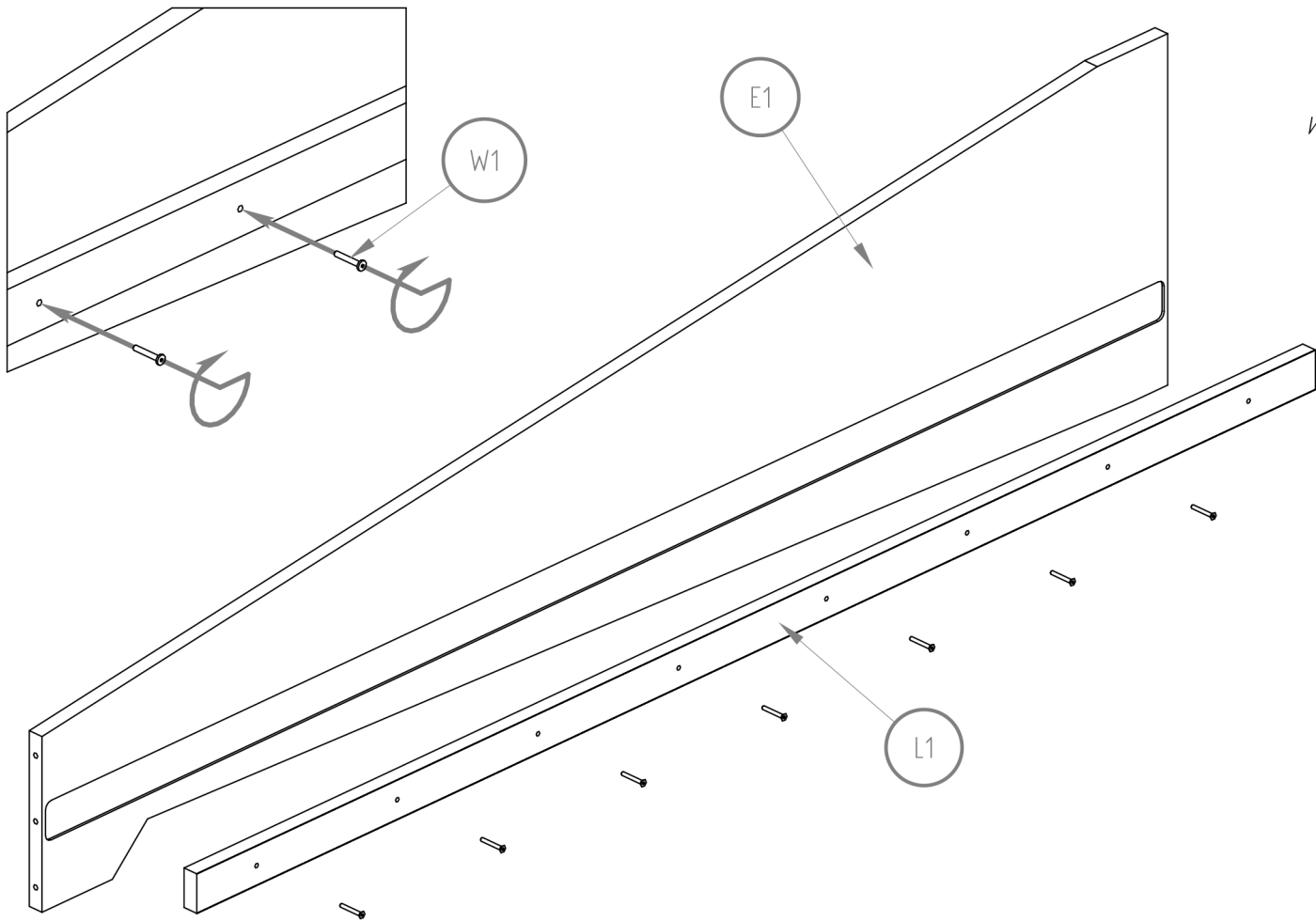
E1 - x2

E2 - x2

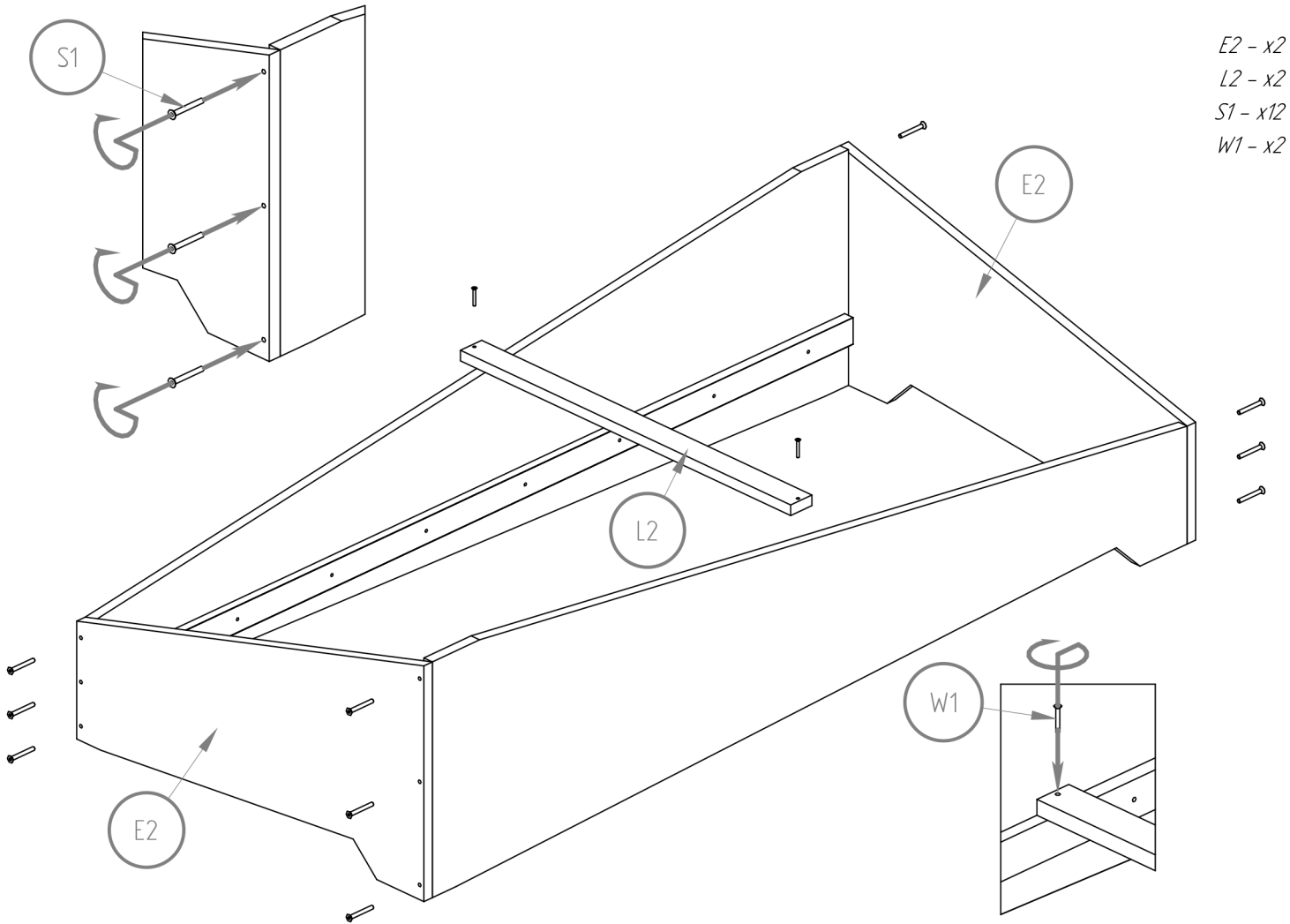
L1 - x2

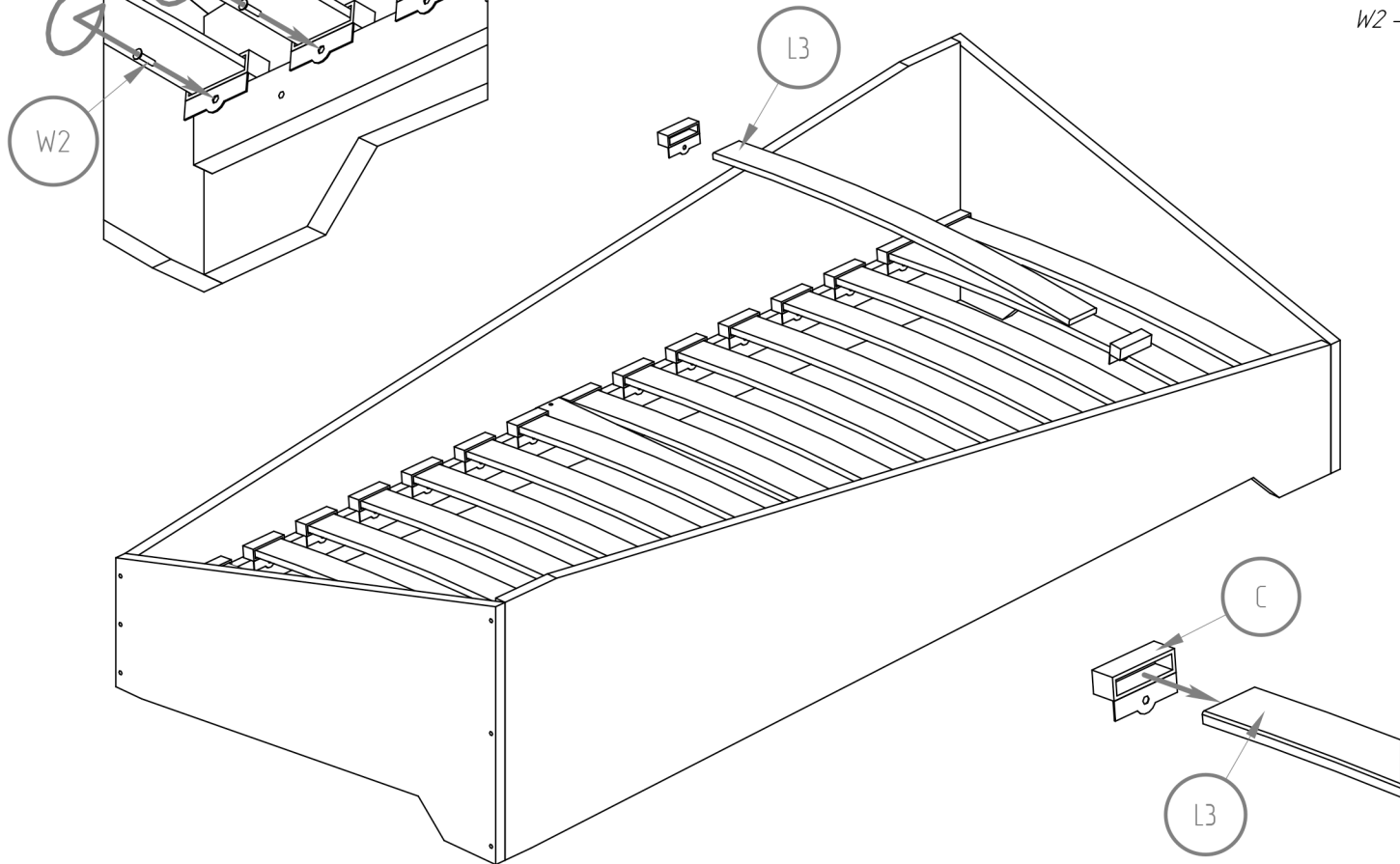
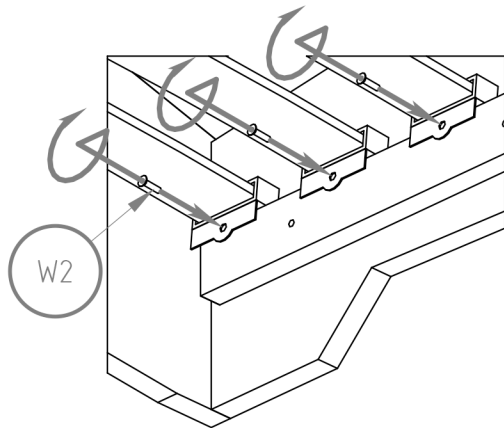
L2 - x1

L3 - x16



E1 - x2
L1 - x2
W1 - x16





L3 - x16
C - x32
W2 - x32

BLOX 8

60x120 70x140 70x160

80x140 80x150 80x160 80x170

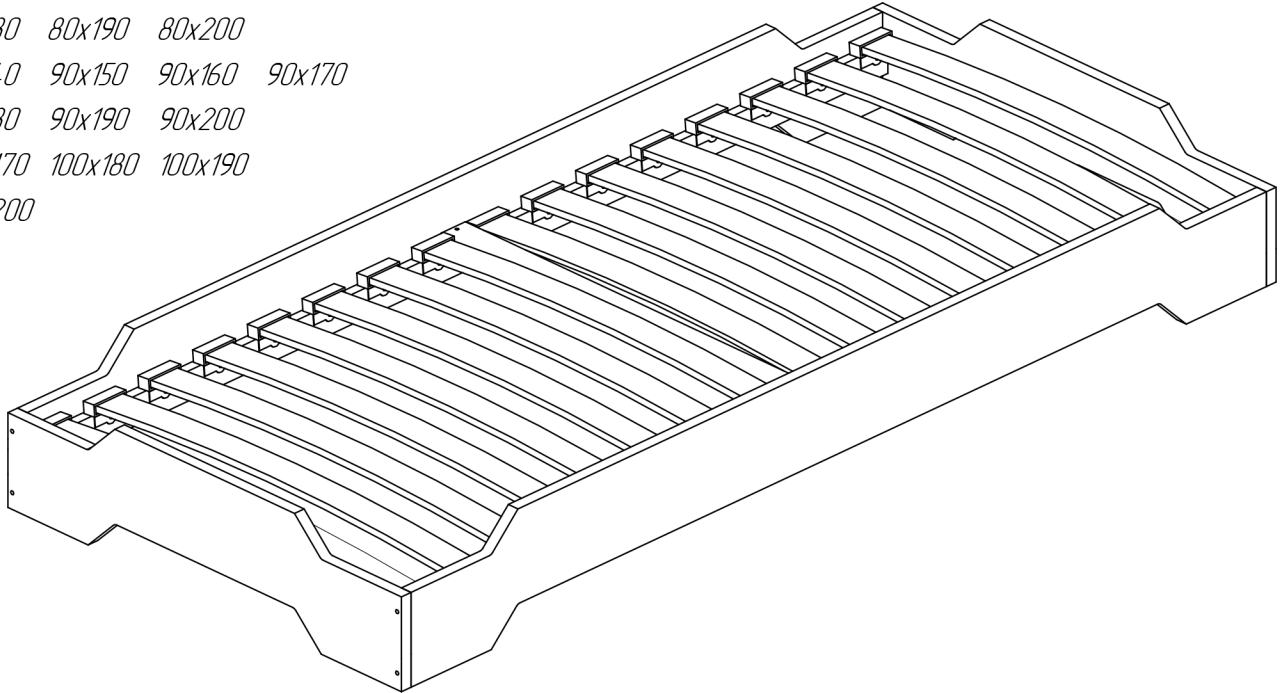
80x180 80x190 80x200

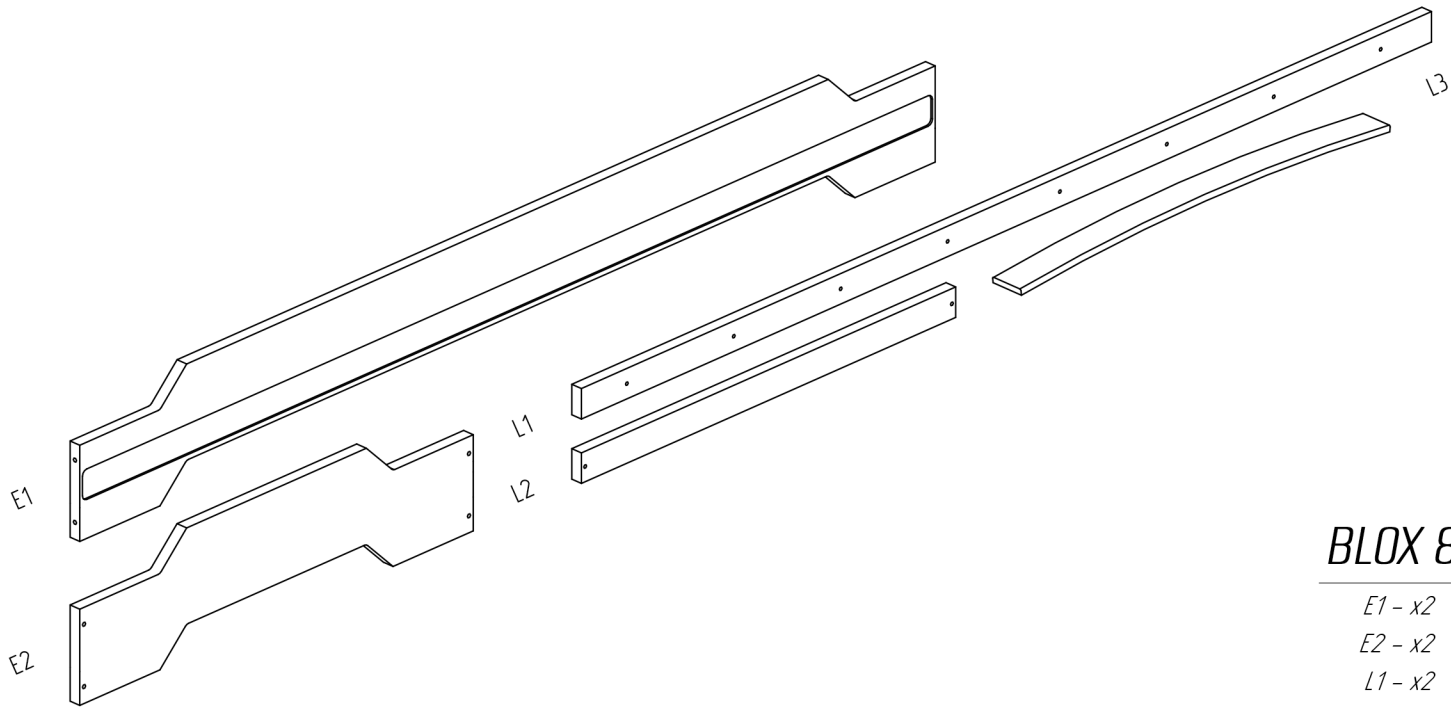
90x140 90x150 90x160 90x170

90x180 90x190 90x200

100x170 100x180 100x190

100x200





BLOX 8

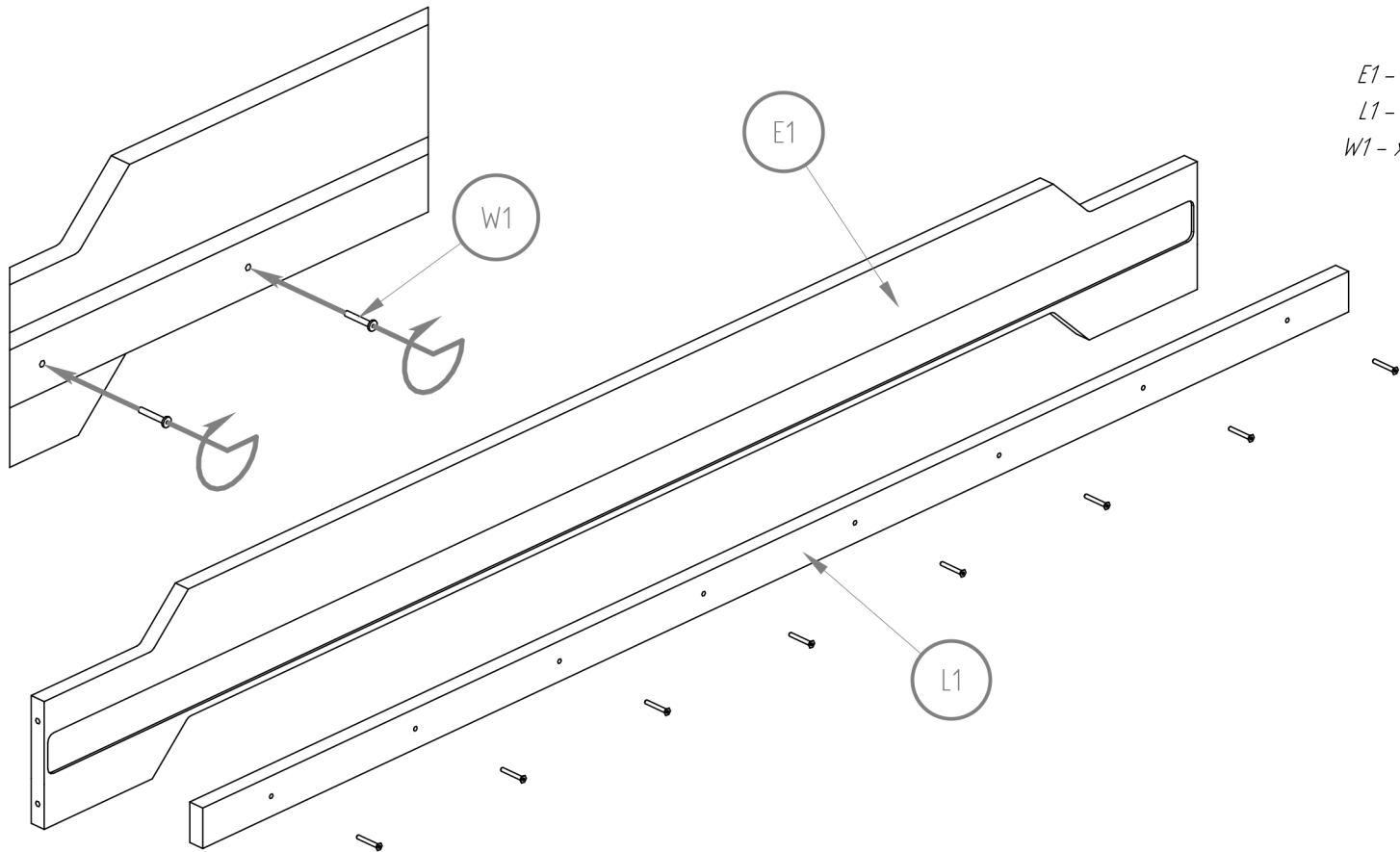
E1 - x2

E2 - x2

L1 - x2

L2 - x1

L3 - x16



E1 - x2

L1 - x2

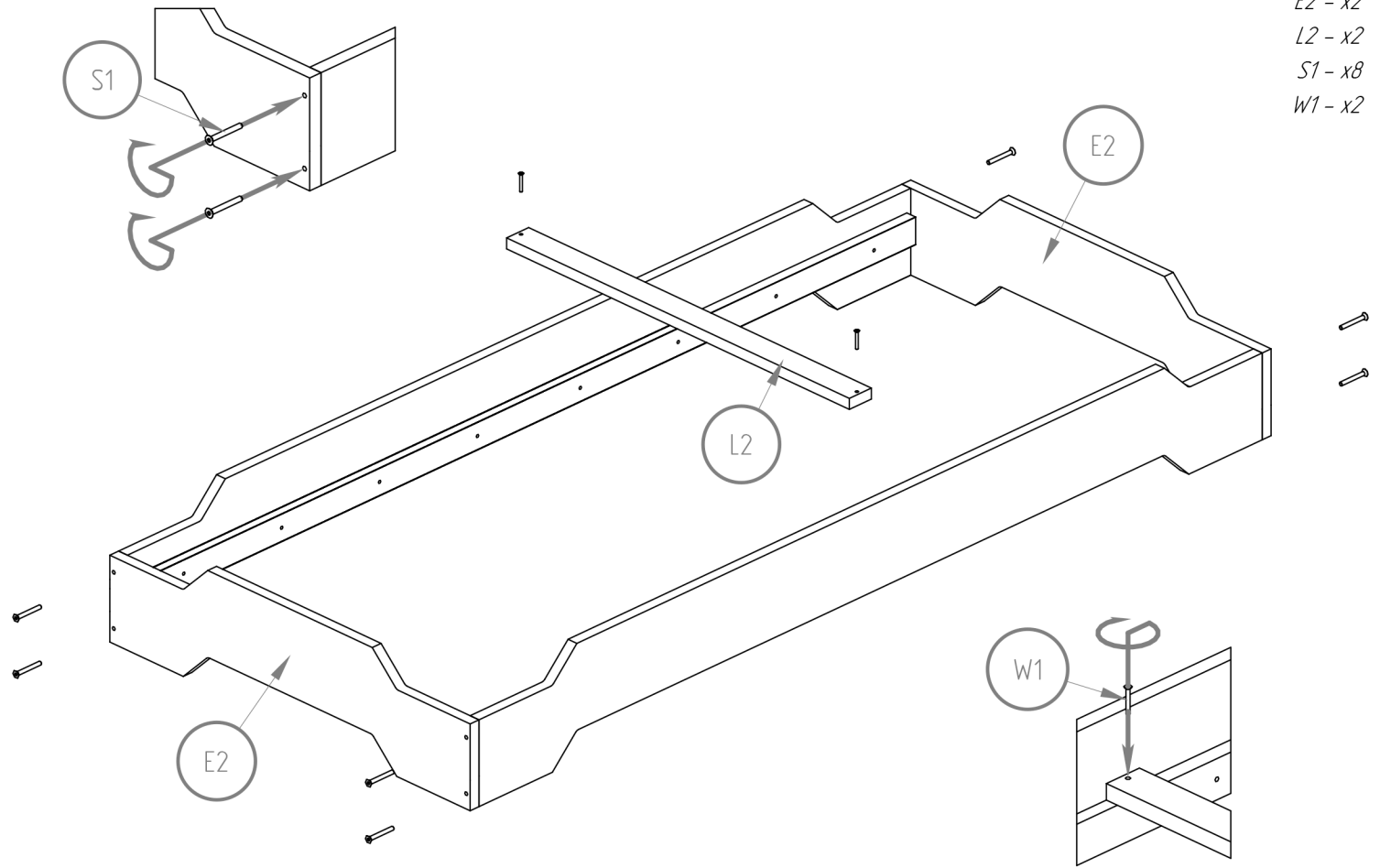
W1 - x16

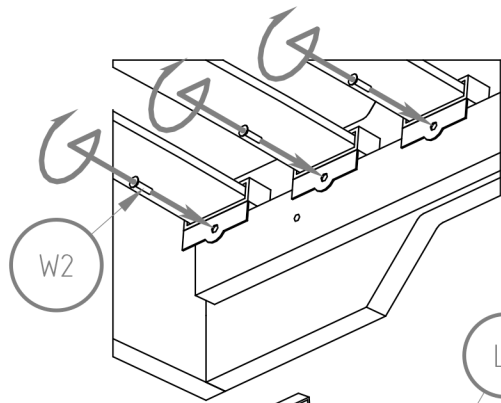
L1

W1

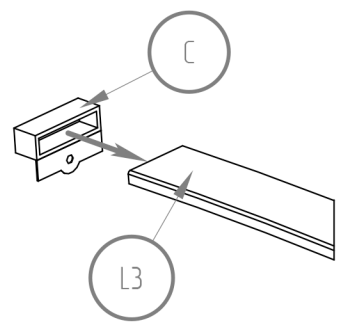
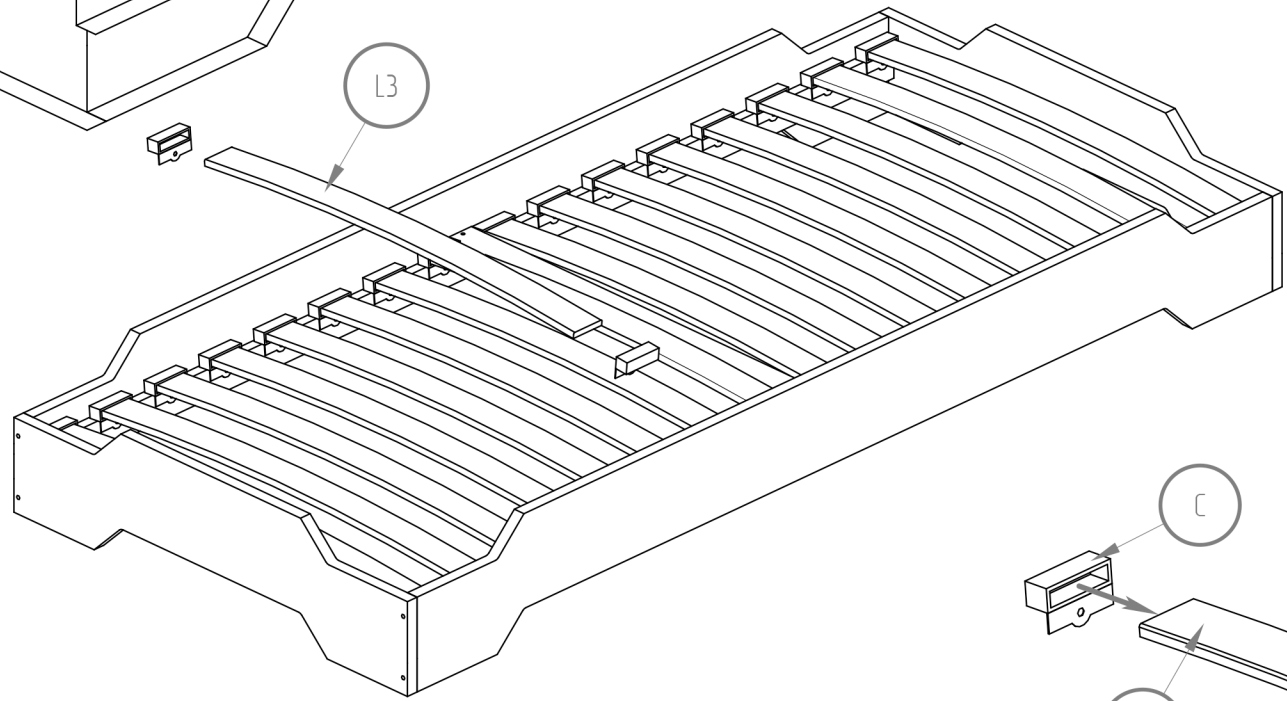
E1

E2 - x2
L2 - x2
S1 - x8
W1 - x2





L3 - x16
C - x32
W2 - x32



BLOX 9

60x120 70x140 70x160

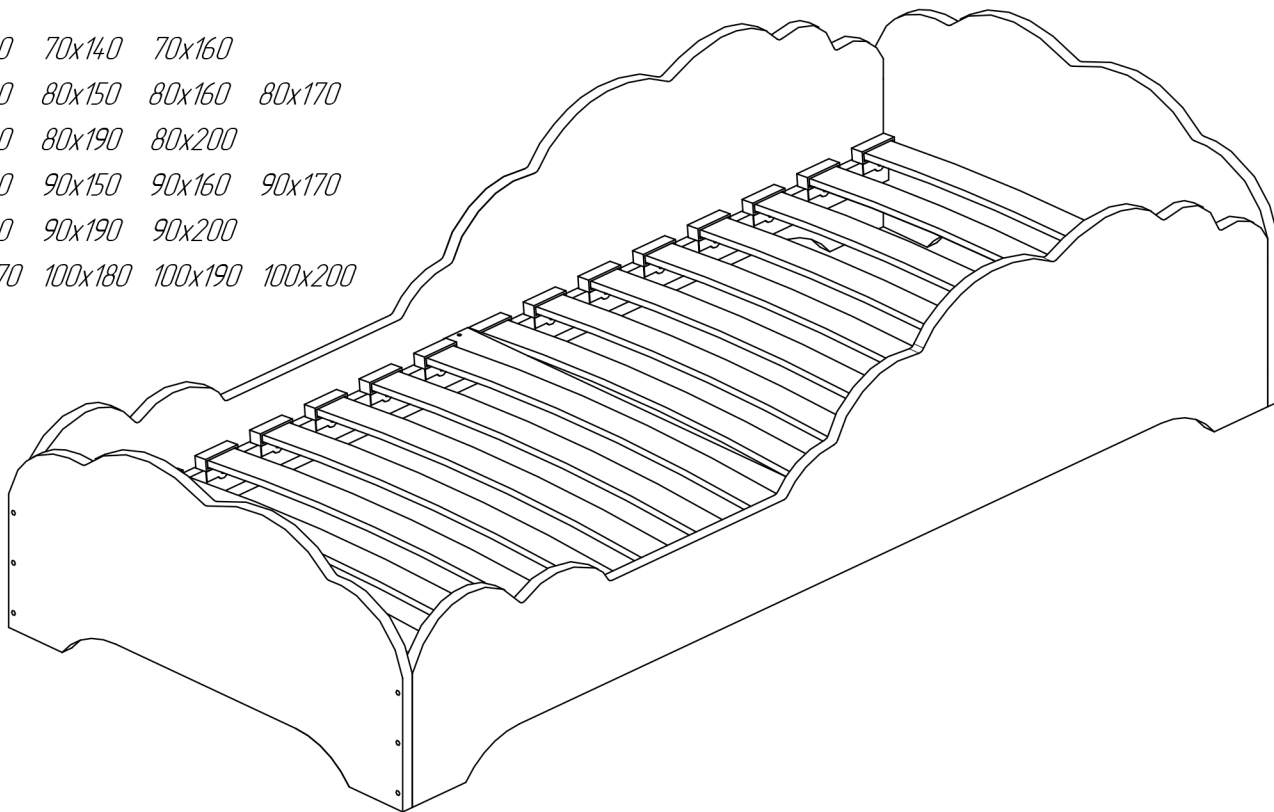
80x140 80x150 80x160 80x170

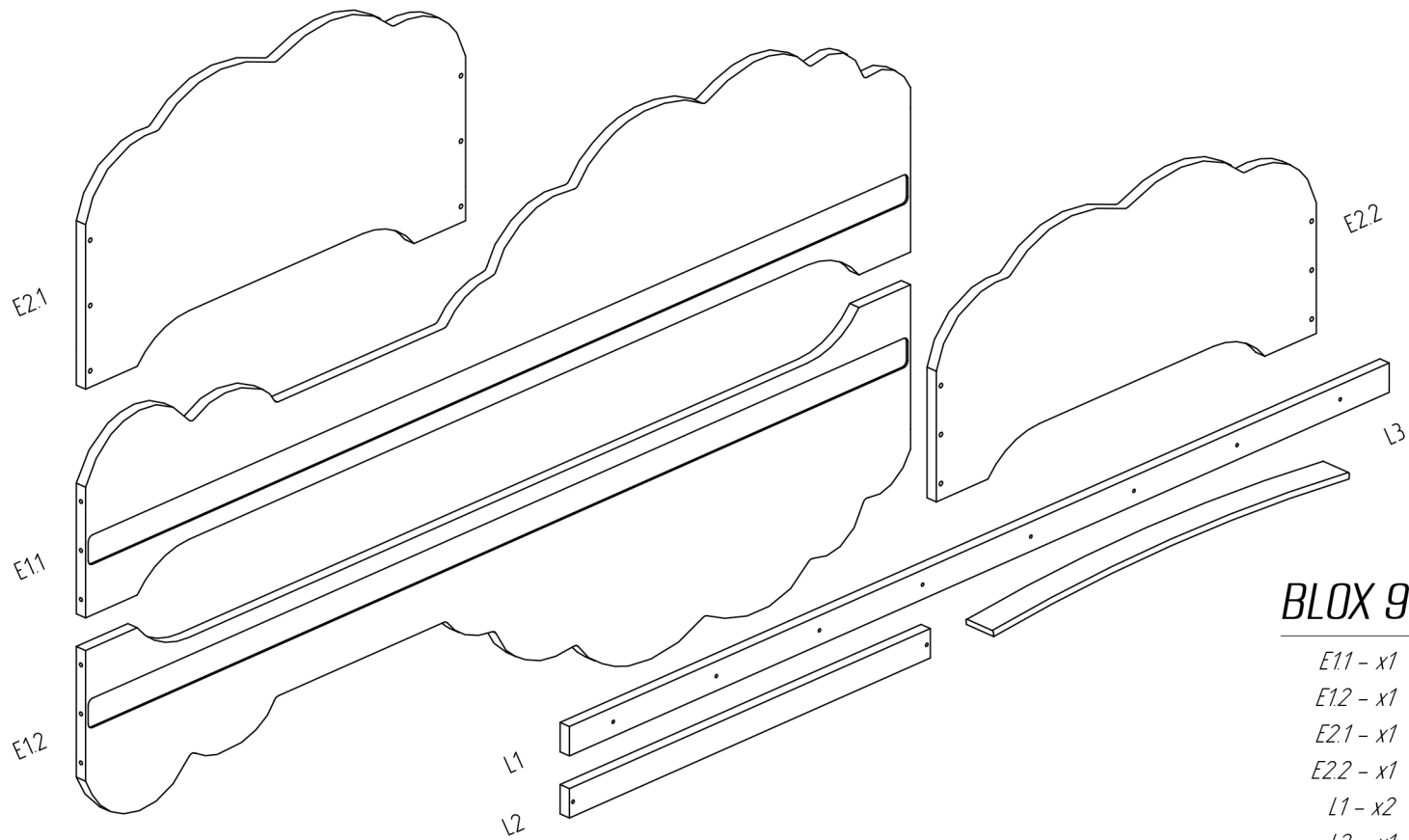
80x180 80x190 80x200

90x140 90x150 90x160 90x170

90x180 90x190 90x200

100x170 100x180 100x190 100x200





BLOX 9

E11 - x1

E12 - x1

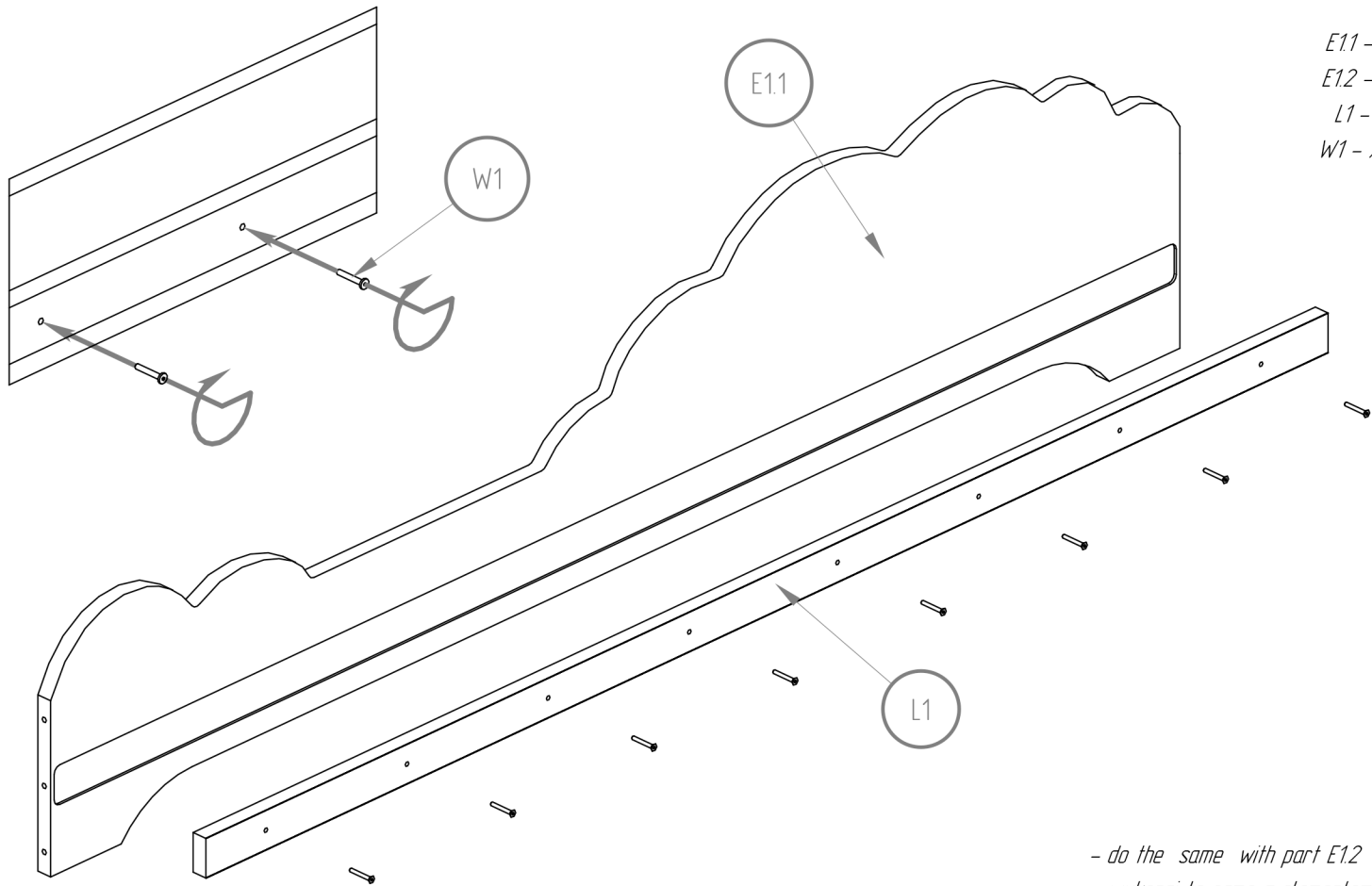
E2.1 - x1

E2.2 - x1

L1 - x2

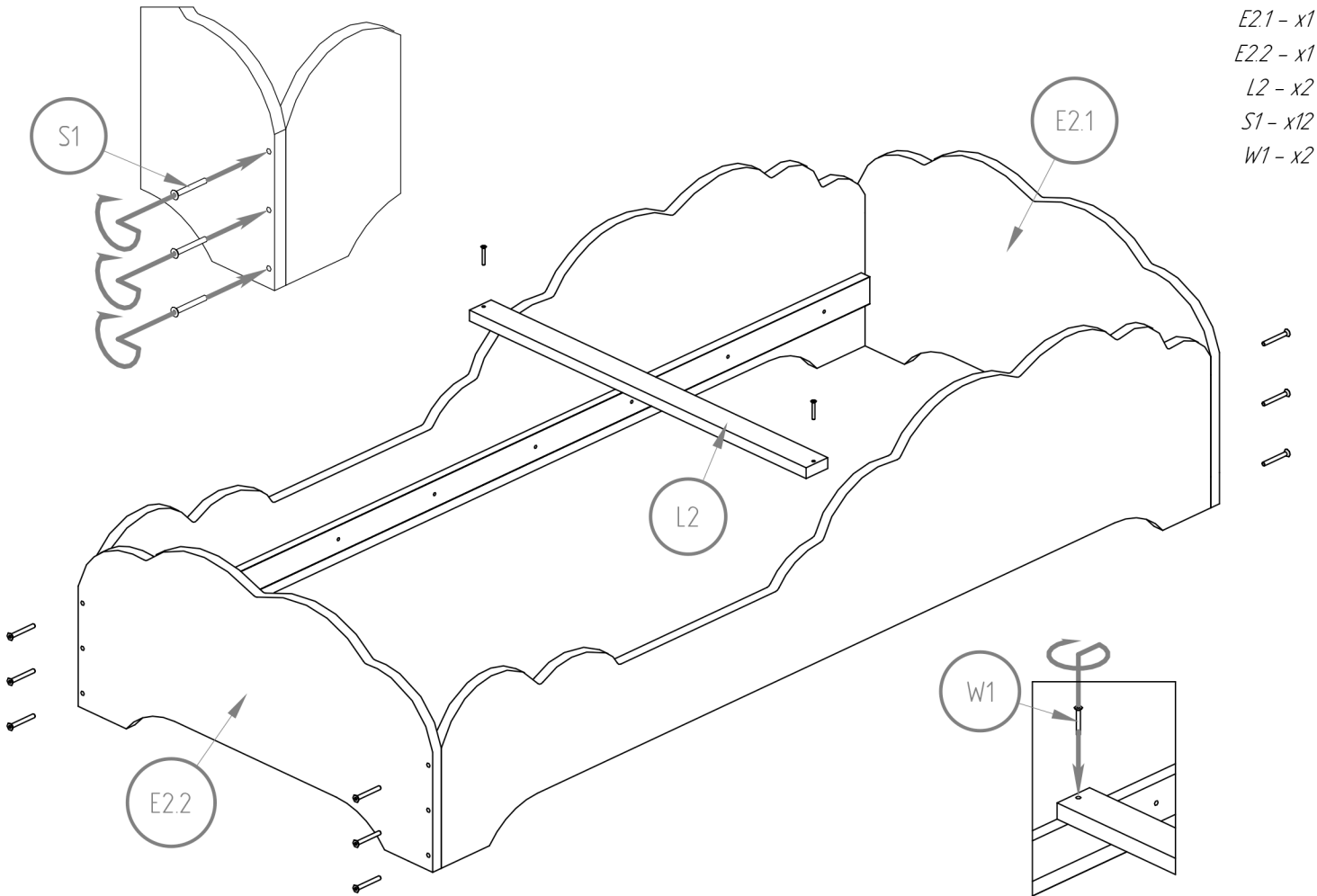
L2 - x1

L3 - x16



- E11 - x1
- E12 - x1
- L1 - x2
- W1 - x16

- do the same with part E12
- wykonaj to samo z elementem E12



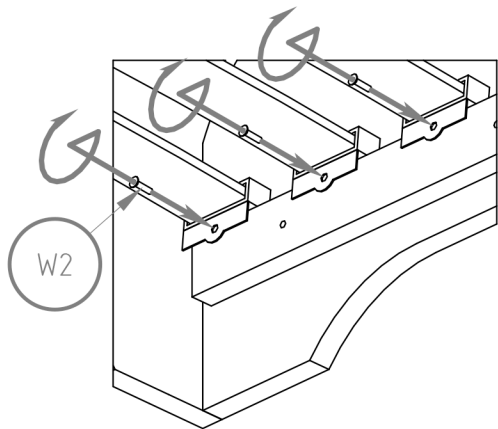
E2.1 - x1

E2.2 - x1

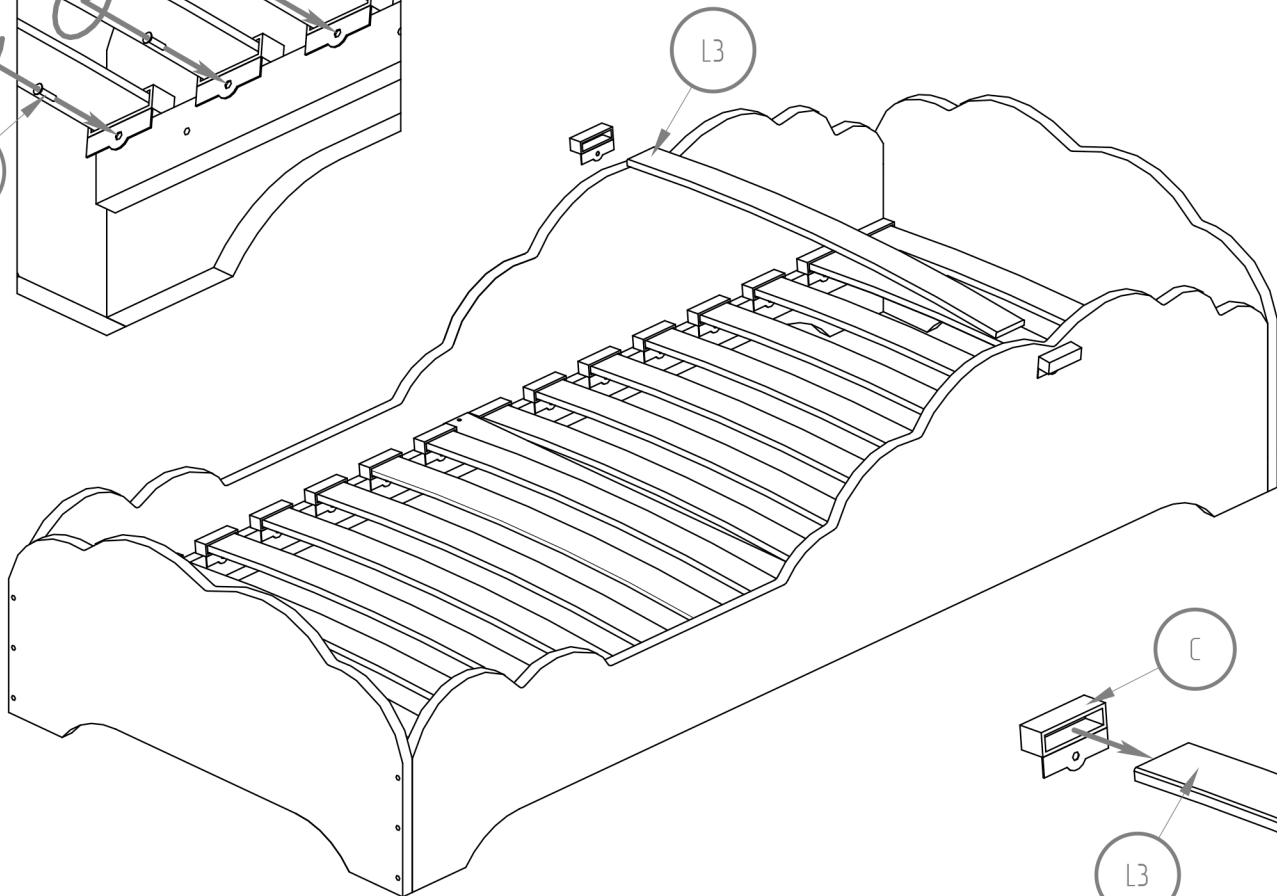
L2 - x2

S1 - x12

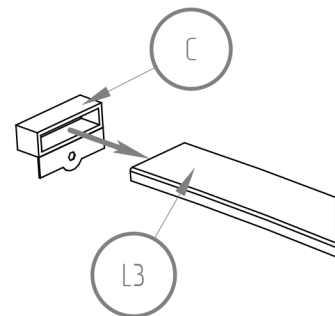
W1 - x2



W2



L3



C

L3

L3 - x16
C - x32
W2 - x32

BLOX 10

60x120 70x140 70x160

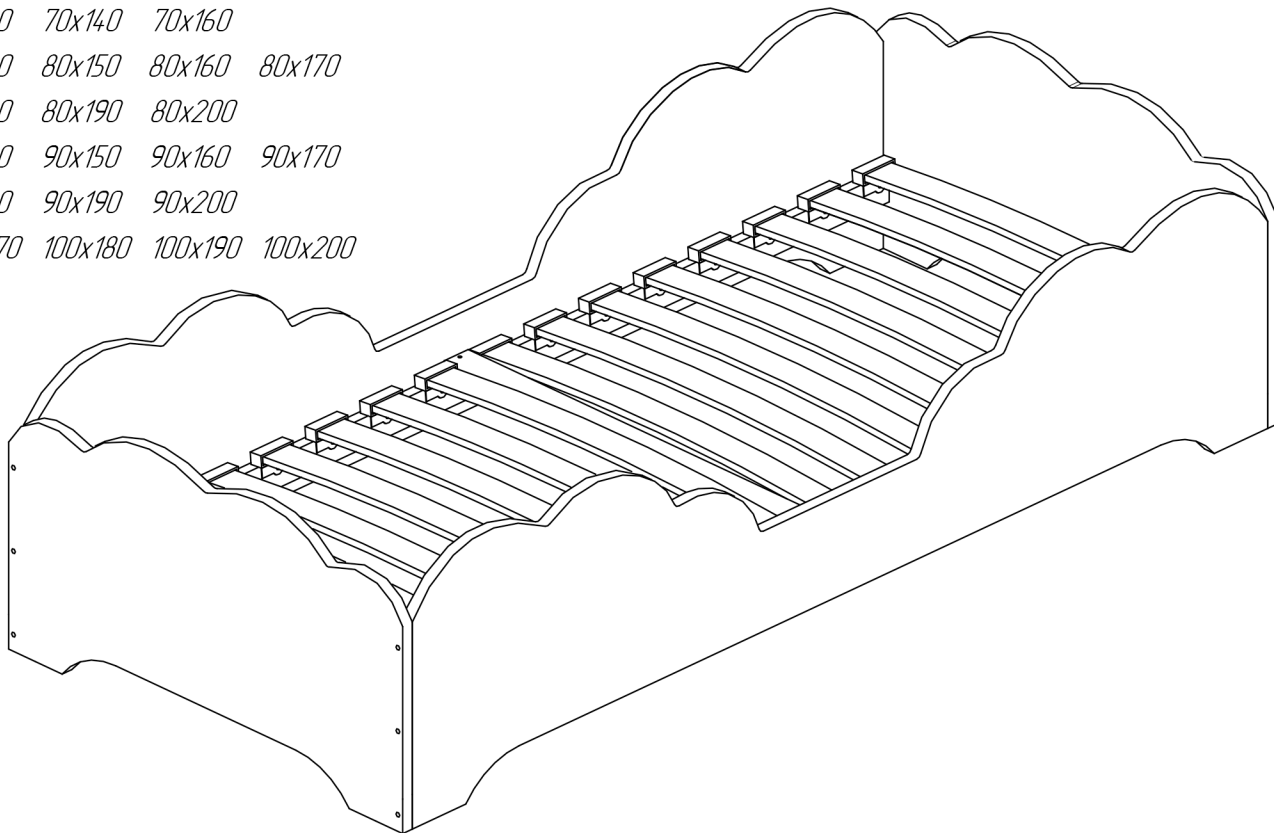
80x140 80x150 80x160 80x170

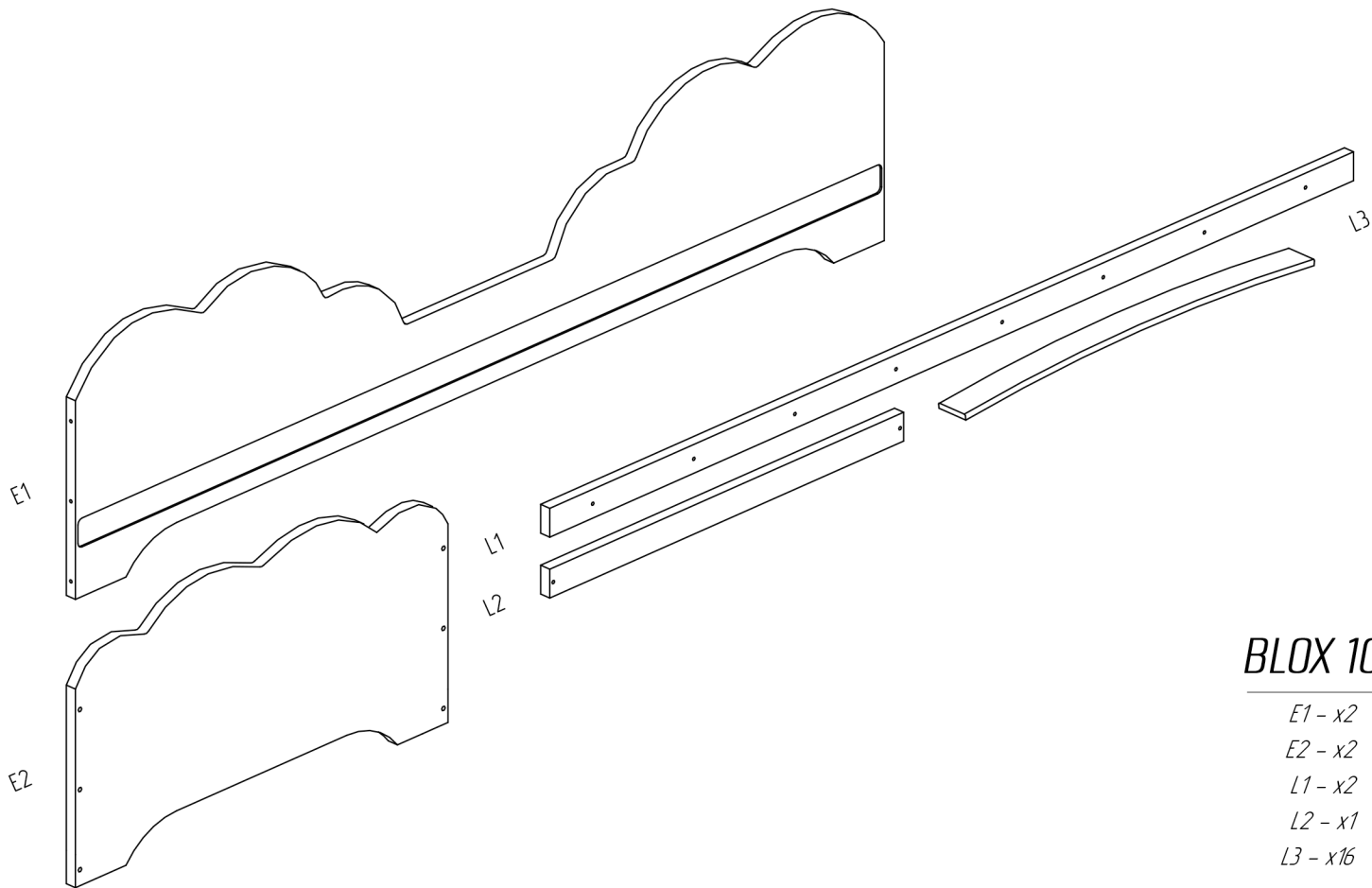
80x180 80x190 80x200

90x140 90x150 90x160 90x170

90x180 90x190 90x200

100x170 100x180 100x190 100x200





BLOX 10

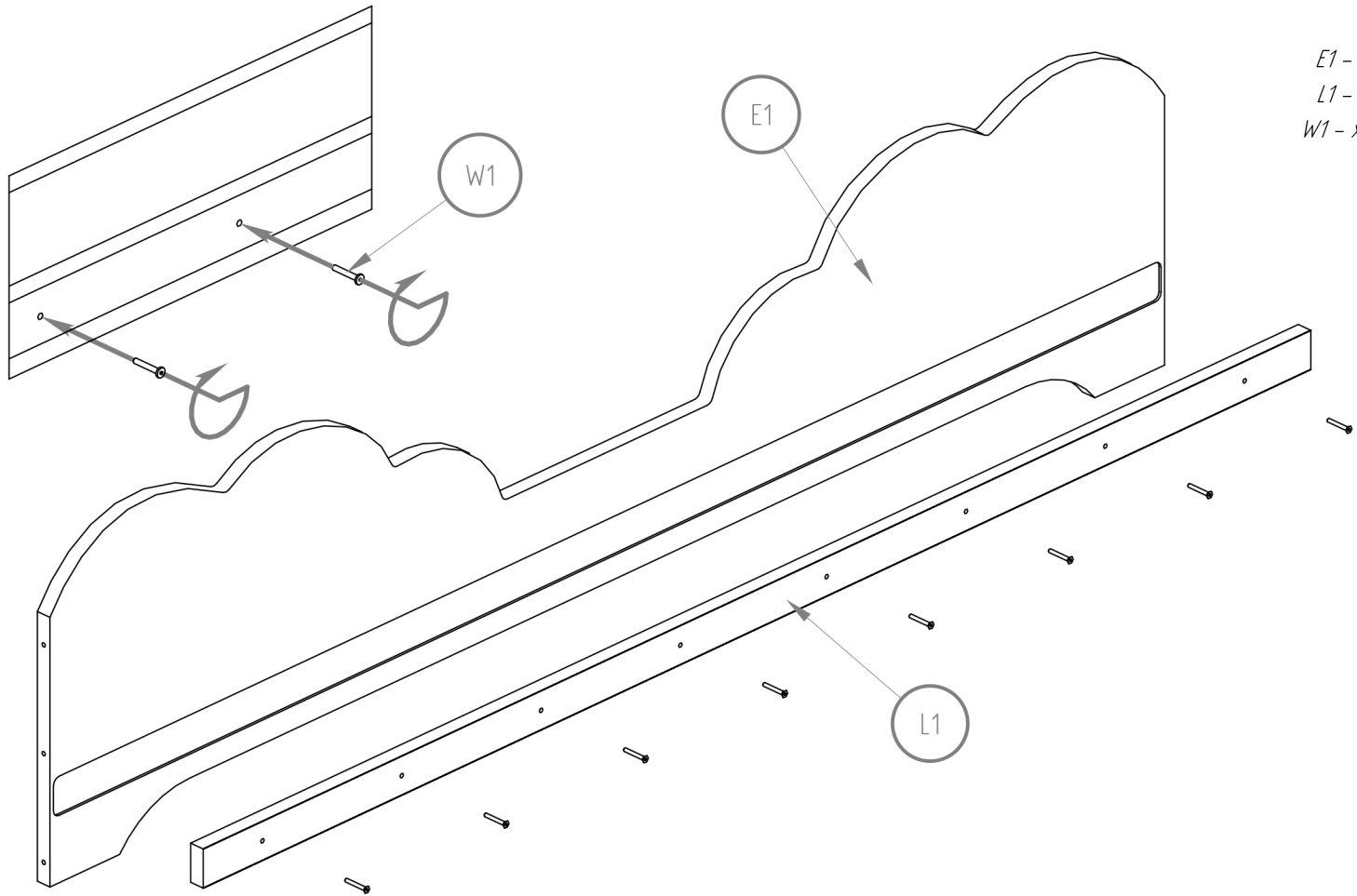
E1 - x2

E2 - x2

L1 - x2

L2 - x1

L3 - x16

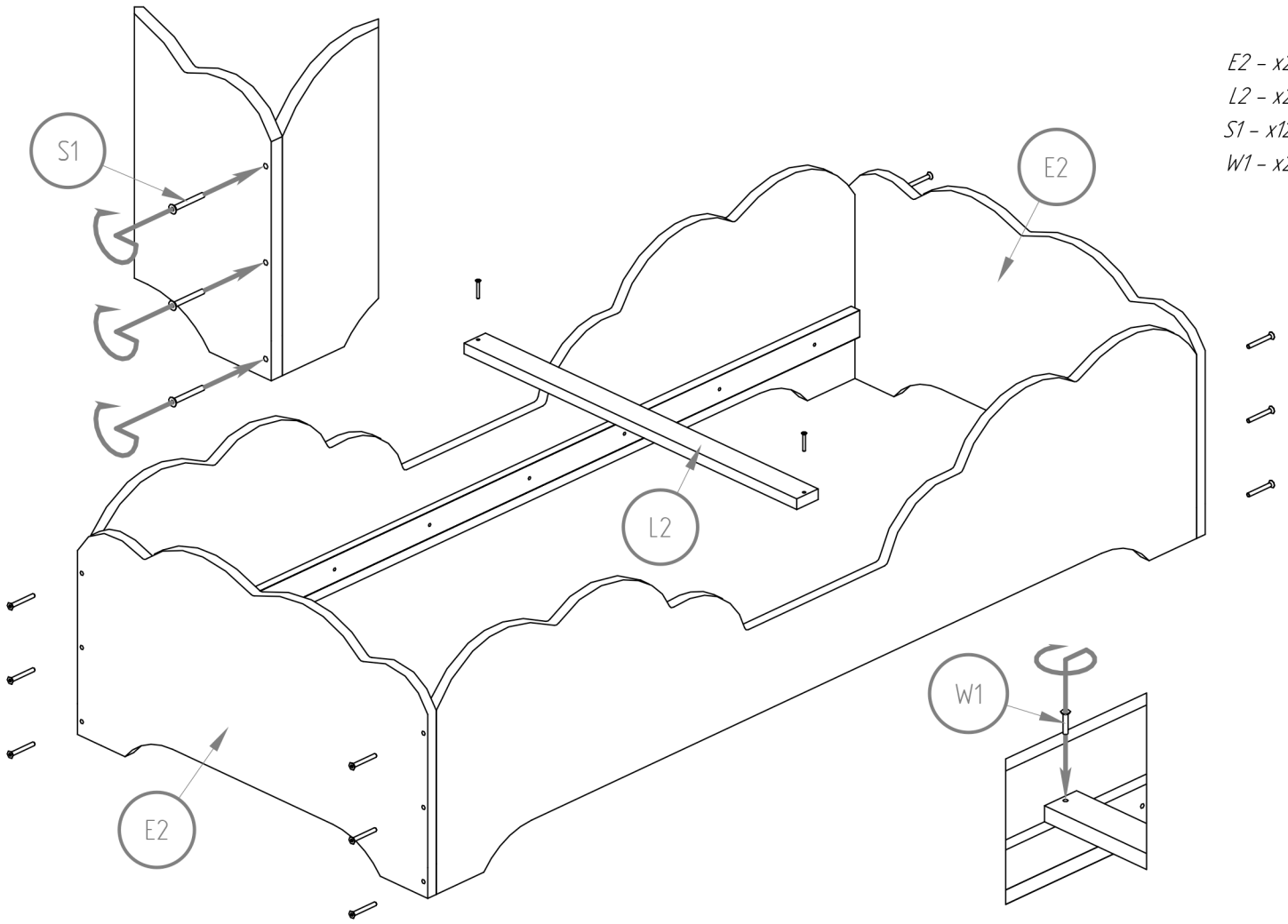


E1 - x2
L1 - x2
W1 - x16

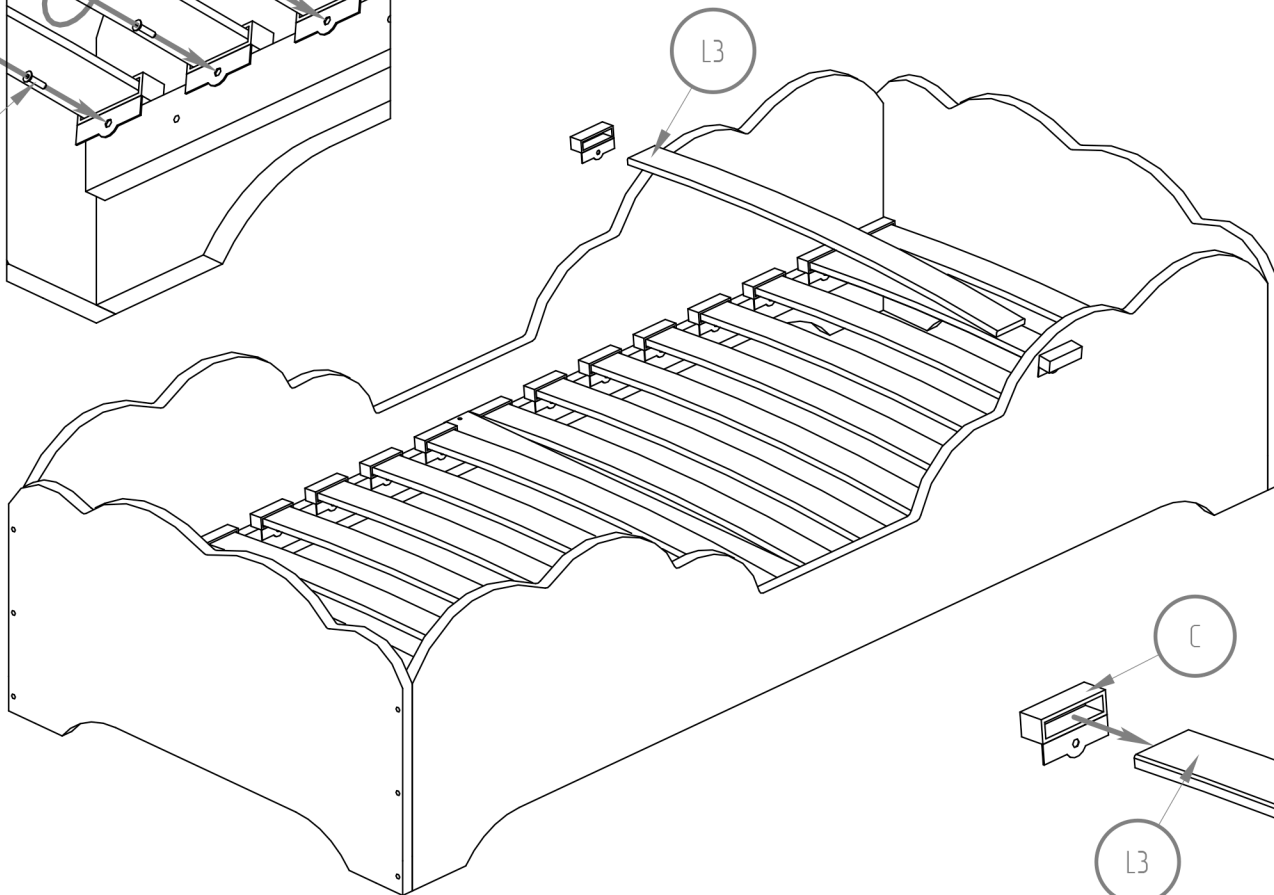
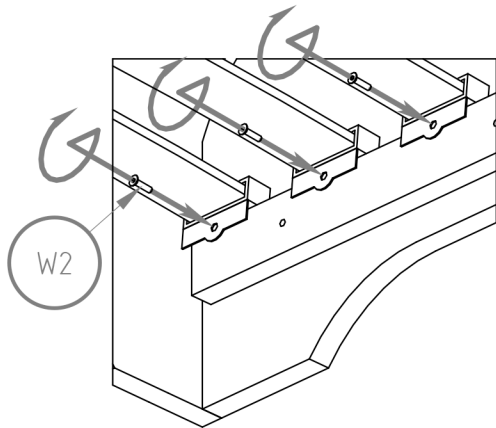
L1

W1

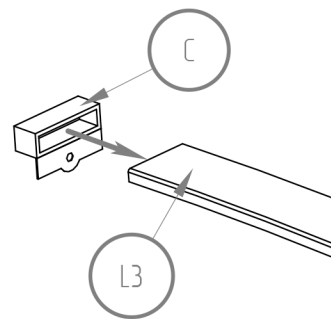
E1



- E2 - x2*
- L2 - x2*
- S1 - x12*
- W1 - x2*



L3 - x16
C - x32
W2 - x32



BLOX 11

60x120 70x140 70x160

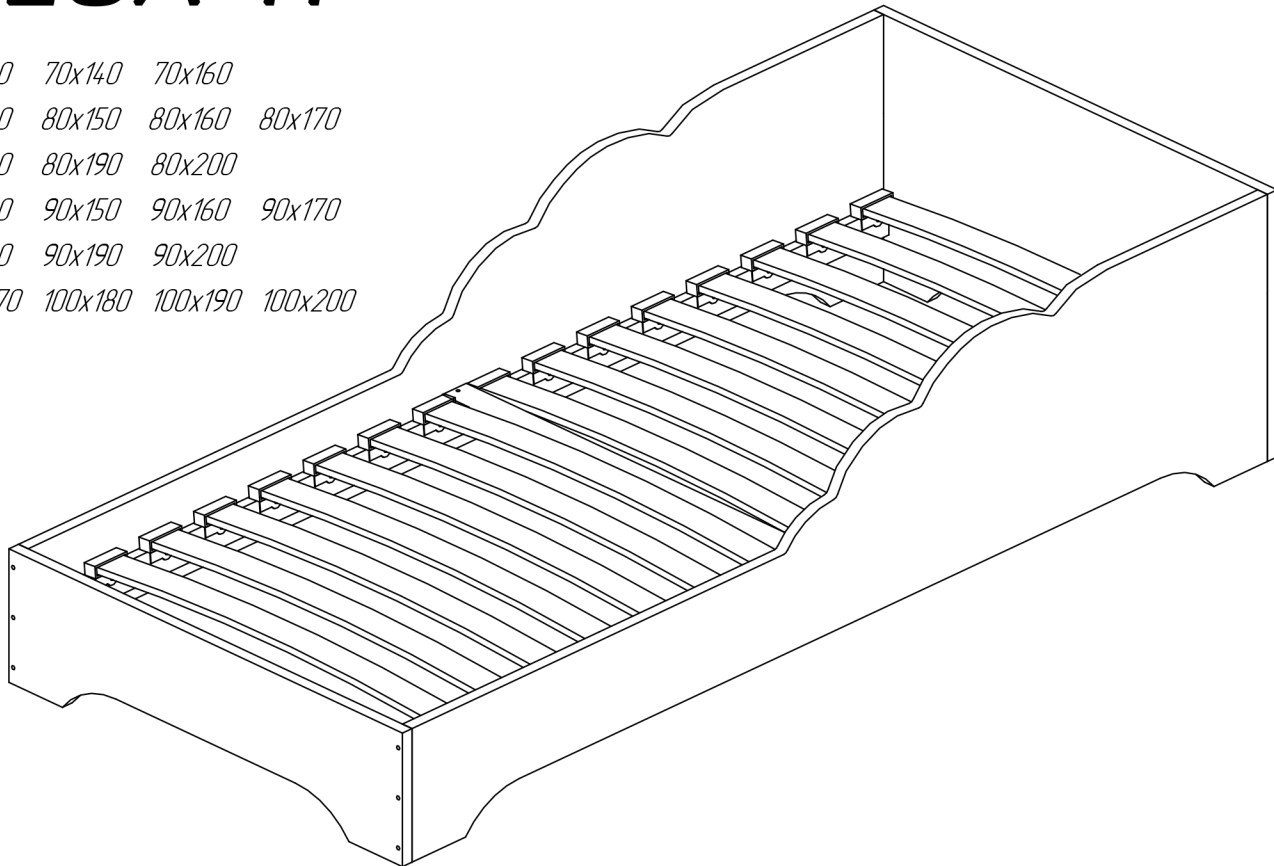
80x140 80x150 80x160 80x170

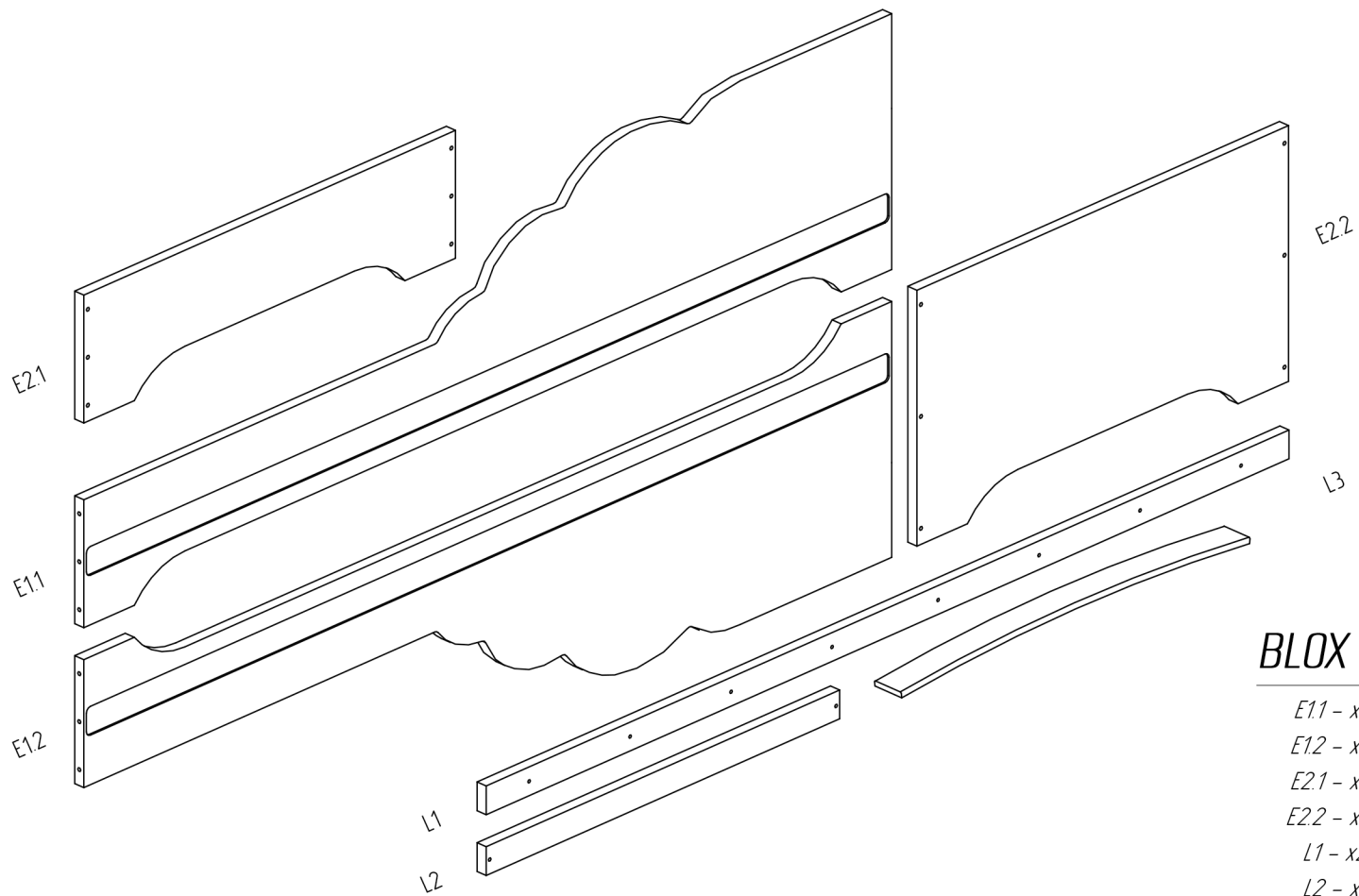
80x180 80x190 80x200

90x140 90x150 90x160 90x170

90x180 90x190 90x200

100x170 100x180 100x190 100x200





BLOX 11

E11 - x1

E12 - x1

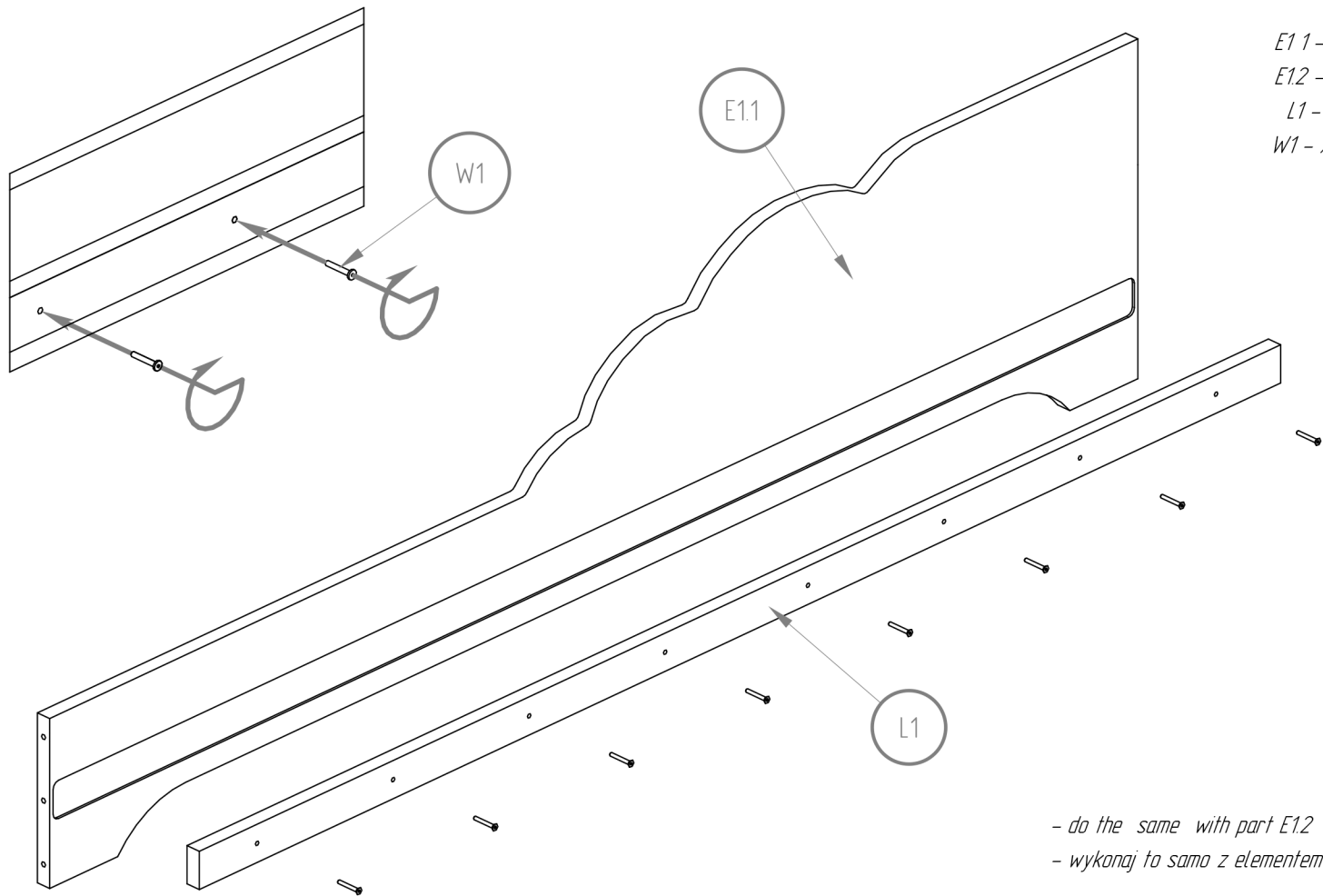
E21 - x1

E22 - x1

L1 - x2

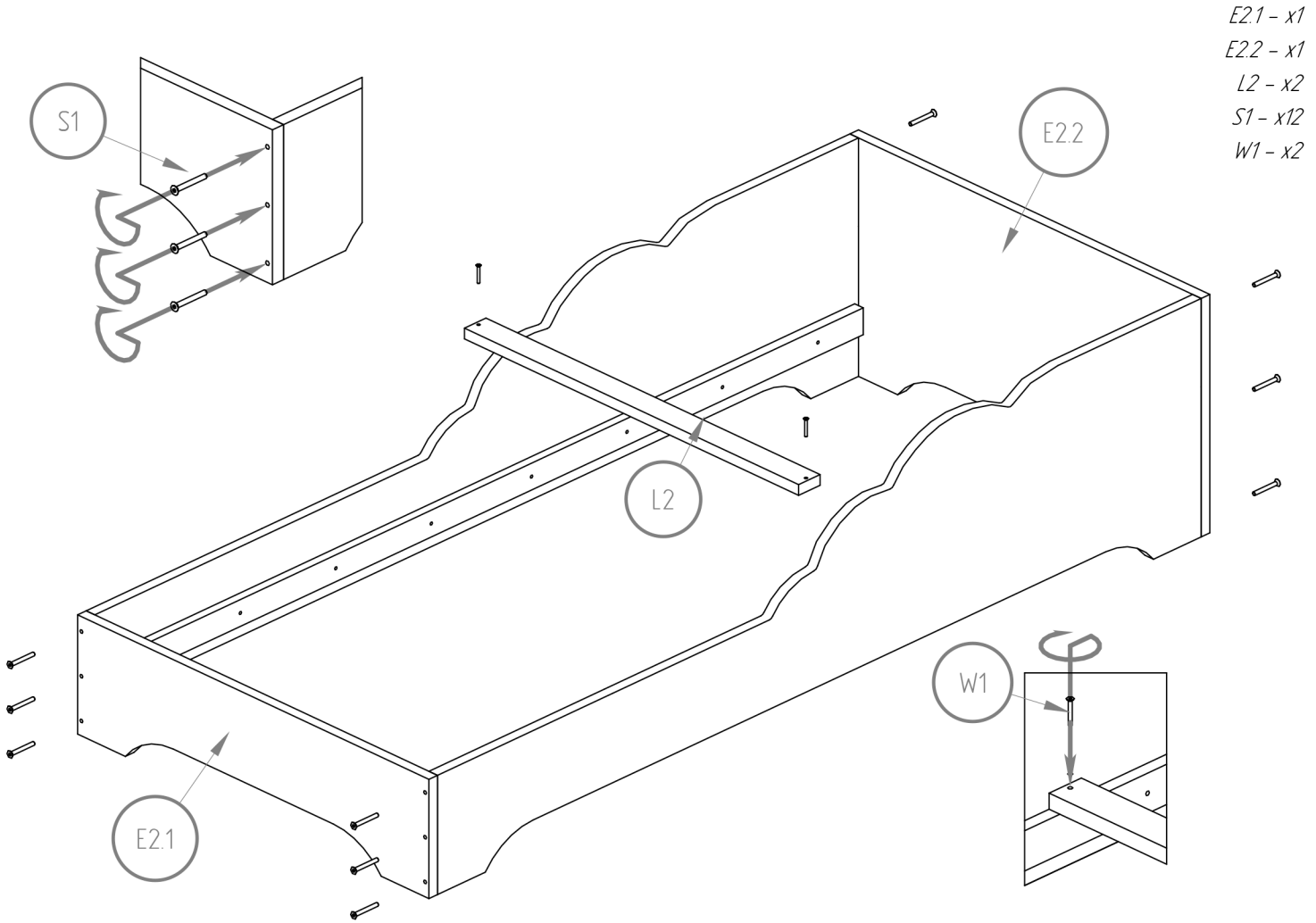
L2 - x1

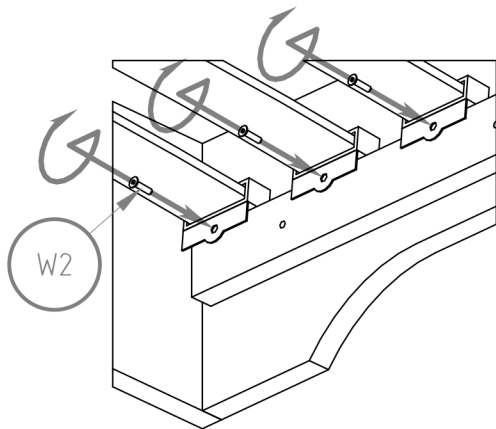
L3 - x16



- E1.1 - x1
- E1.2 - x1
- L1 - x2
- W1 - x16

- do the same with part E1.2
- wykonaj to samo z elementem E1.2

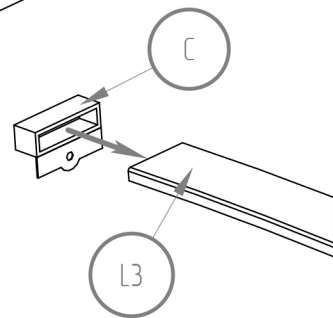
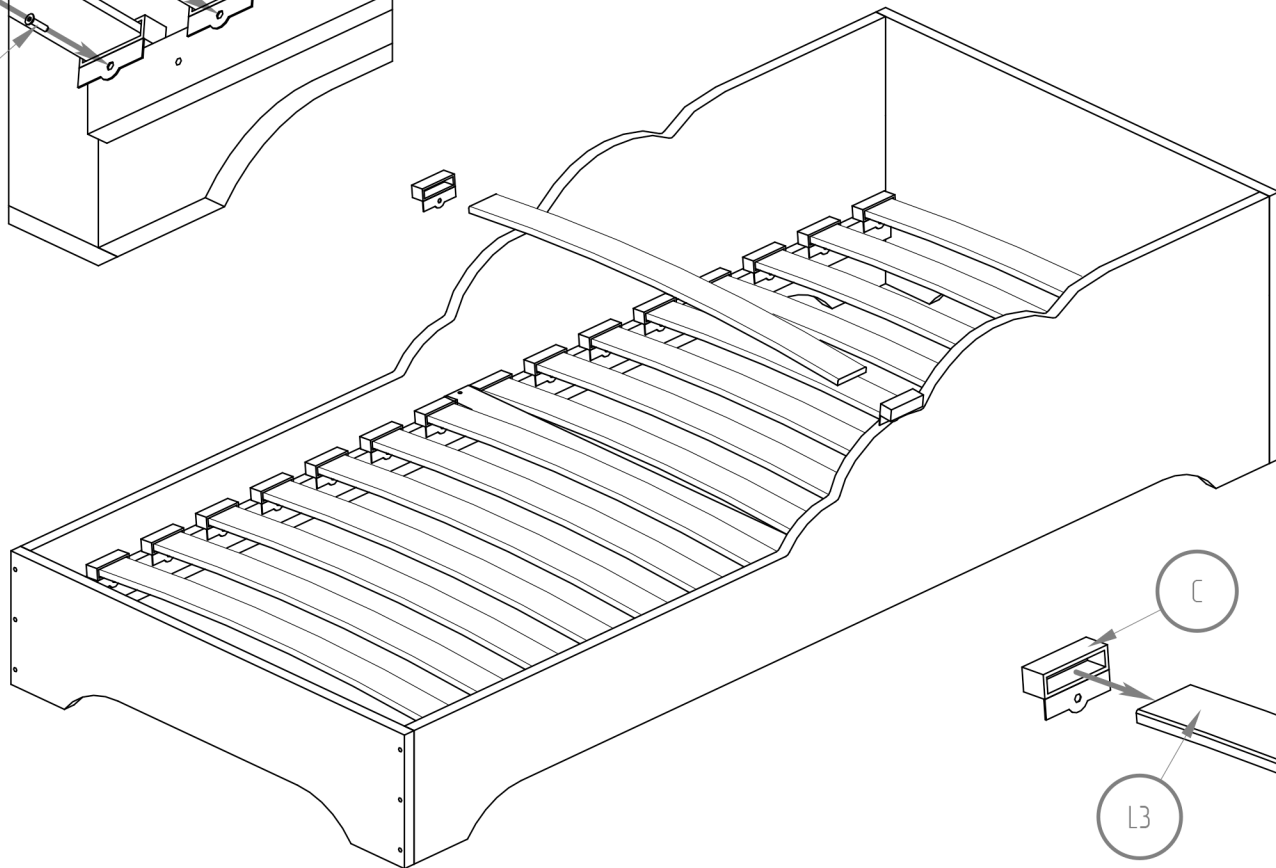




L3 - x16

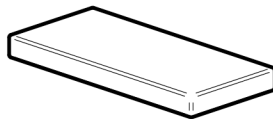
C - x32

W2 - x32





NIE SKAKAĆ
NO JUMPING



Wysokość materaca

Mattress height

min. 8 cm

max. 12 cm



WARNING / UWAGA !

- Używać tylko materacy o grubości 8-12 cm.*
- Nie skakać na łóżku.*
- Zakaz przebywania więcej niż jednej osoby na łóżku.*

Części drewniane i plastikowe należy czyścić za pomocą suchej szmatki oraz zwykłych, łagodnych środków do pielęgnacji i czyszczenia surowego drewna.

- Use only mattress with thickness is 8-12 cm height.*
- Prohibit horseplay on bed*
- Prohibit more than one person on bunk.*

Wooden and plastic parts should be cleaned with a dry cloth and ordinary, mild care and cleaning of raw wood