

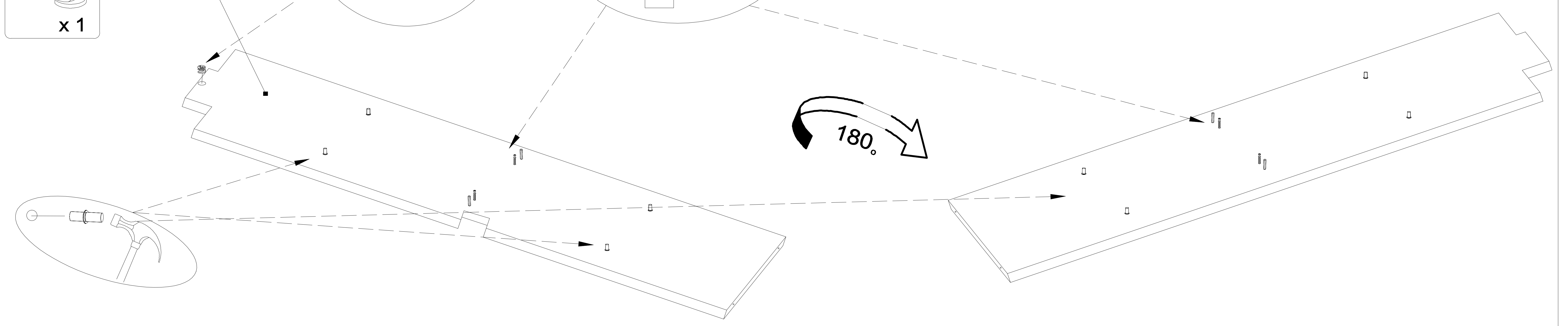
VII

PD
x 8

K6
x 2

MMD
x 2

MM1
x 1

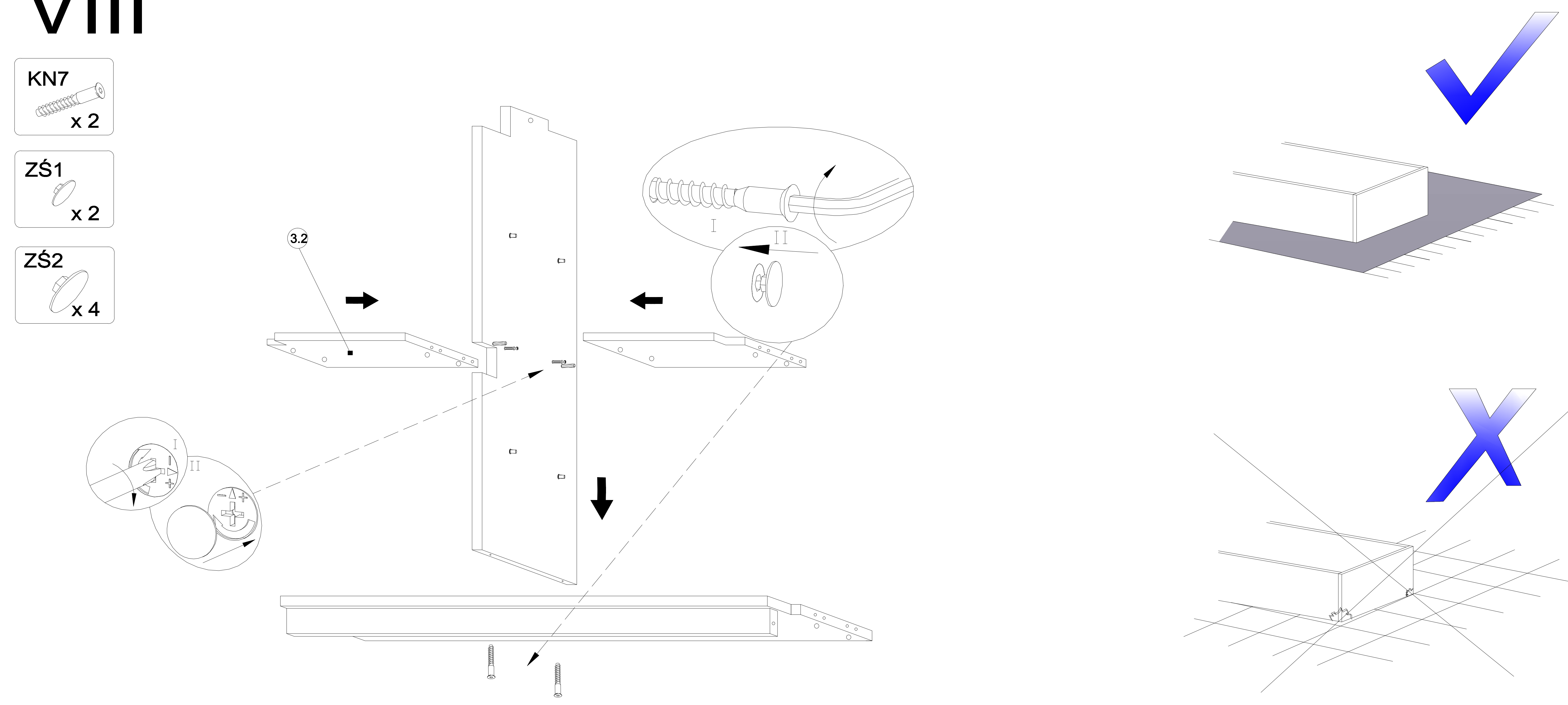


VIII

KN7
x 2

ZŚ1
x 2

ZŚ2
x 4



IX

ZŚ2
x 8

