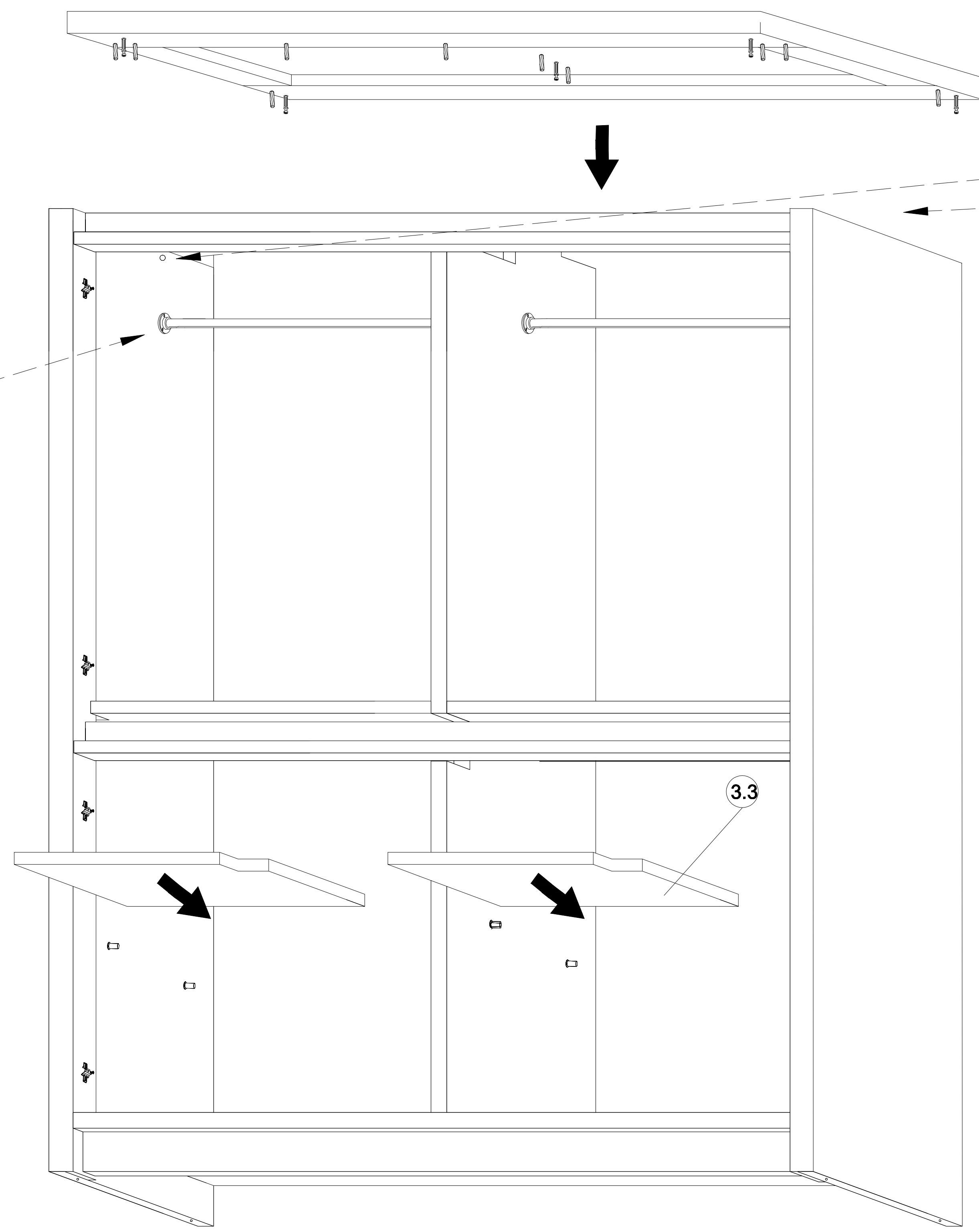
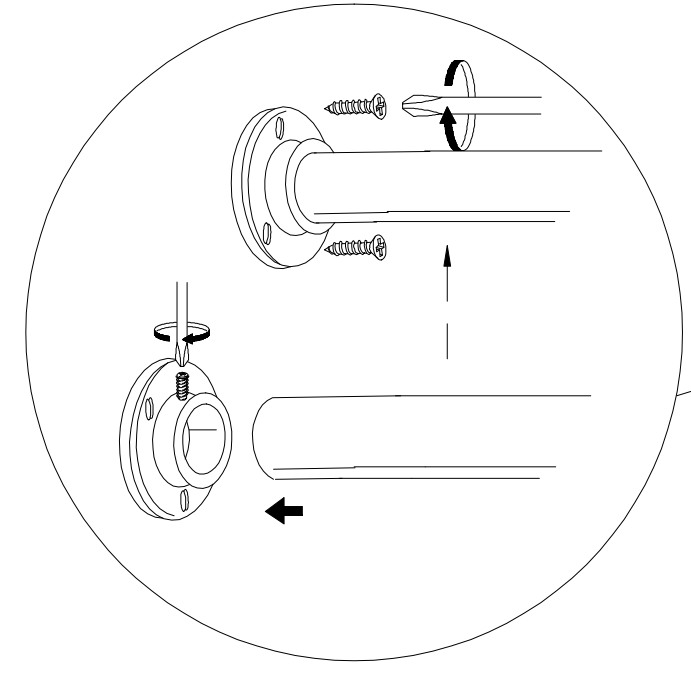


X

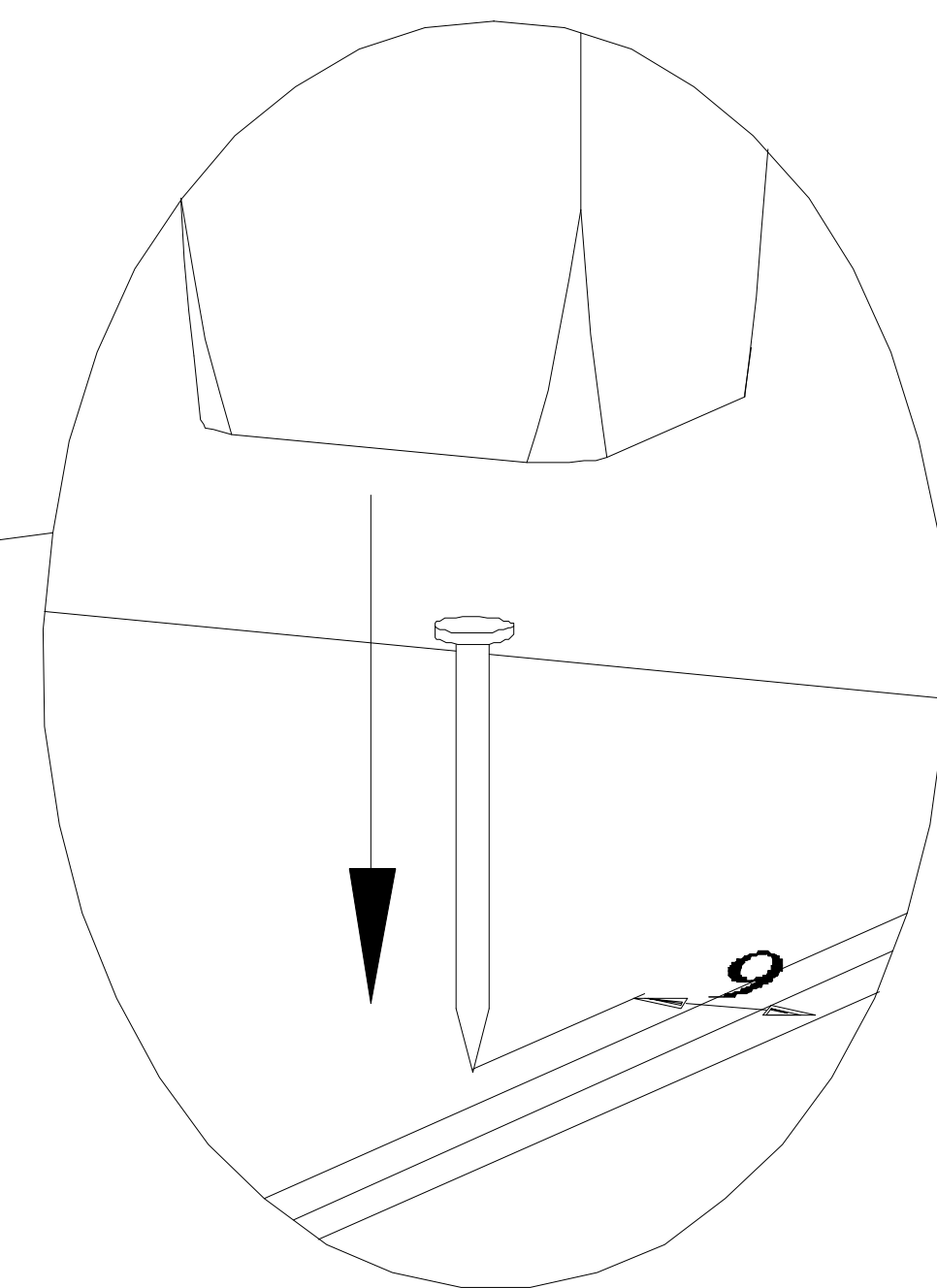
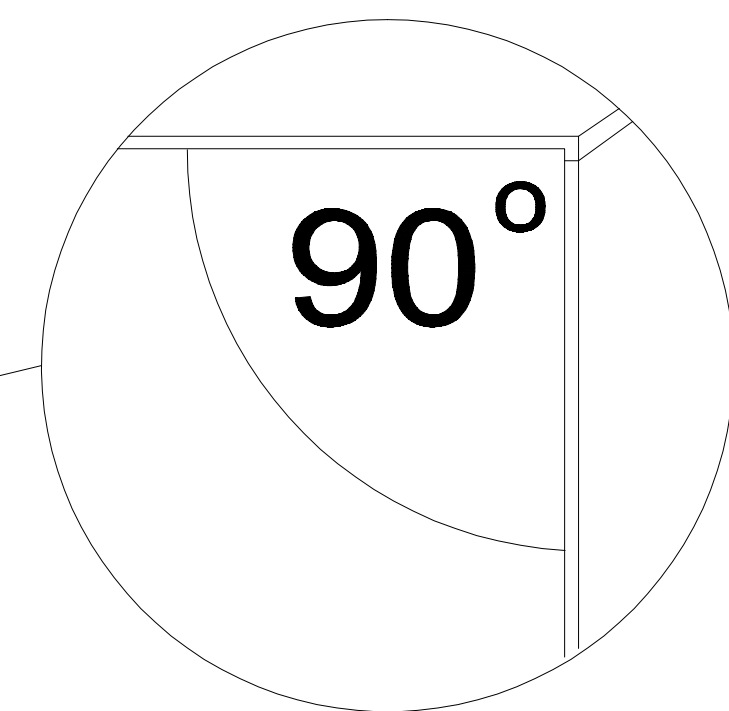
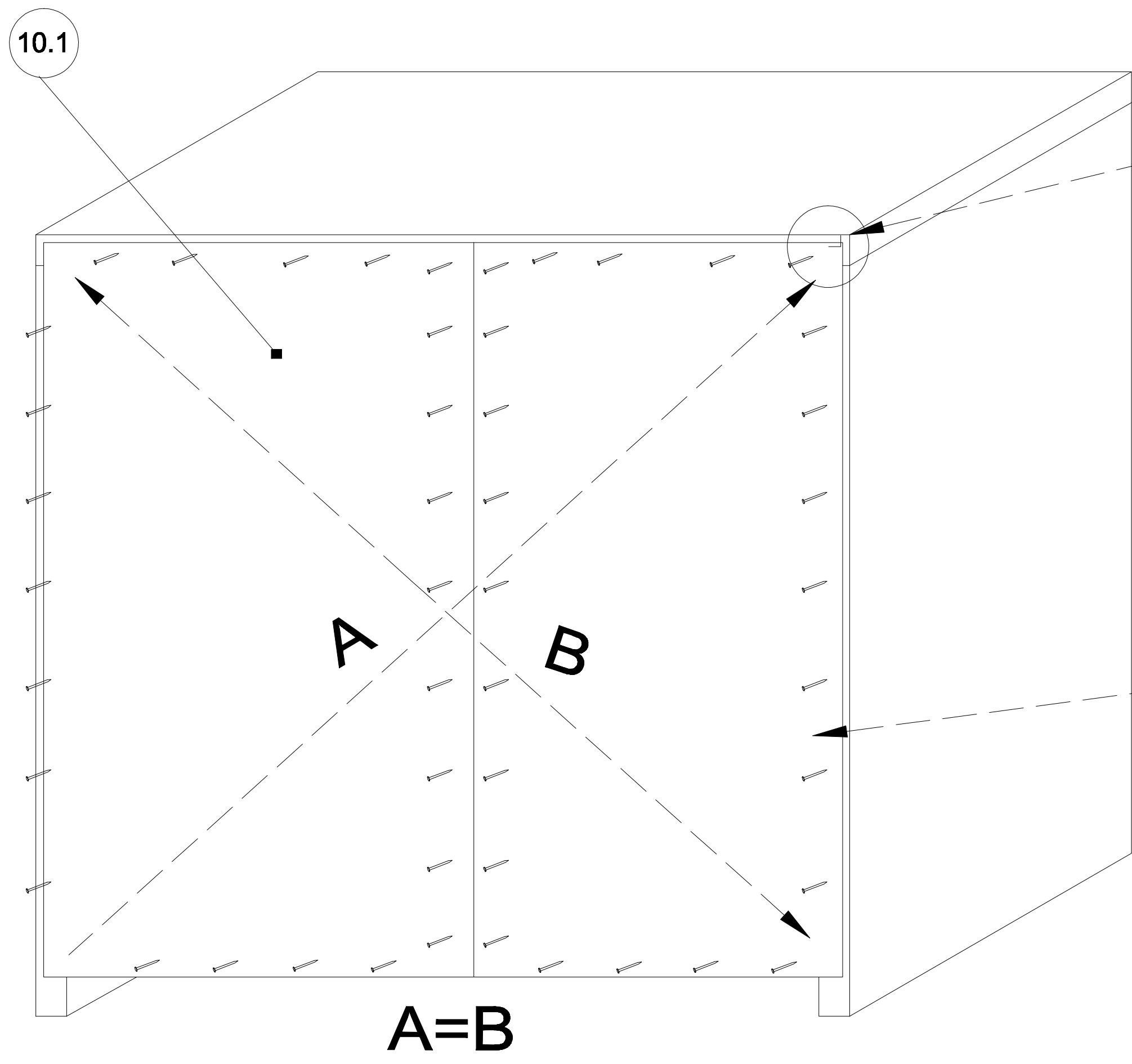
DR
x 4

ZŚ2
x 5



XI

GW
x 50



XII

