

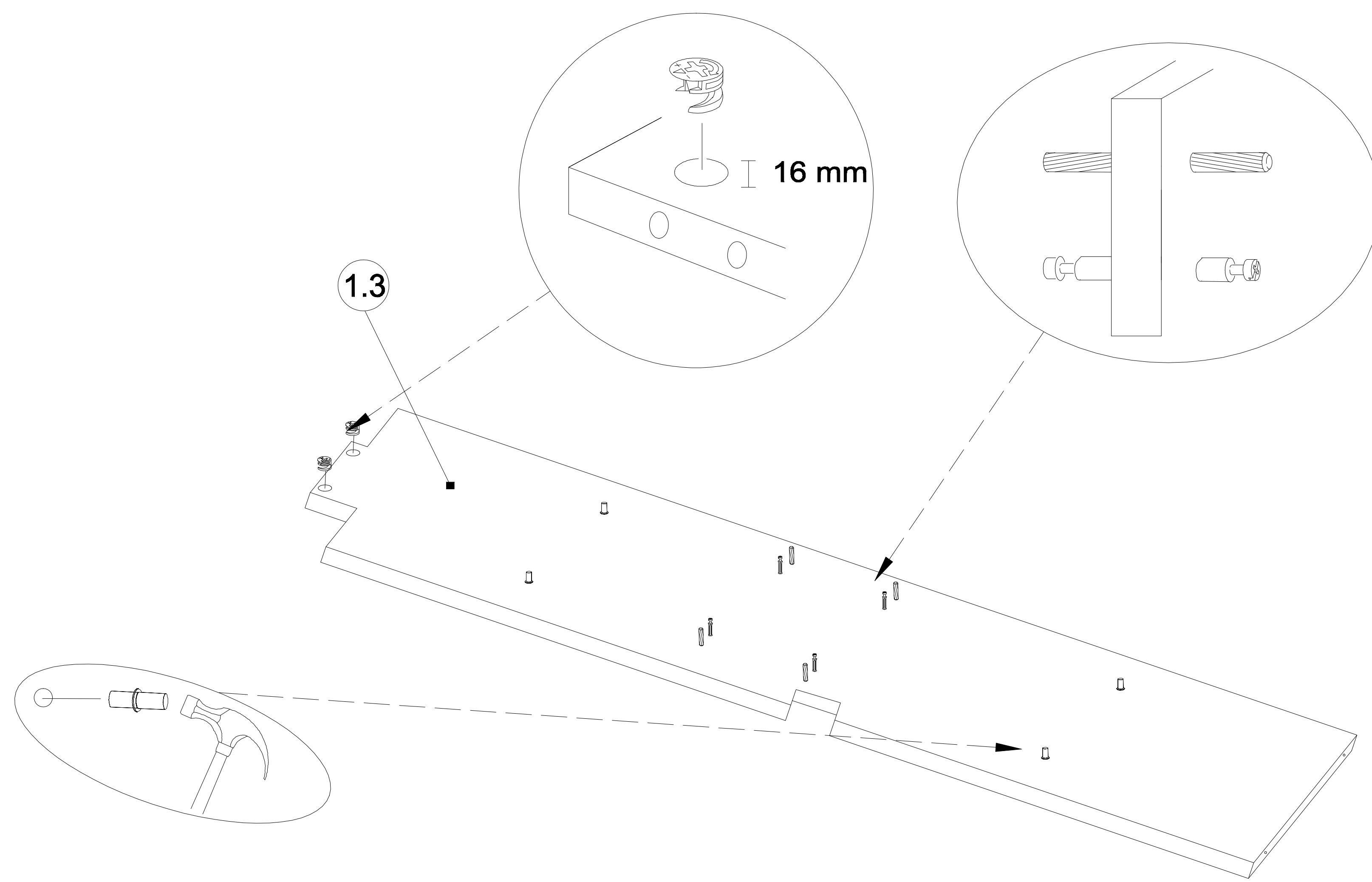
# VII

PD  
x 8

K6  
x 4

MMD  
x 4

MM1  
x 2

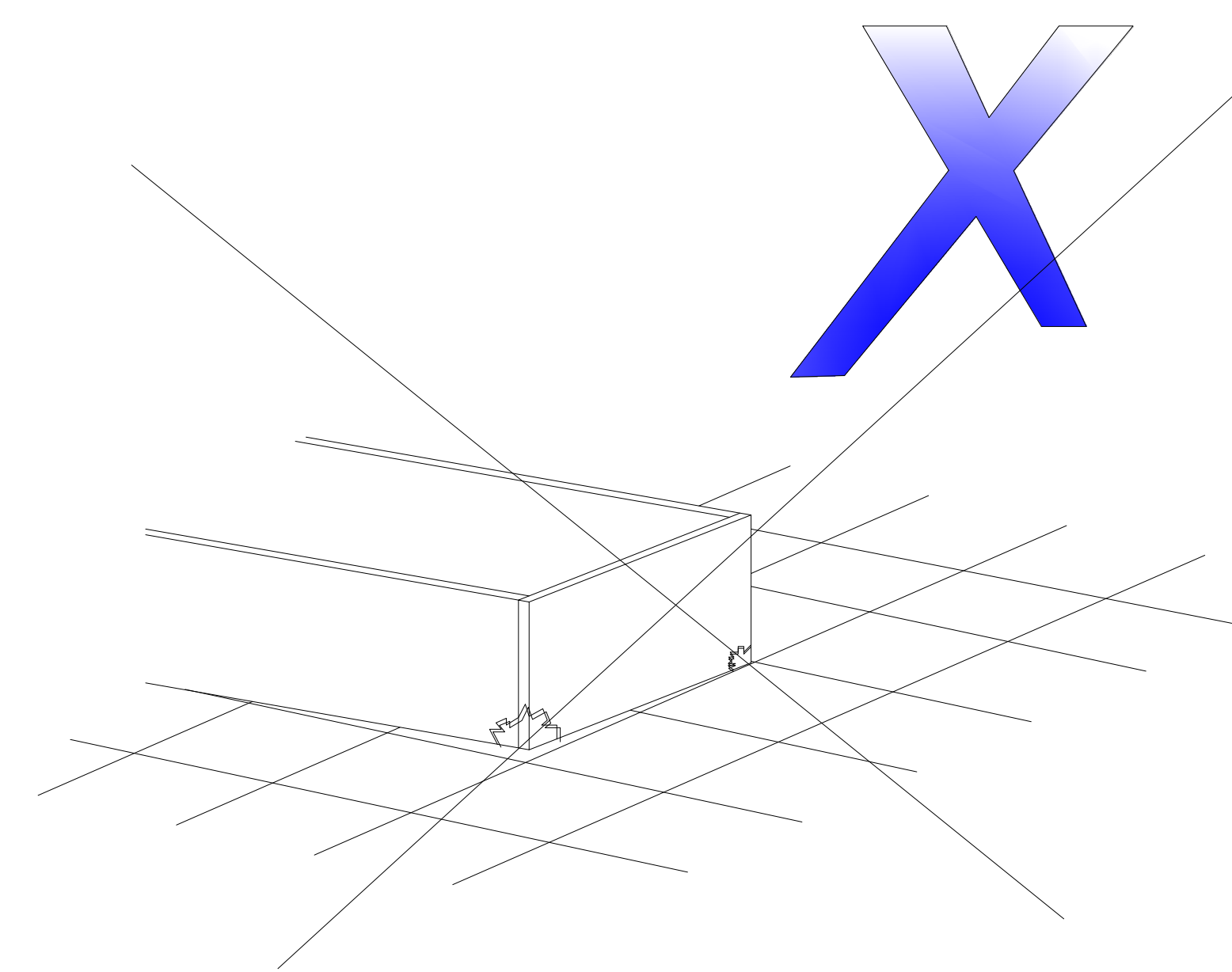
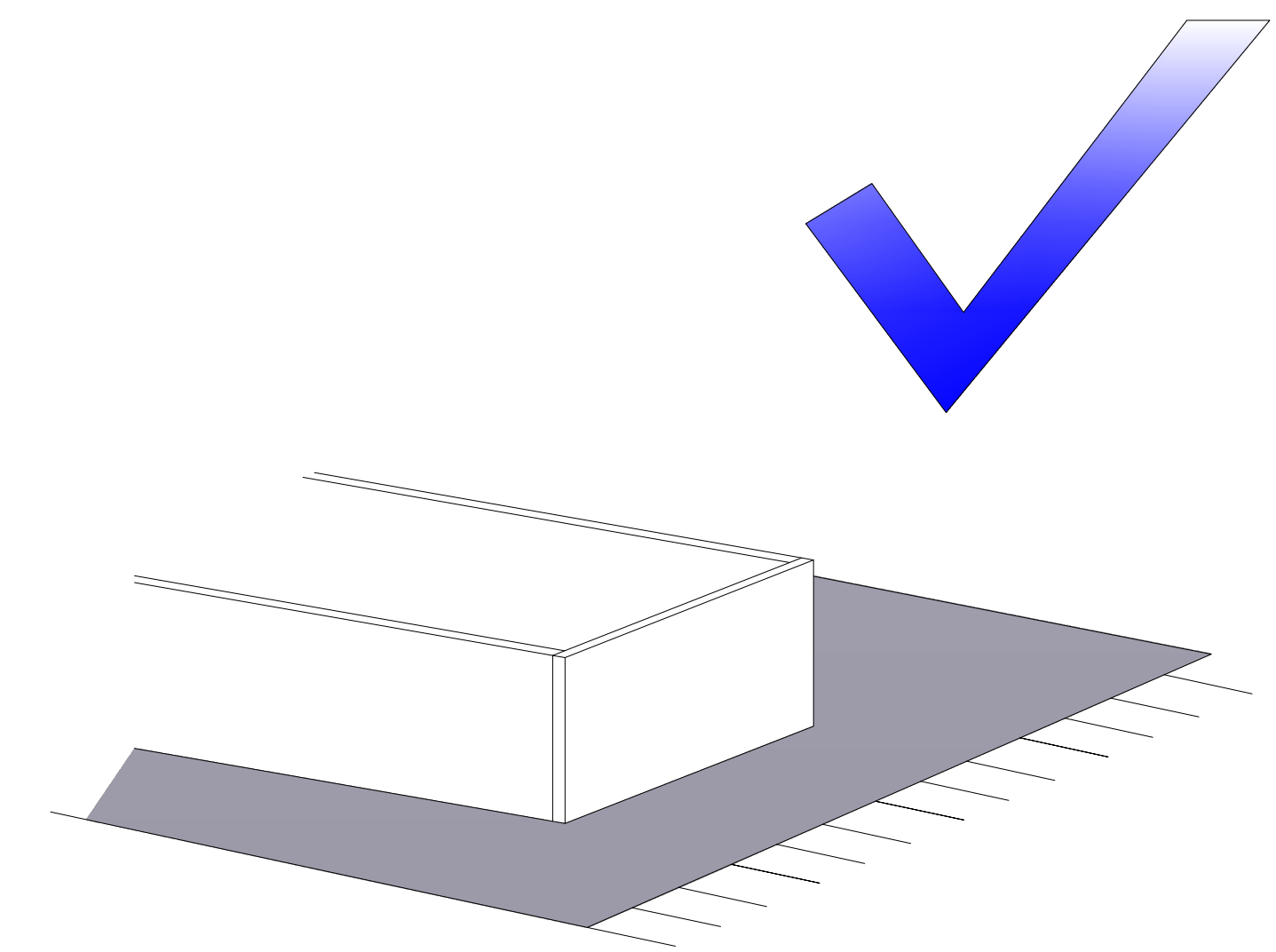
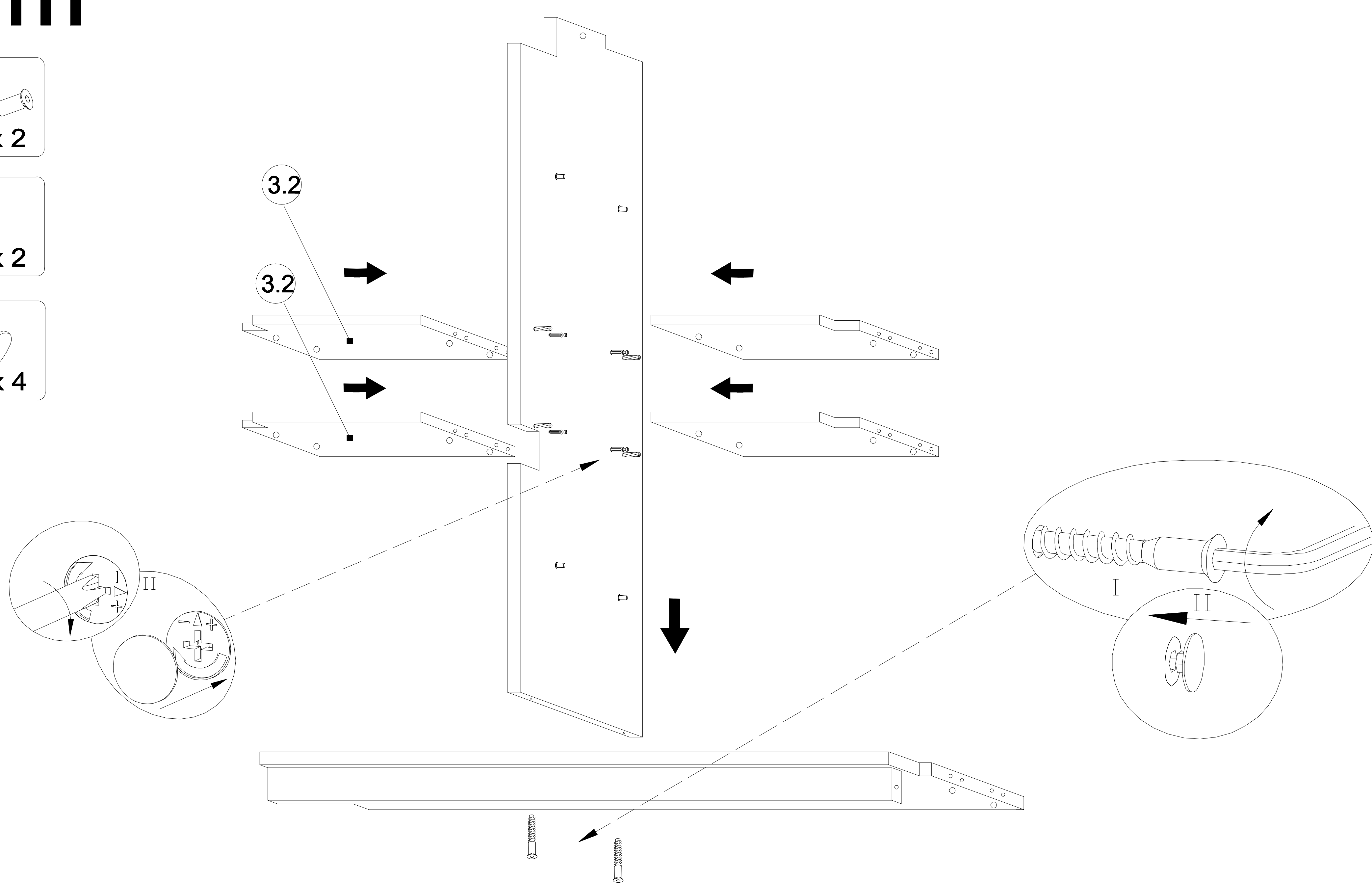


# VIII

KN7  
x 2

ZŚ1  
x 2

ZŚ2  
x 4



# IX

ZŚ2  
x 8

