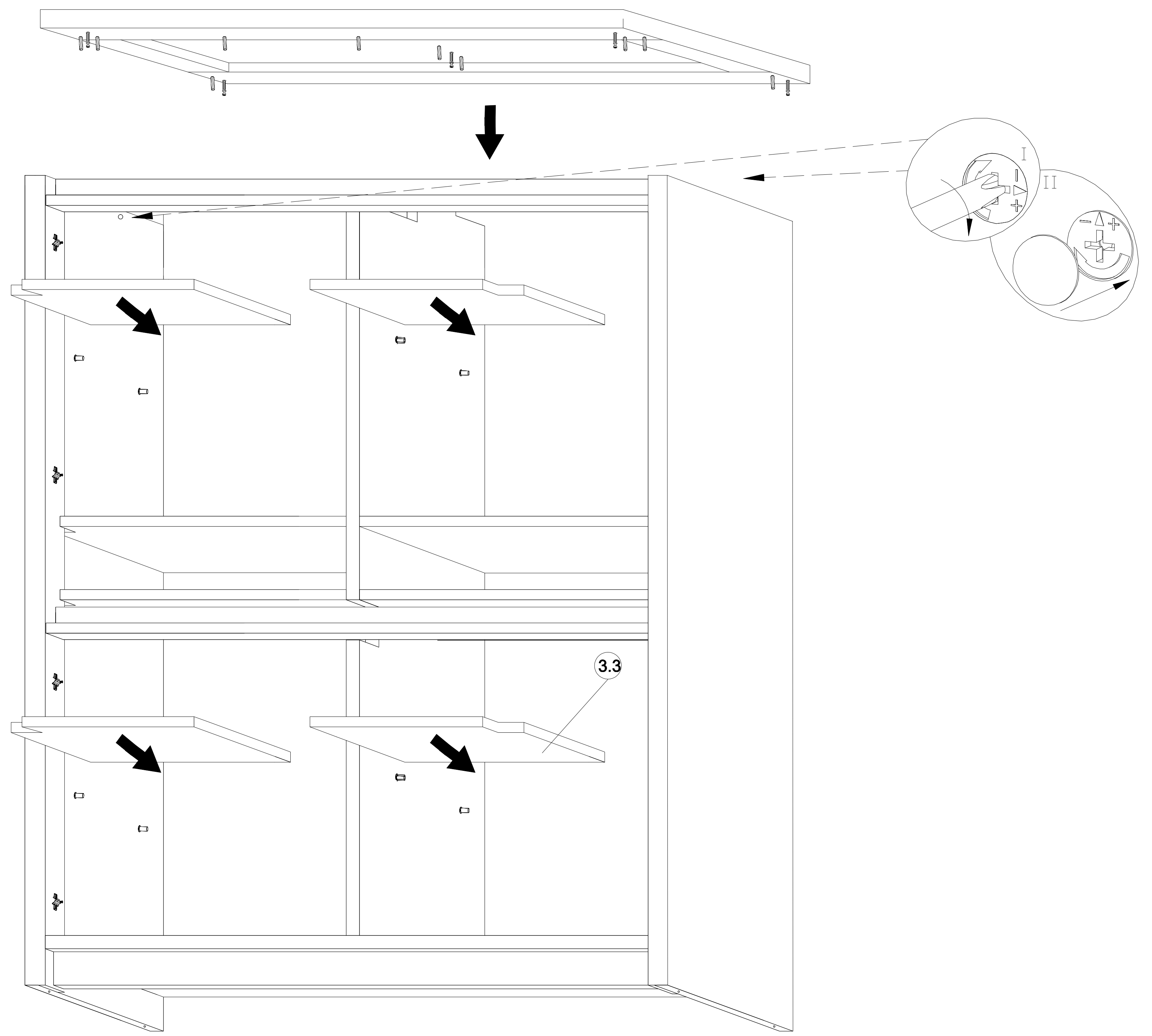


X

ZŚ2
x 5

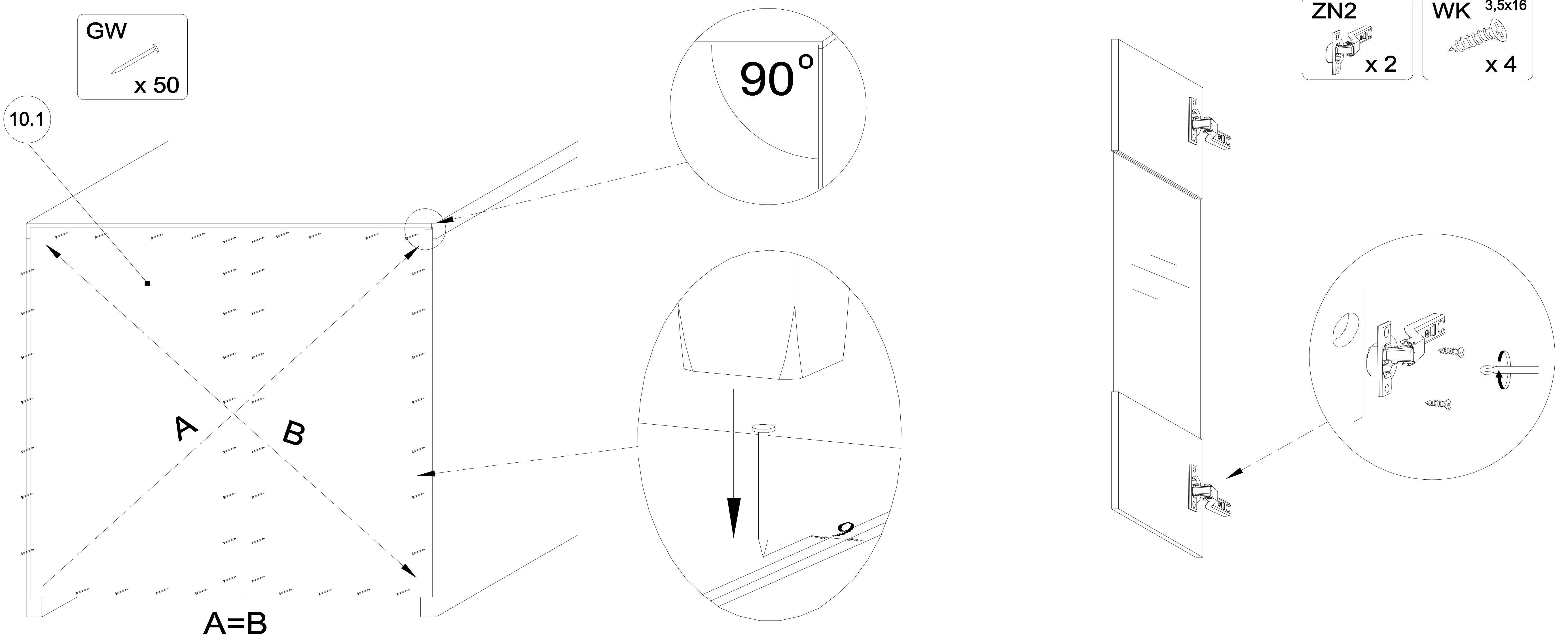


XI

GW
x 50

ZN2
x 2

WK 3,5x16
x 4



XII

