

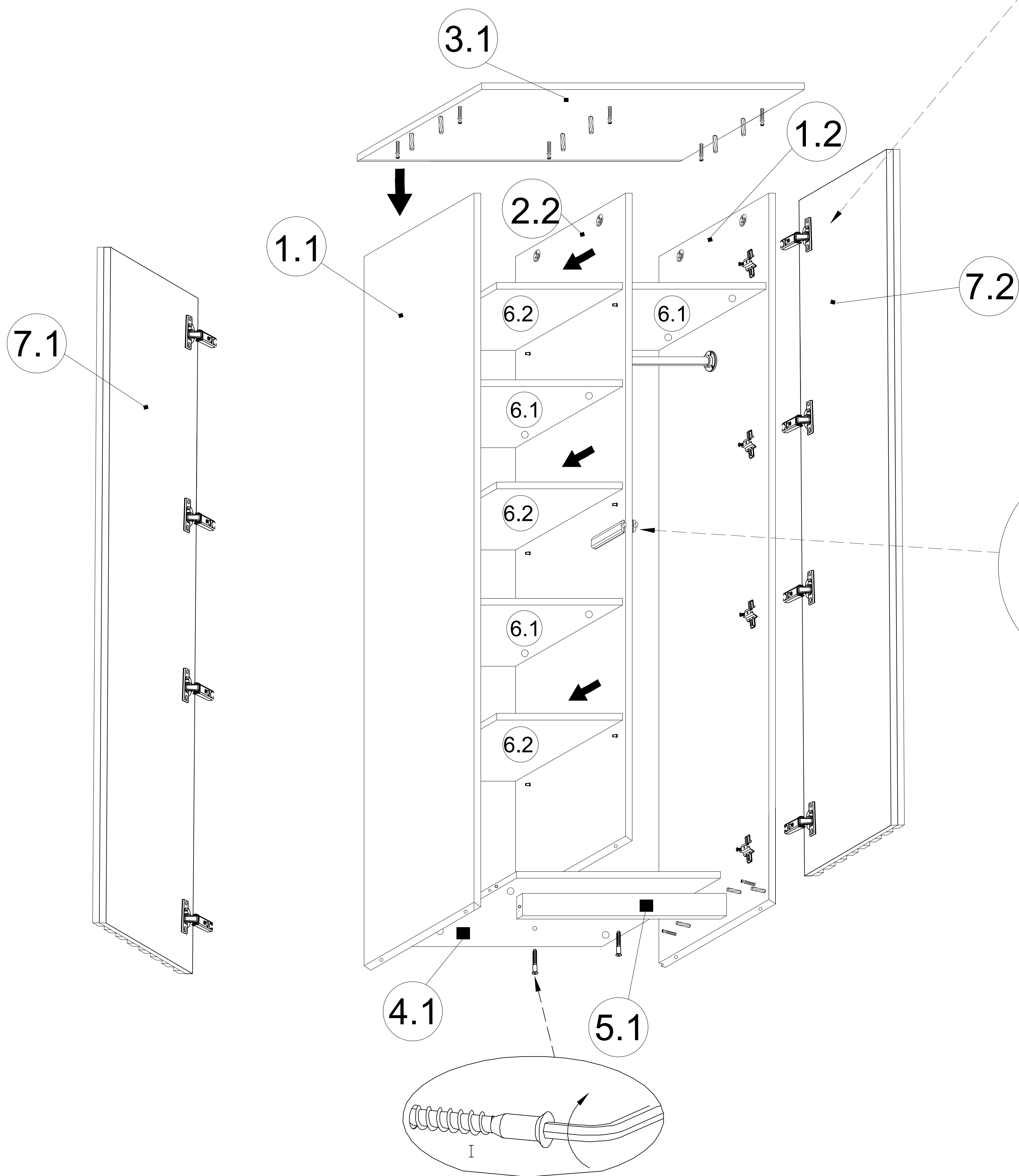
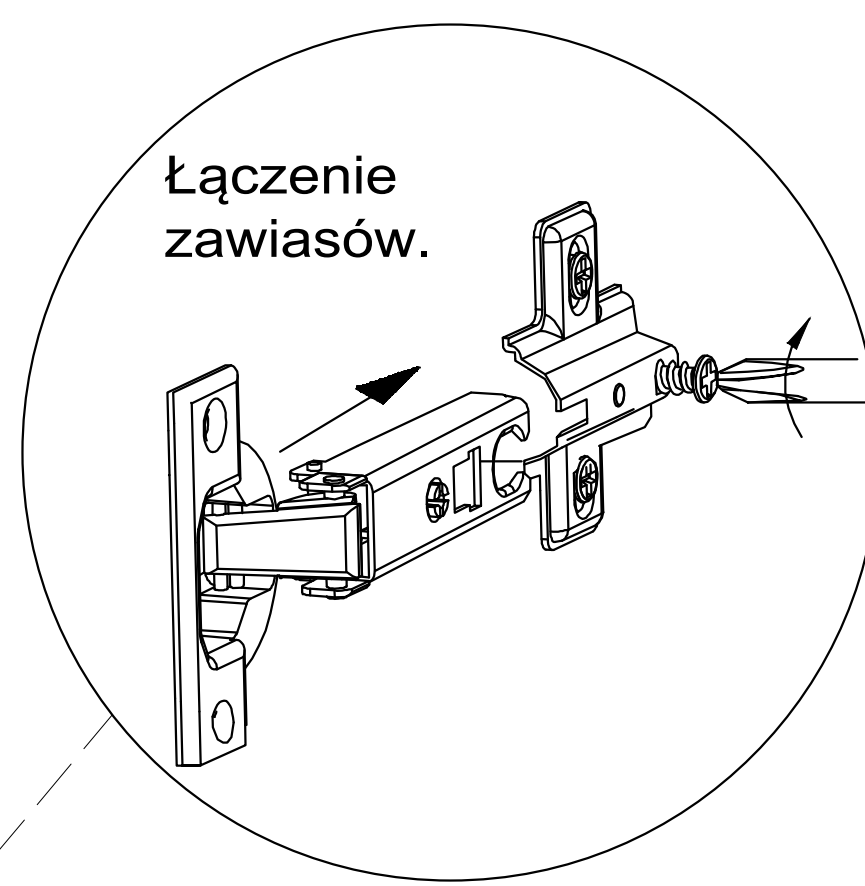
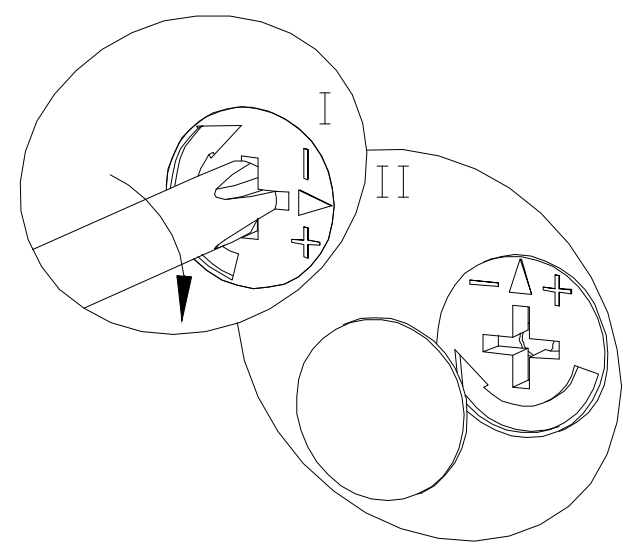
XI

ZŚ2
x 8

ZŚ1
x 2

KN7
x 2

KL
x 1



XII

GW
x 80

