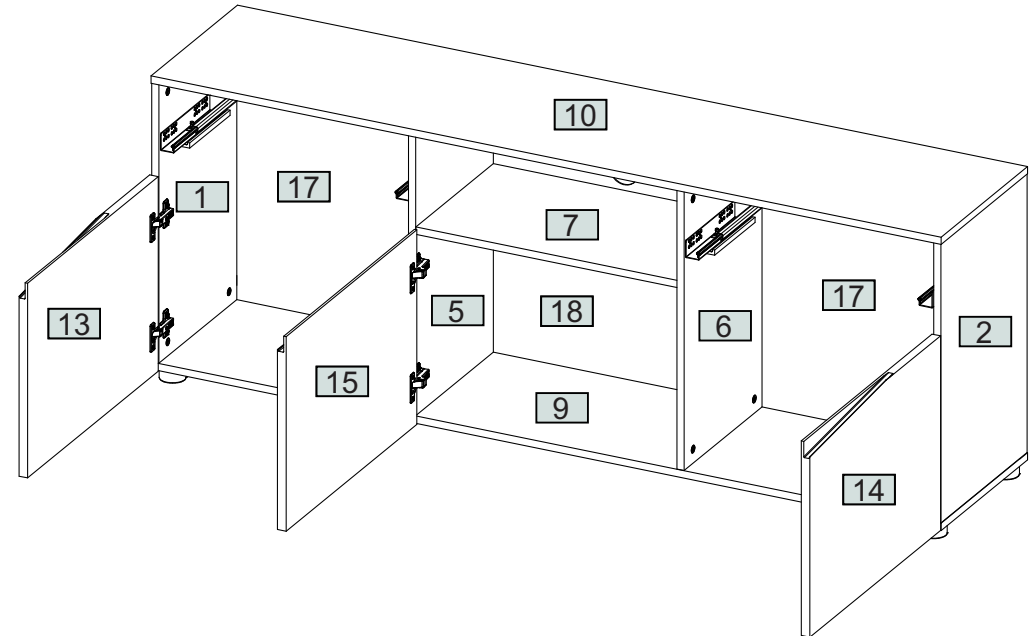
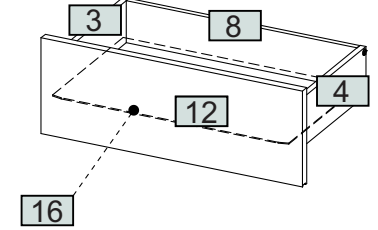
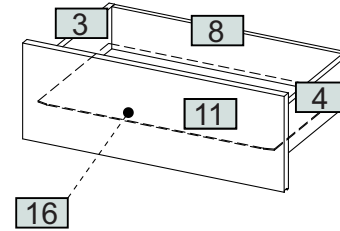
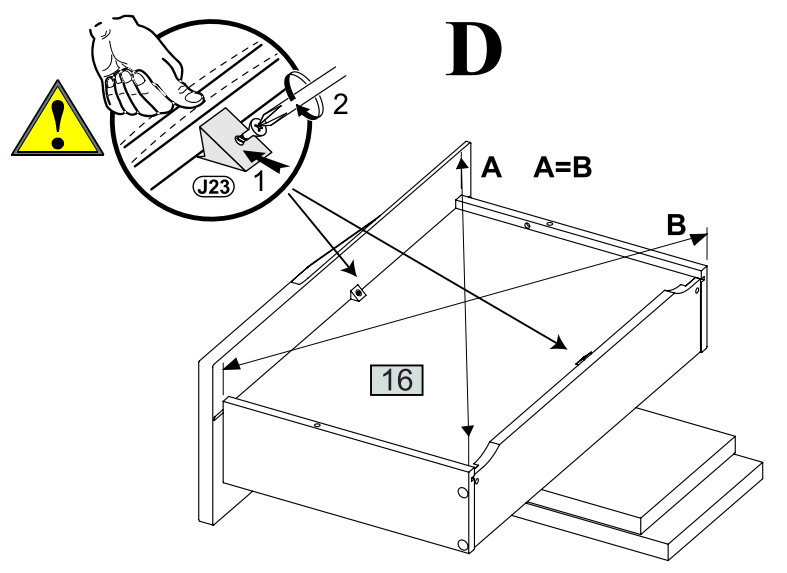
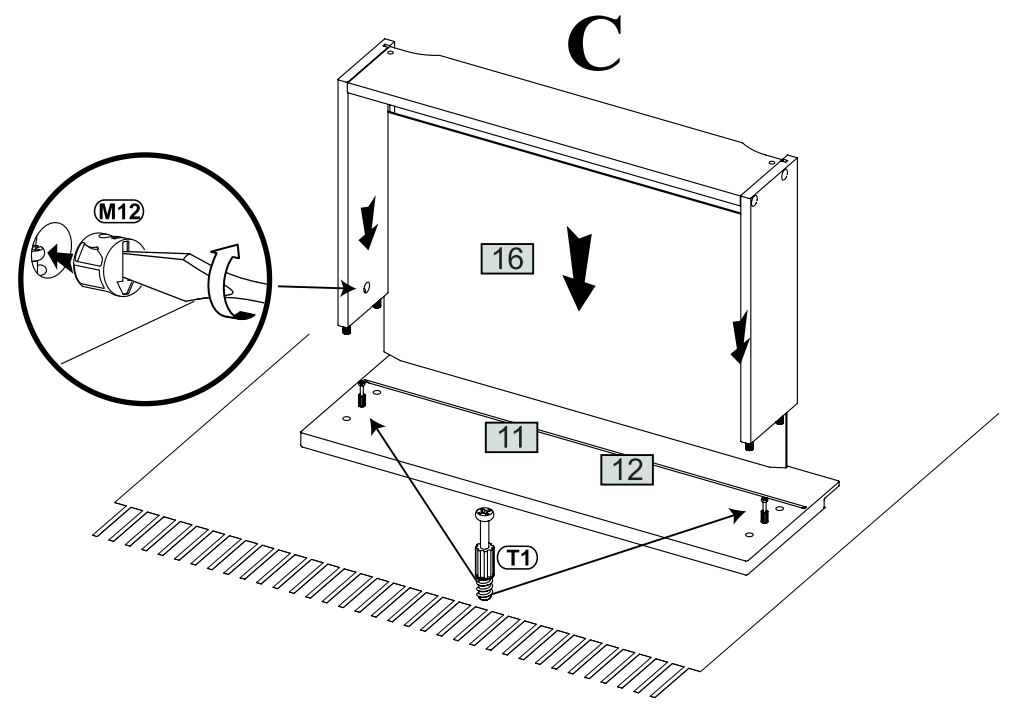
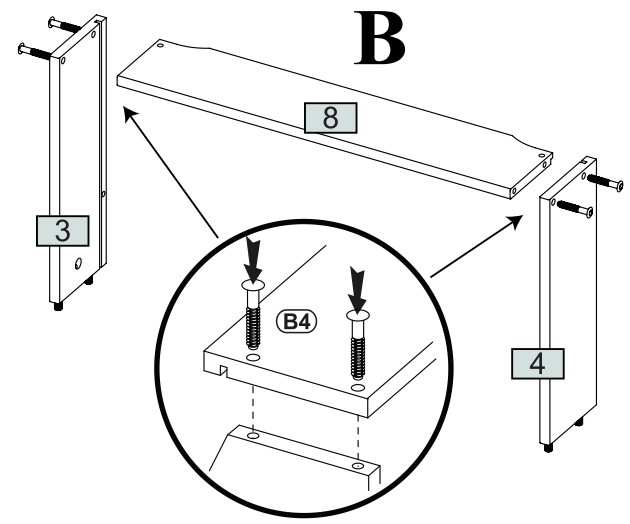
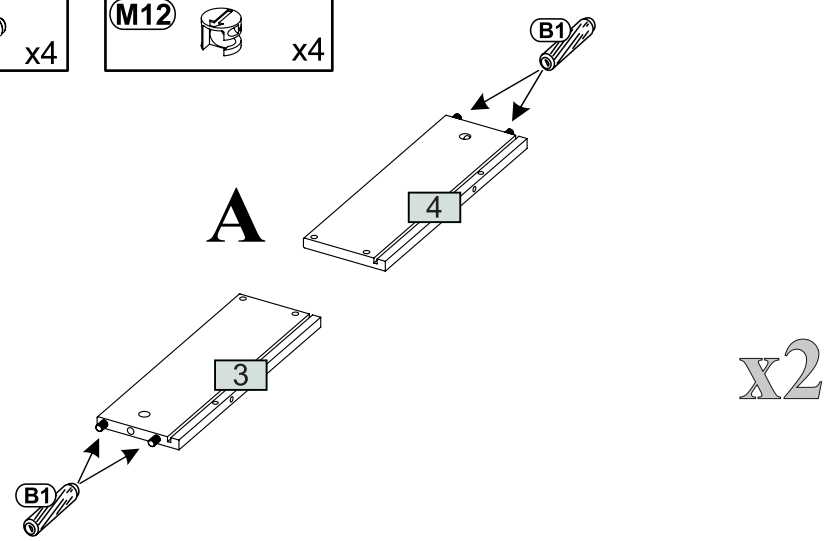
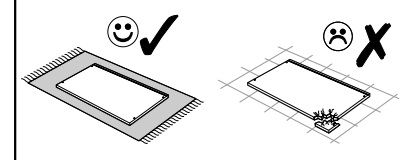
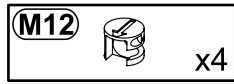
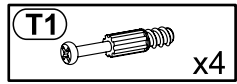
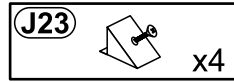
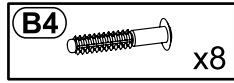
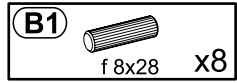




| Nr | Ausmaß | | | St | Colli |
|----|--------|-----|----|----|-------|
| 1 | 570 | 360 | 15 | 1 | 1 |
| 2 | 570 | 360 | 15 | 1 | 1 |
| 3 | 300 | 100 | 12 | 2 | 2 |
| 4 | 300 | 100 | 12 | 2 | 2 |
| 5 | 570 | 325 | 15 | 1 | 1 |
| 6 | 570 | 325 | 15 | 1 | 1 |
| 7 | 546 | 324 | 15 | 1 | 1 |
| 8 | 481 | 100 | 12 | 2 | 2 |
| 9 | 1650 | 361 | 15 | 1 | 1 |
| 10 | 1650 | 361 | 15 | 1 | 1 |
| 11 | 546 | 196 | 18 | 1 | 2 |
| 12 | 546 | 196 | 18 | 1 | 2 |
| 13 | 398 | 546 | 18 | 1 | 2 |
| 14 | 398 | 546 | 18 | 1 | 2 |
| 15 | 398 | 546 | 18 | 1 | 2 |
| 16 | 299 | 492 | 2 | 2 | 2 |
| 17 | 584 | 535 | 2 | 2 | 2 |
| 18 | 584 | 560 | 2 | 1 | 2 |

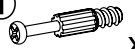


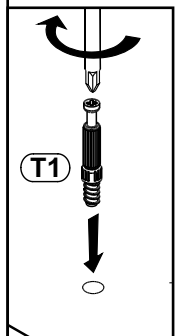
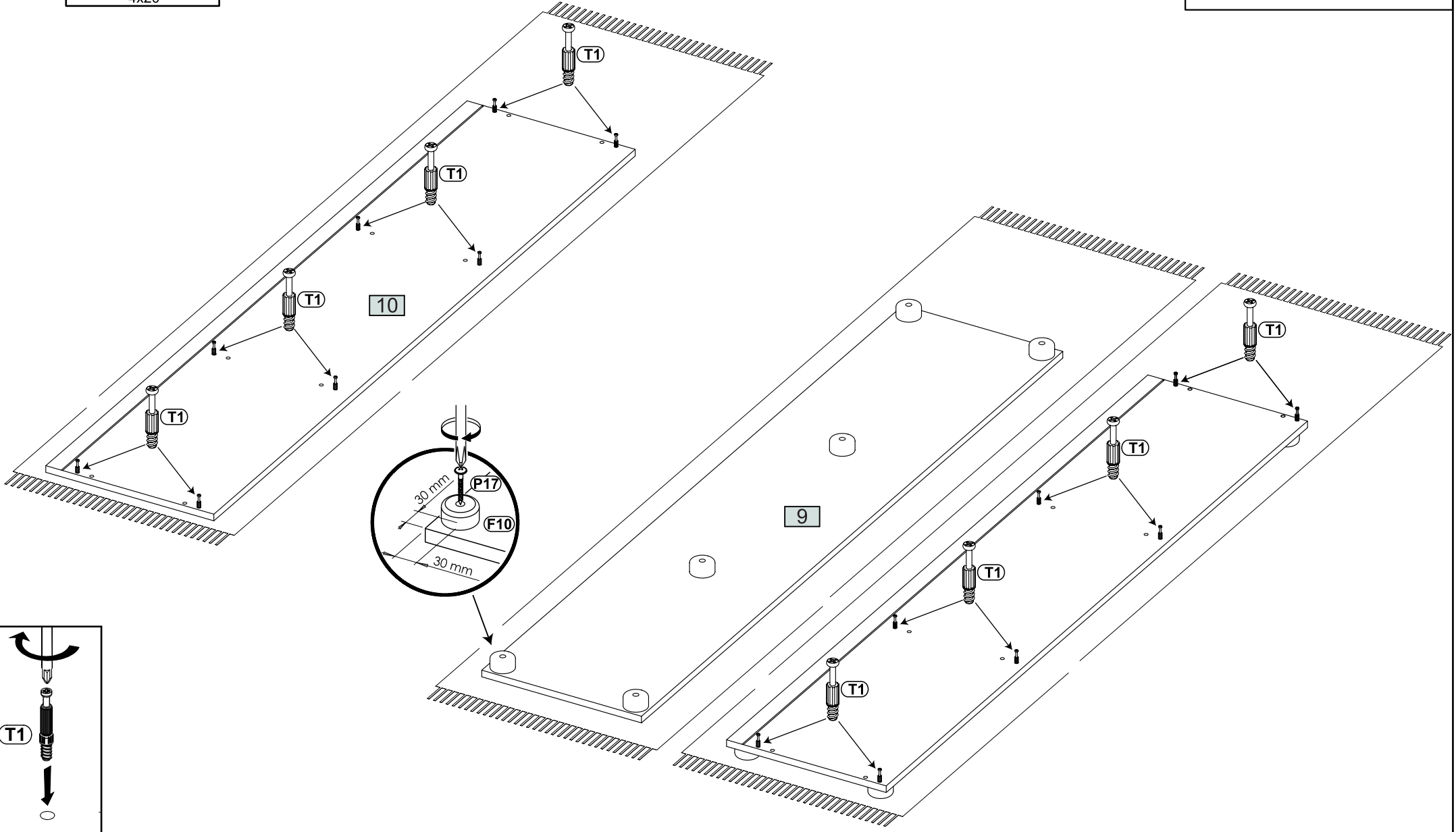
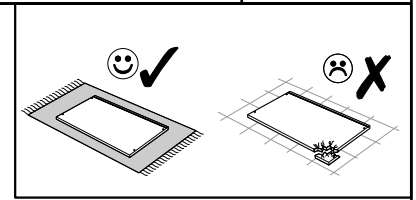
1



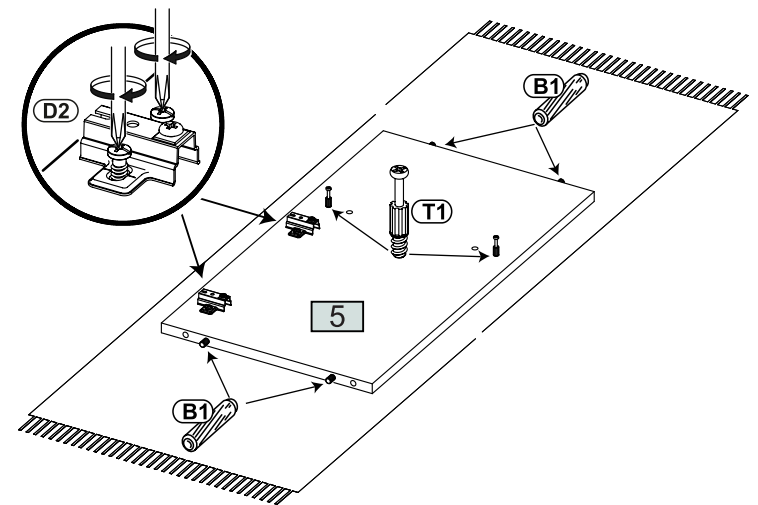
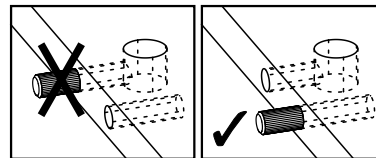
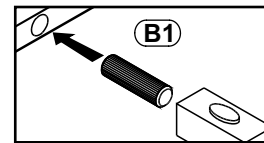
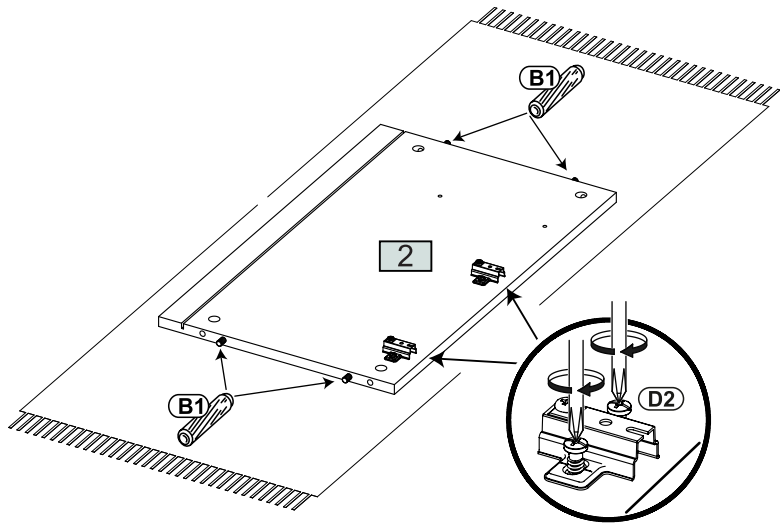
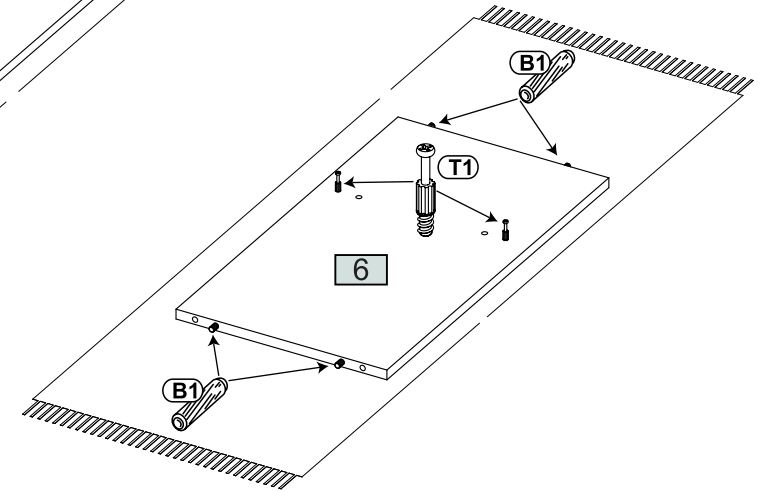
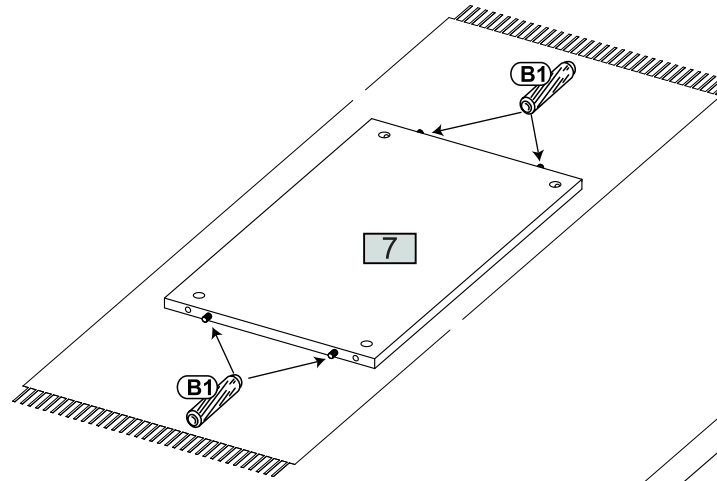
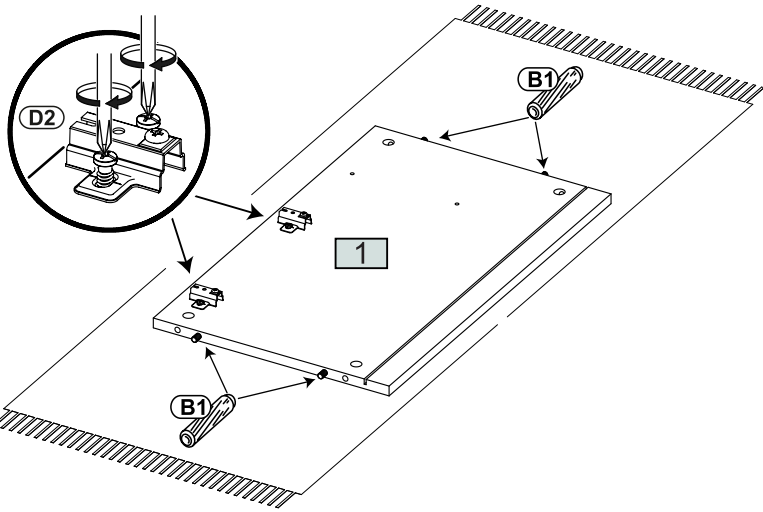
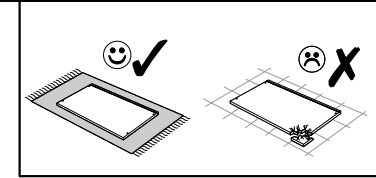
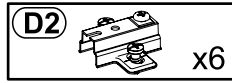
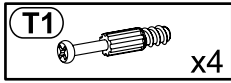
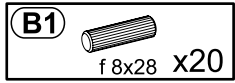
2

| | | |
|------------|---|------|
| F10 |  | x6 |
| P17 |  | x6 |
| | | 4x20 |

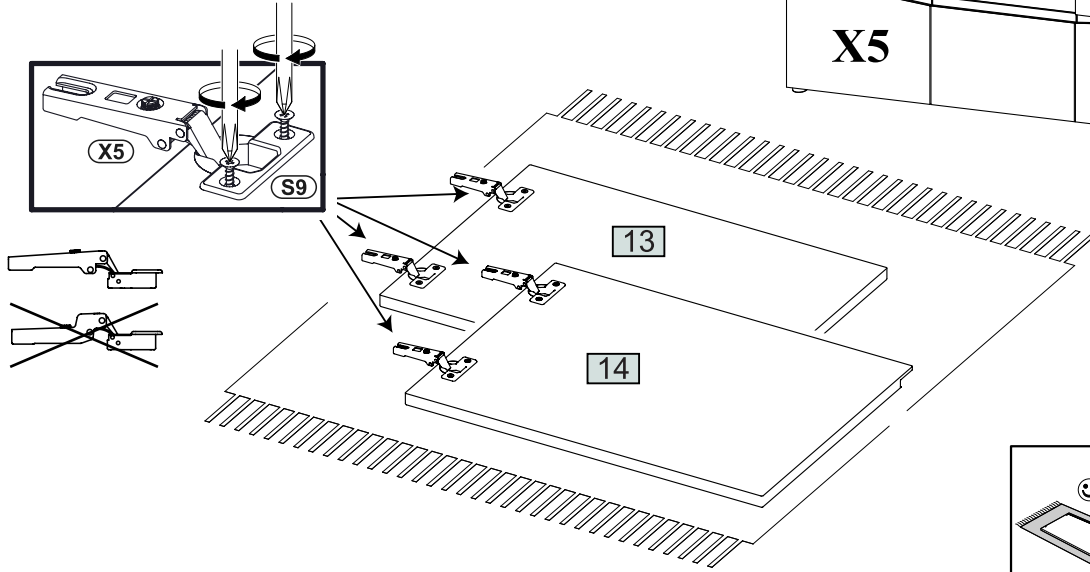
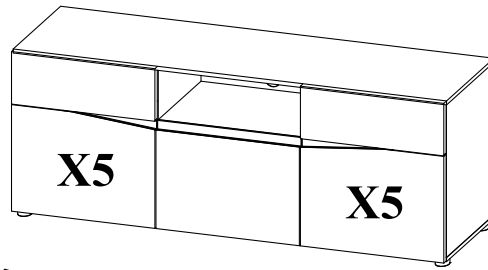
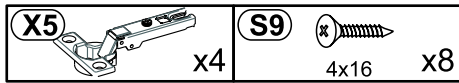
| | | |
|-----------|---|-----|
| T1 |  | x16 |
|-----------|---|-----|



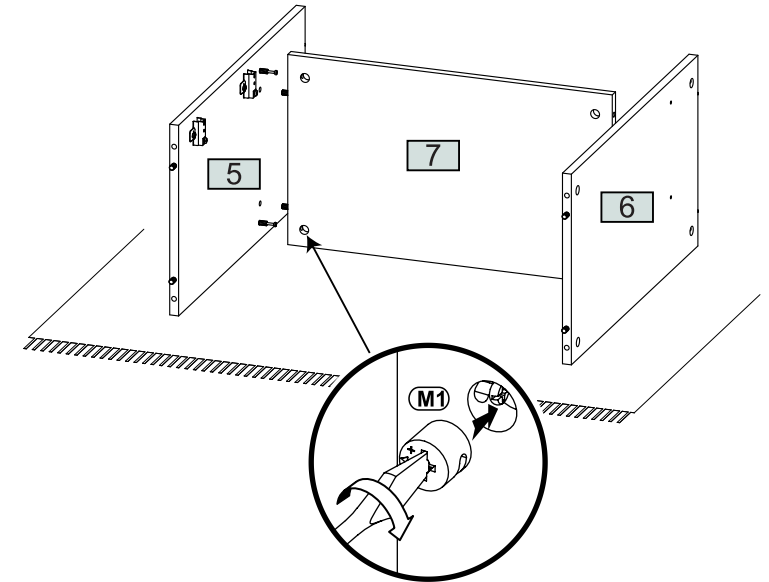
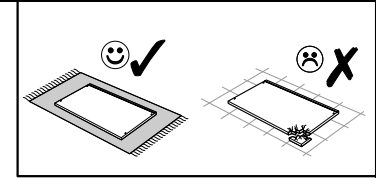
3



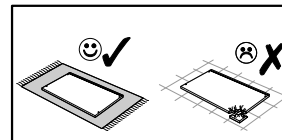
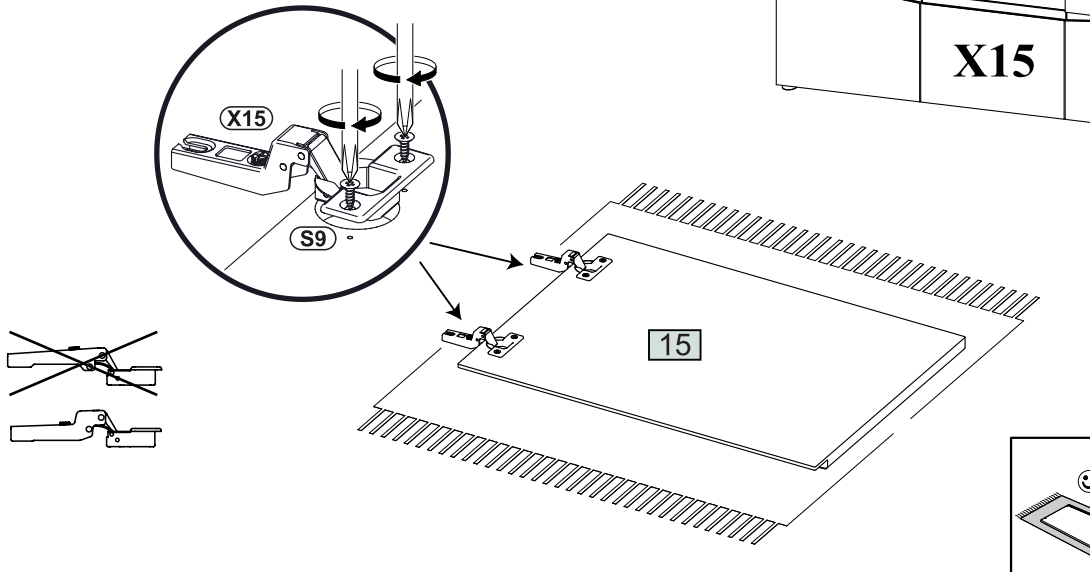
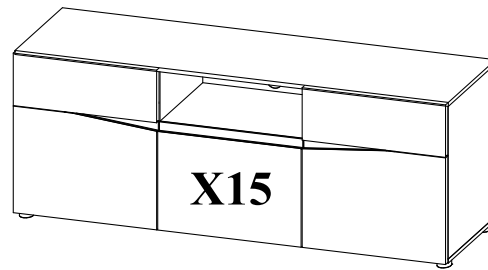
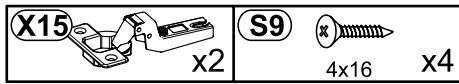
4




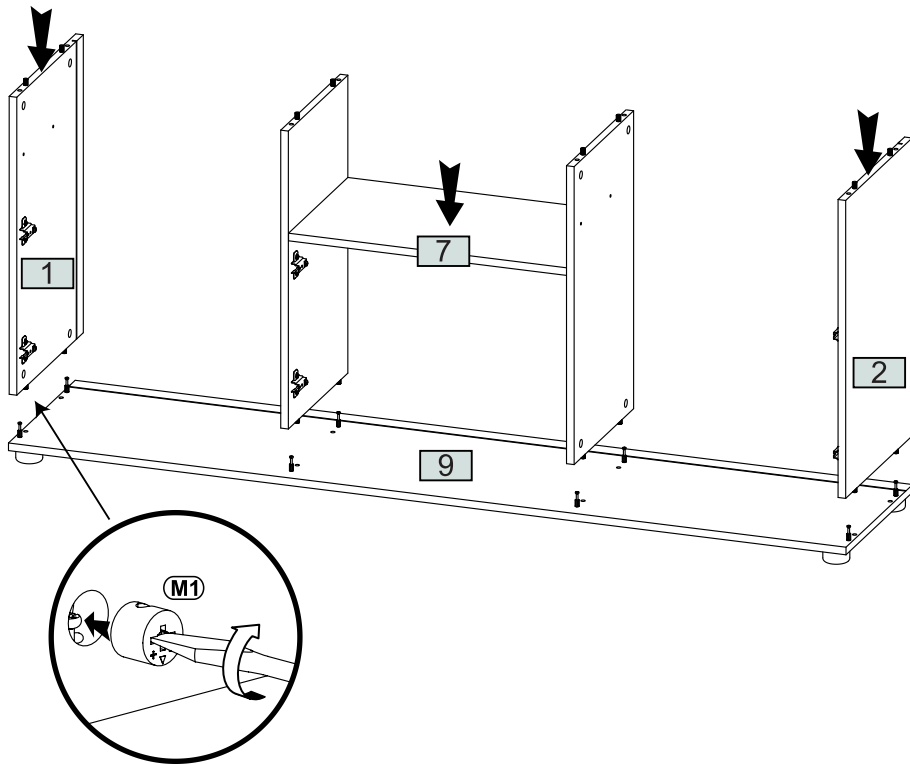
6




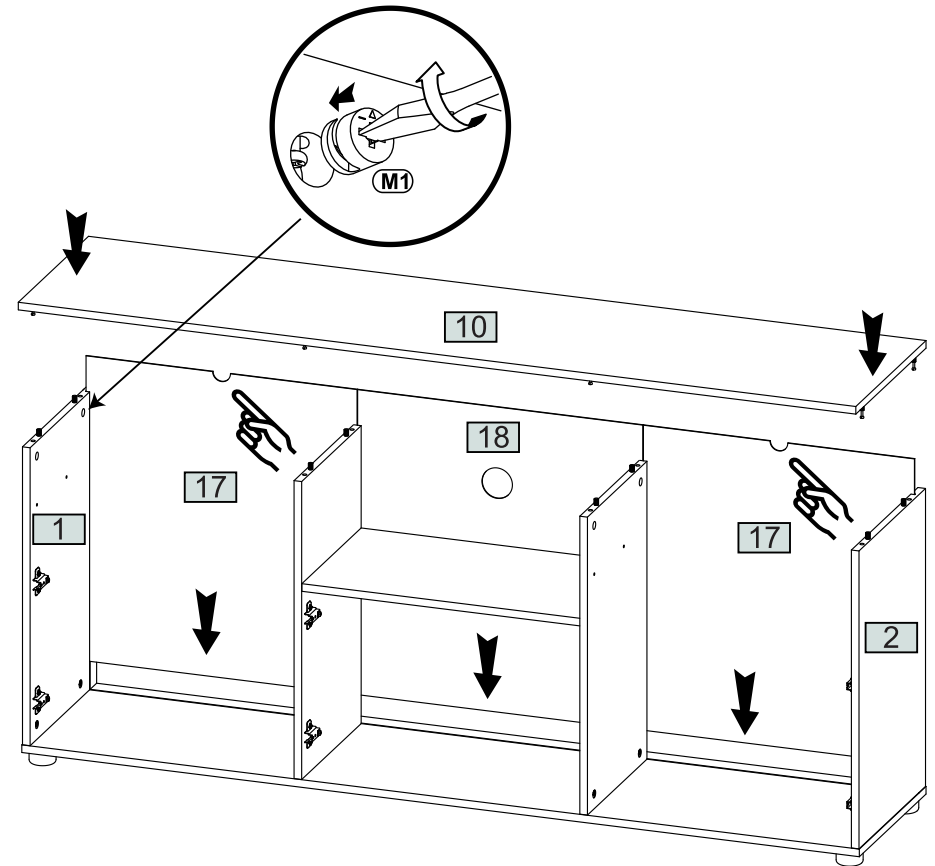
5



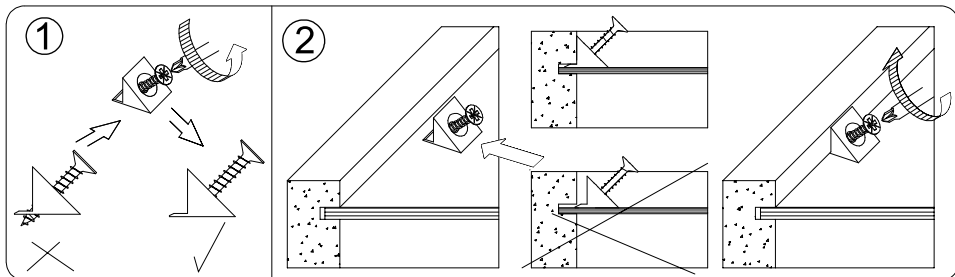
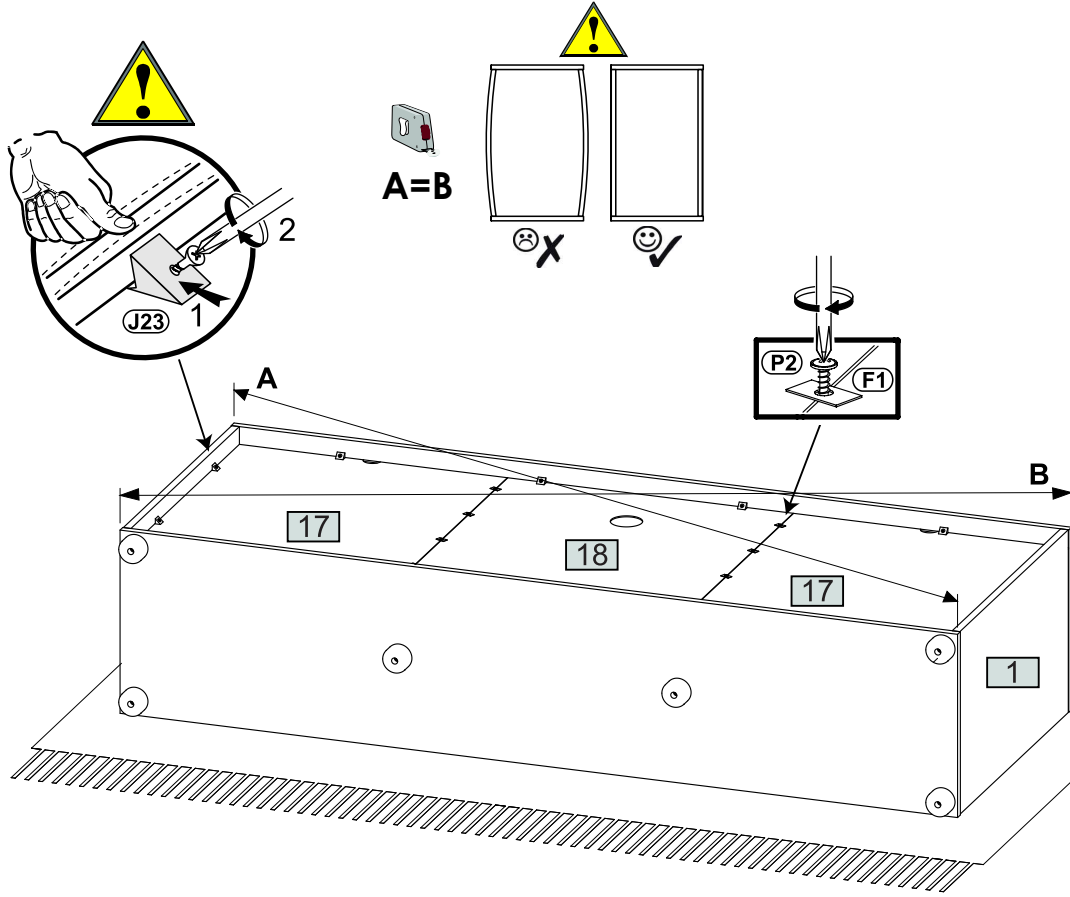
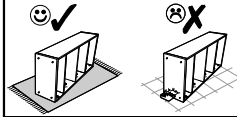
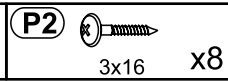
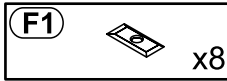
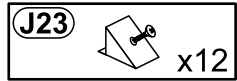
7  x8



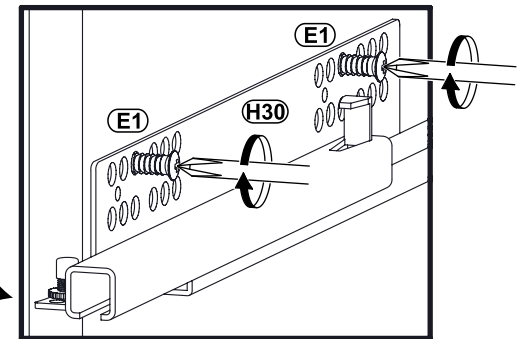
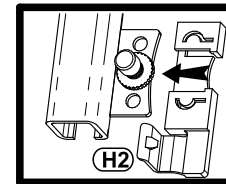
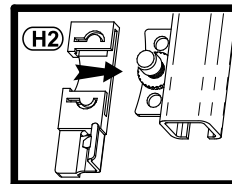
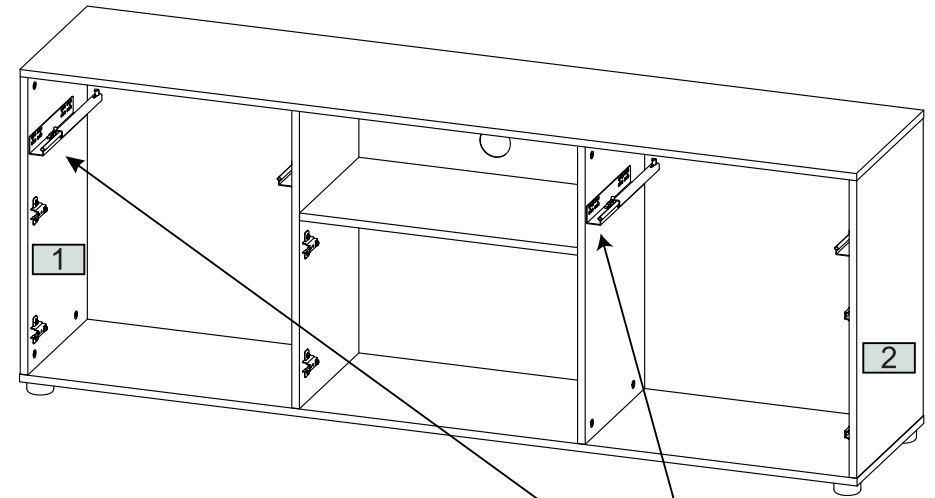
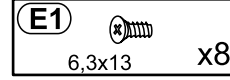
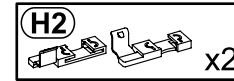
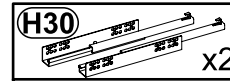
8  x8



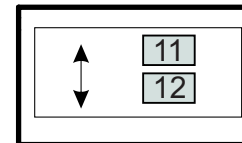
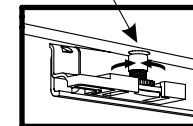
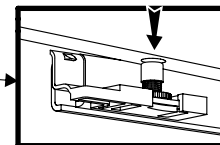
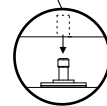
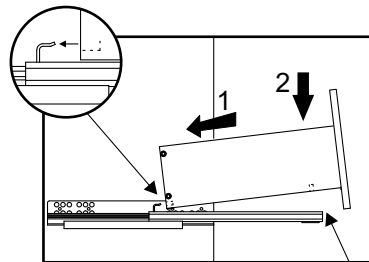
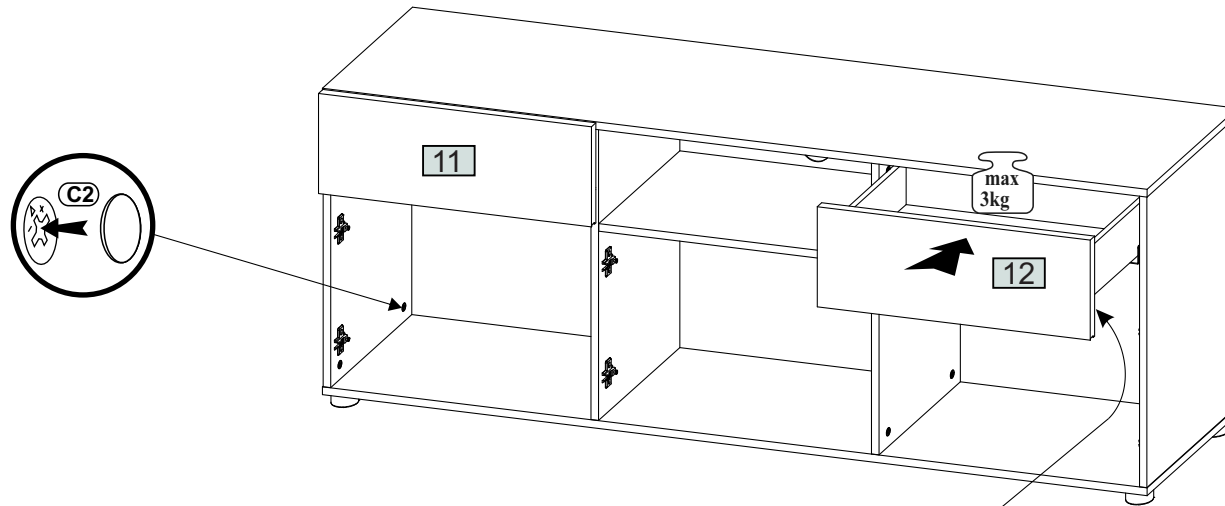
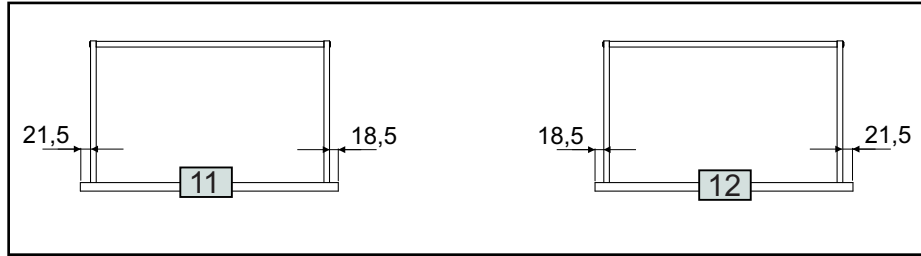
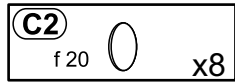
9



10



11



12

- J11 x2
- P13 3,5x13 x4
- C8 f 60 x1

