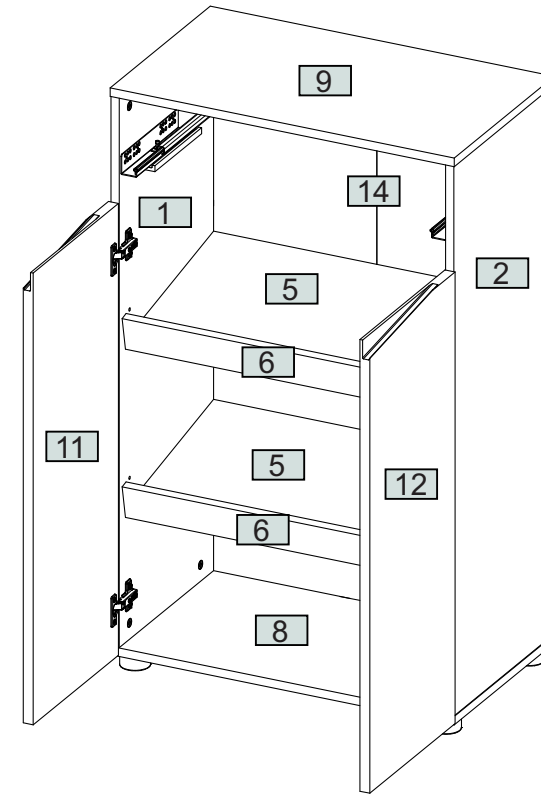
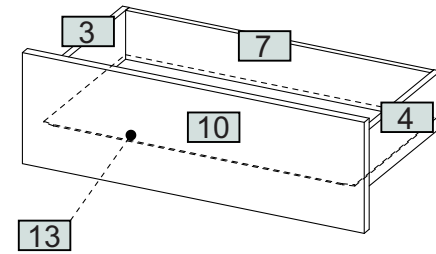
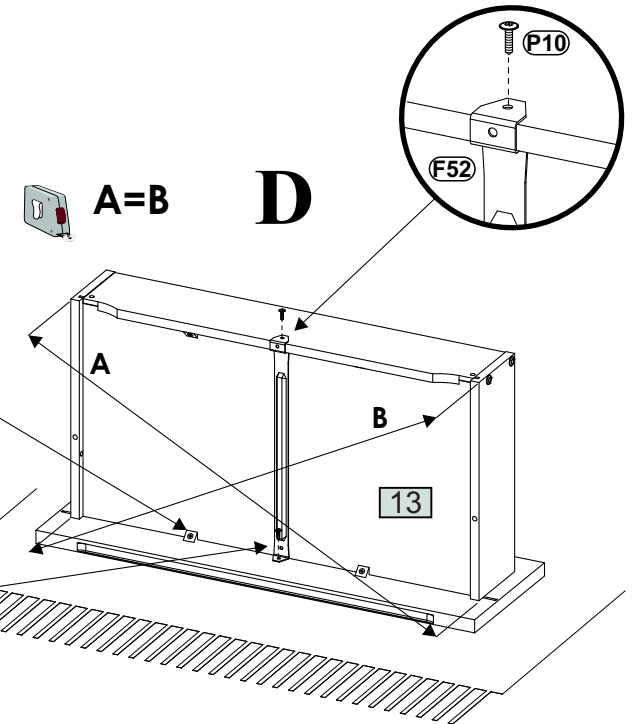
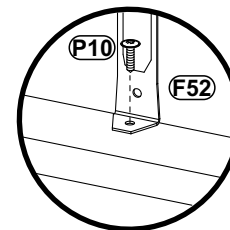
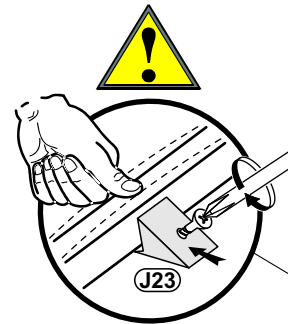
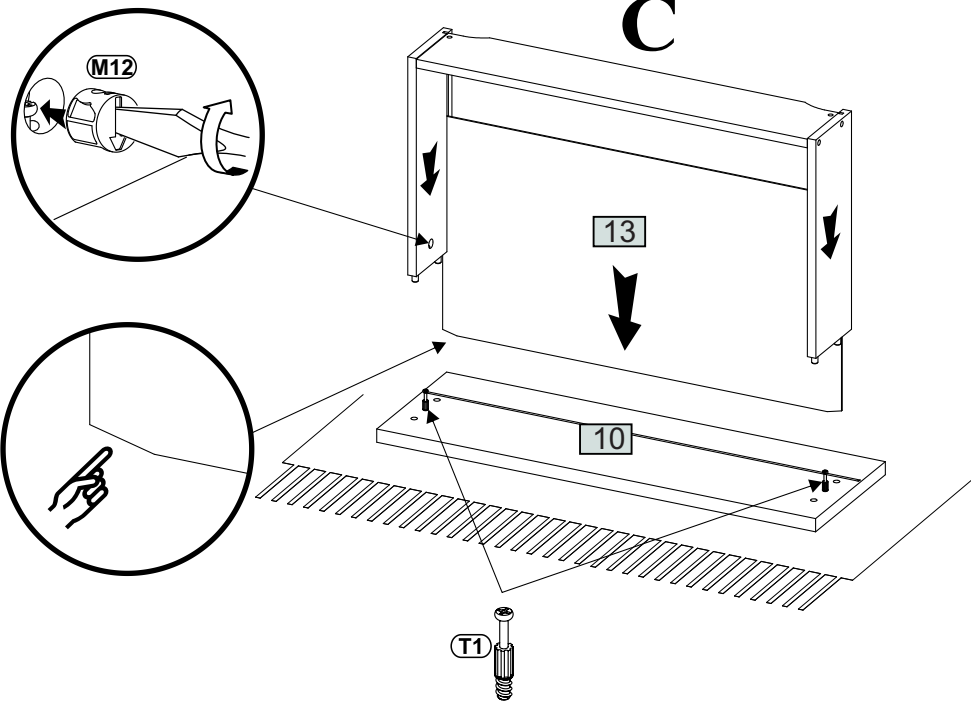
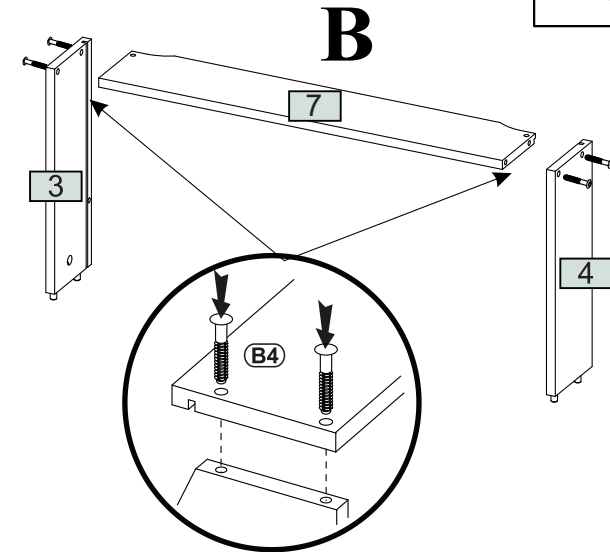
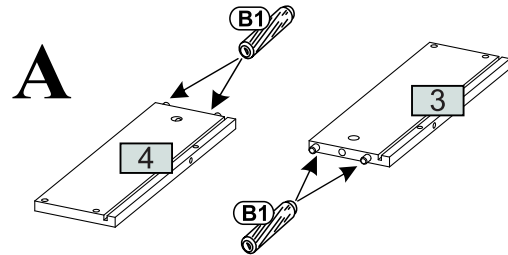
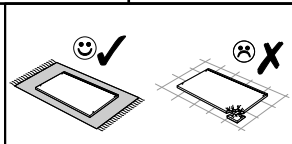
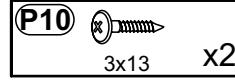
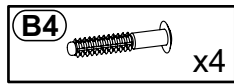
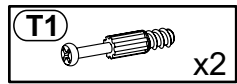
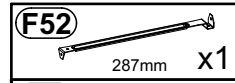
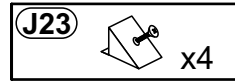
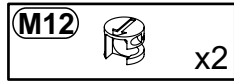
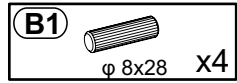


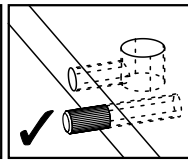
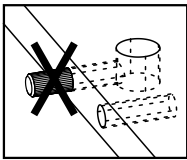
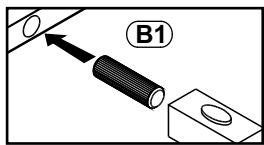
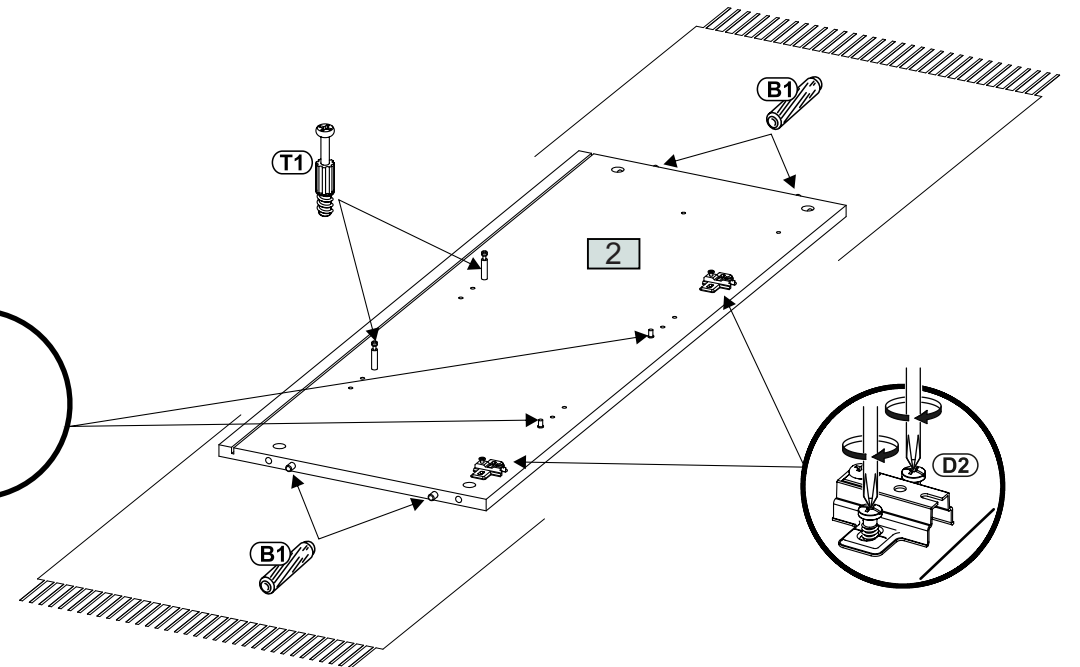
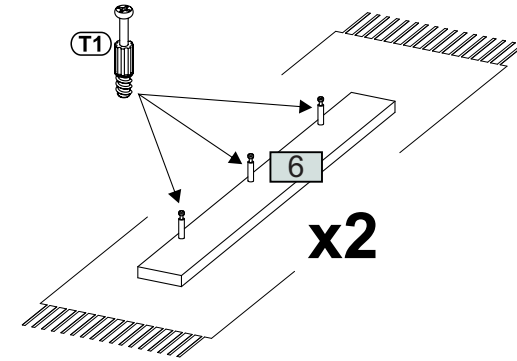
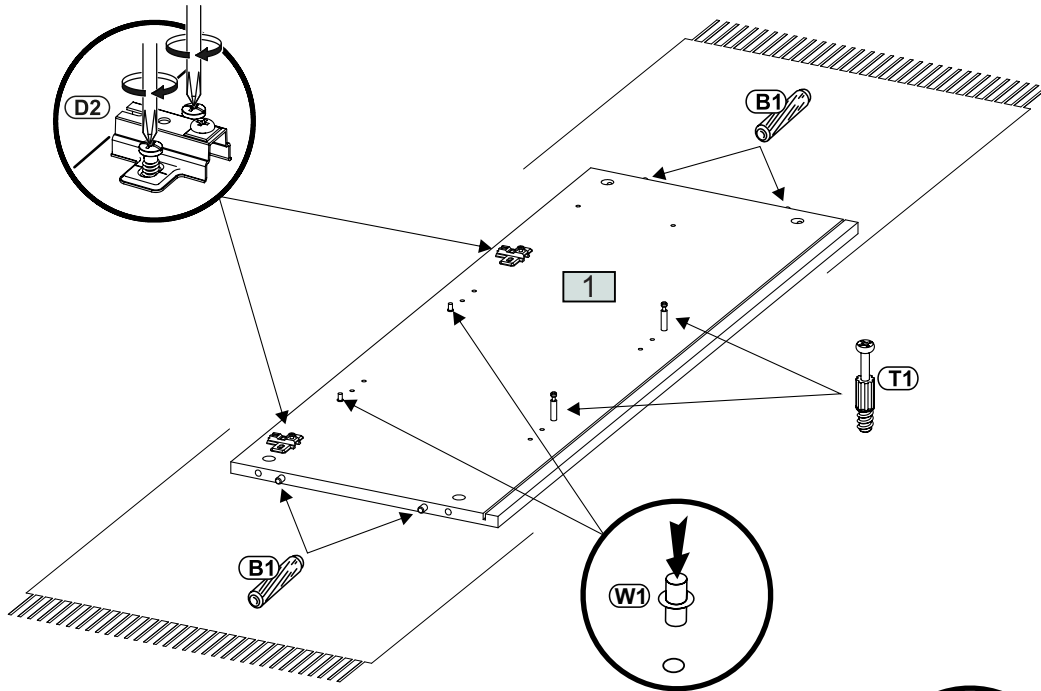
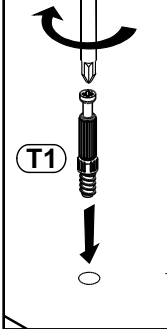
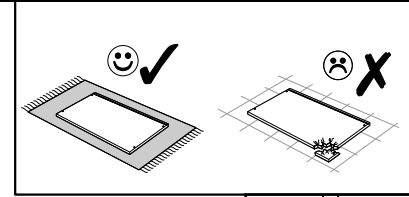
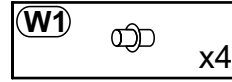
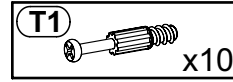
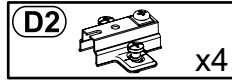
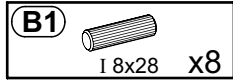
| Nr | Ausmaß | | | St | Colli |
|----|--------|-----|----|----|-------|
| 1 | 970 | 360 | 15 | 1 | 1 |
| 2 | 970 | 360 | 15 | 1 | 1 |
| 3 | 300 | 100 | 12 | 1 | 1 |
| 4 | 300 | 100 | 12 | 1 | 1 |
| 5 | 588 | 313 | 15 | 2 | 1 |
| 6 | 588 | 60 | 15 | 2 | 1 |
| 7 | 549 | 100 | 12 | 1 | 1 |
| 8 | 620 | 361 | 15 | 1 | 1 |
| 9 | 620 | 361 | 15 | 1 | 1 |
| 10 | 616 | 196 | 18 | 1 | 1 |
| 11 | 797 | 307 | 18 | 1 | 1 |
| 12 | 797 | 307 | 18 | 1 | 1 |
| 13 | 299 | 560 | 2 | 1 | 1 |
| 14 | 984 | 602 | 2 | 1 | 1 |



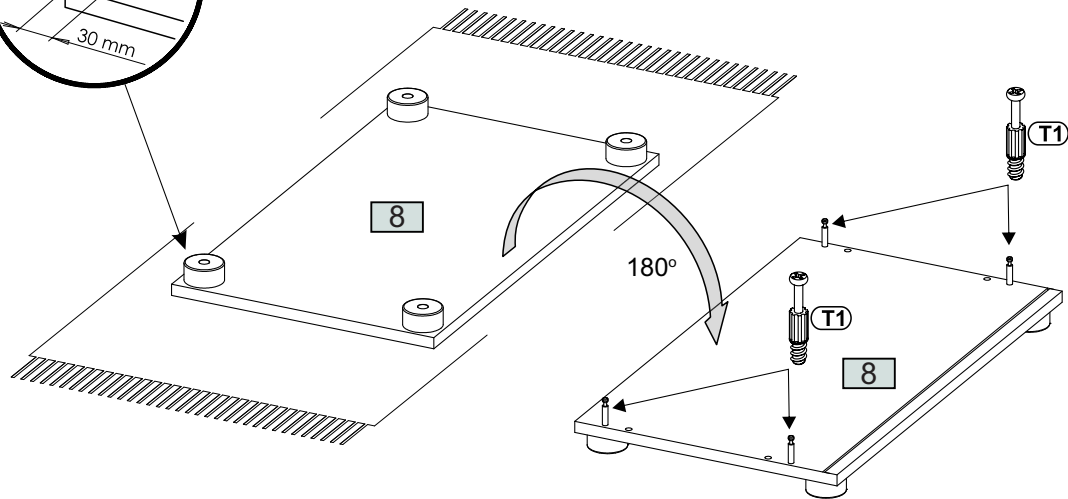
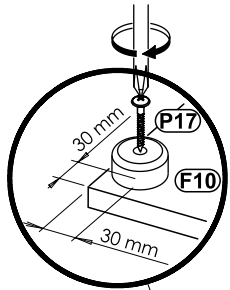
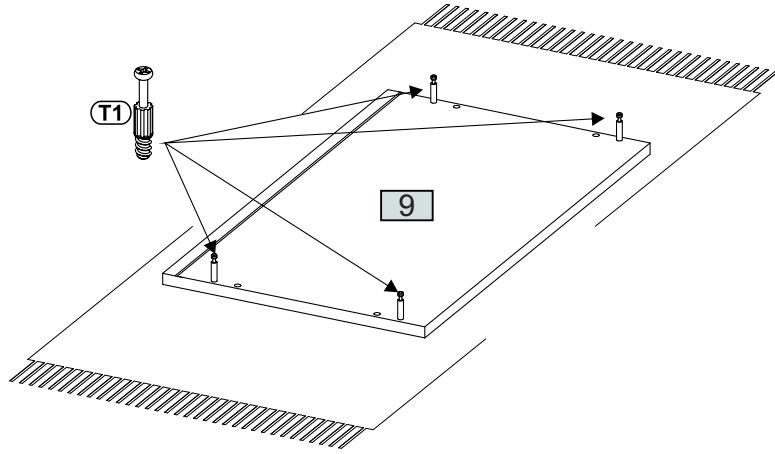
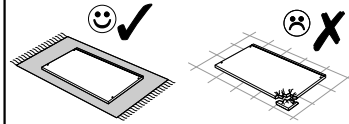
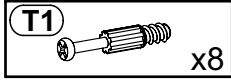
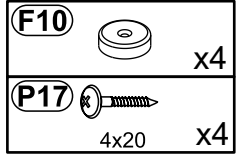
1



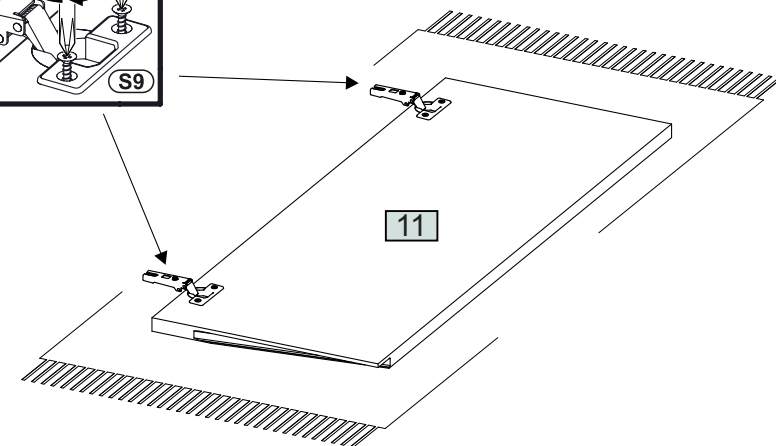
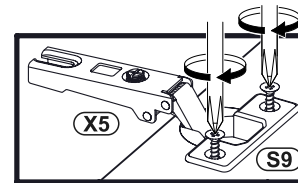
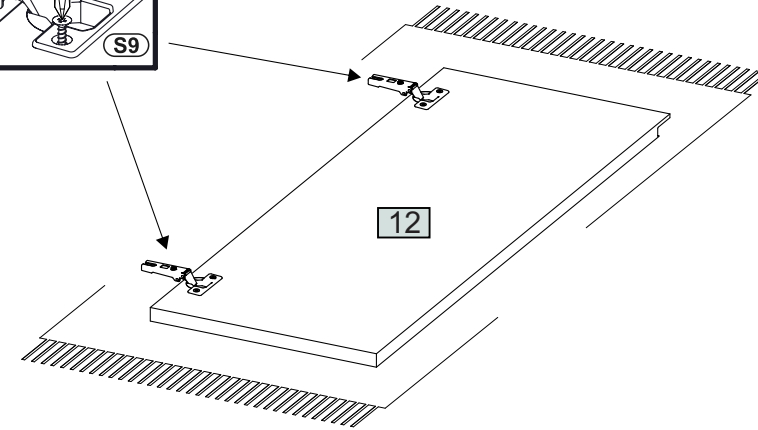
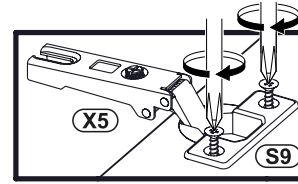
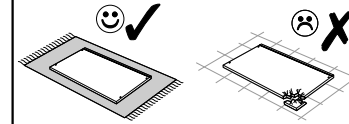
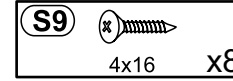
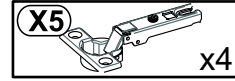
2



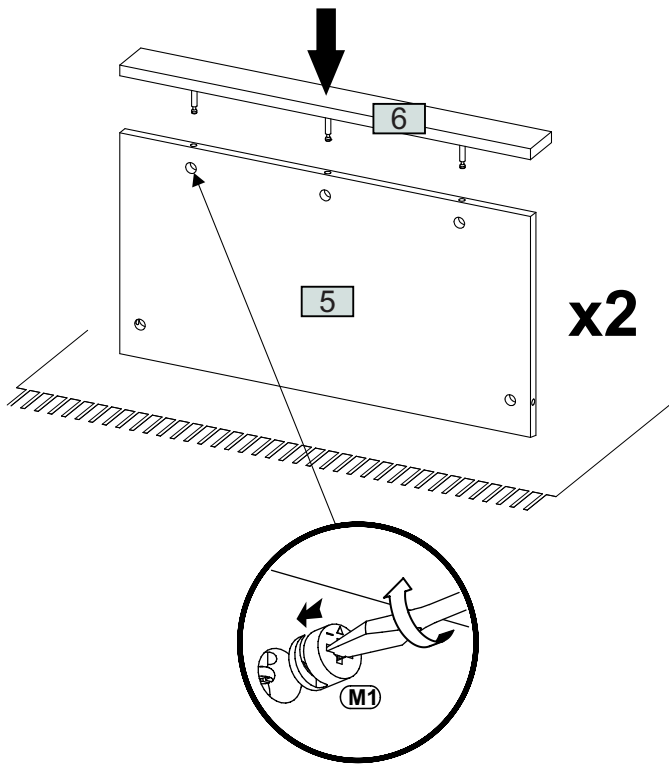
3



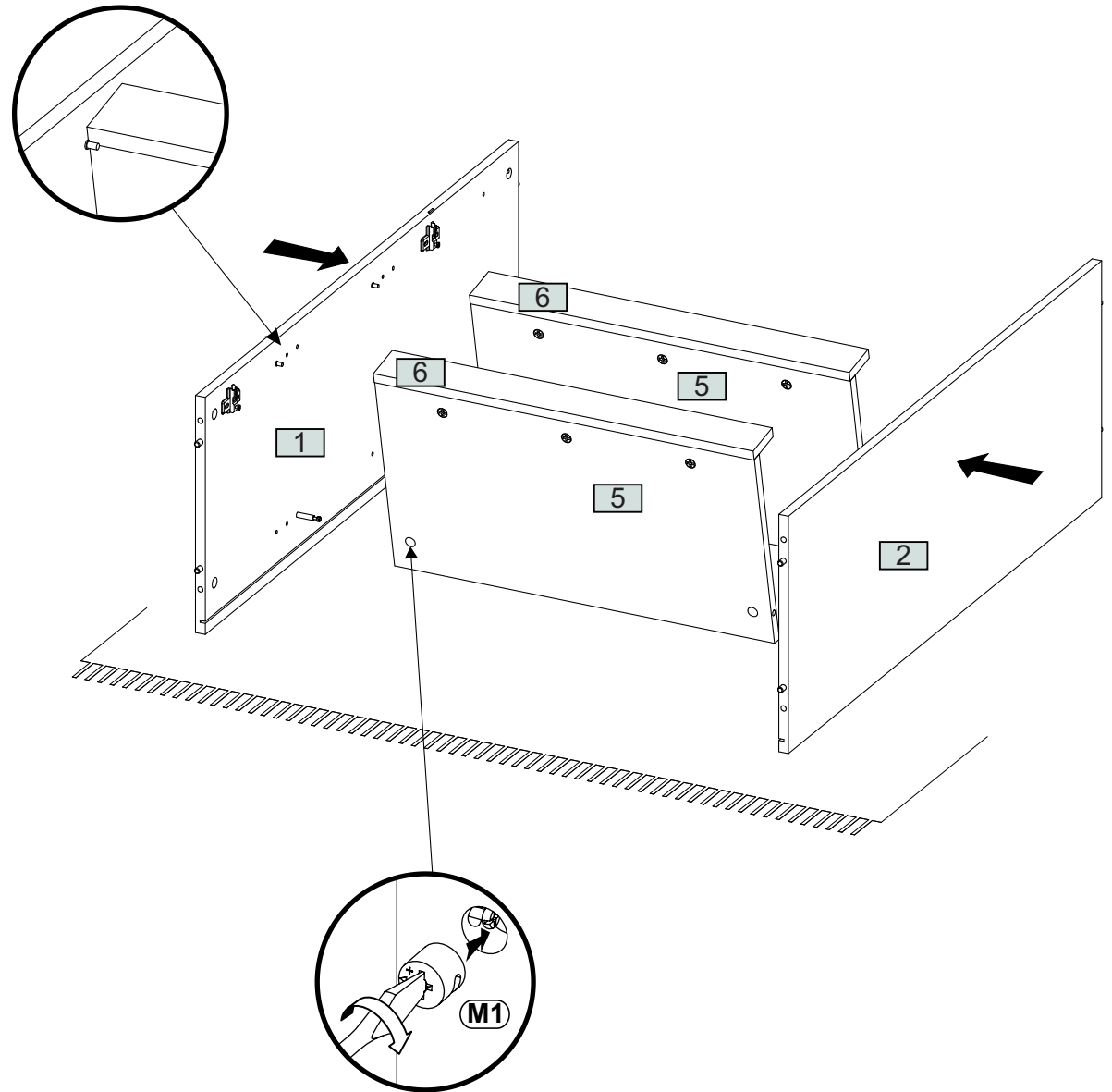
4



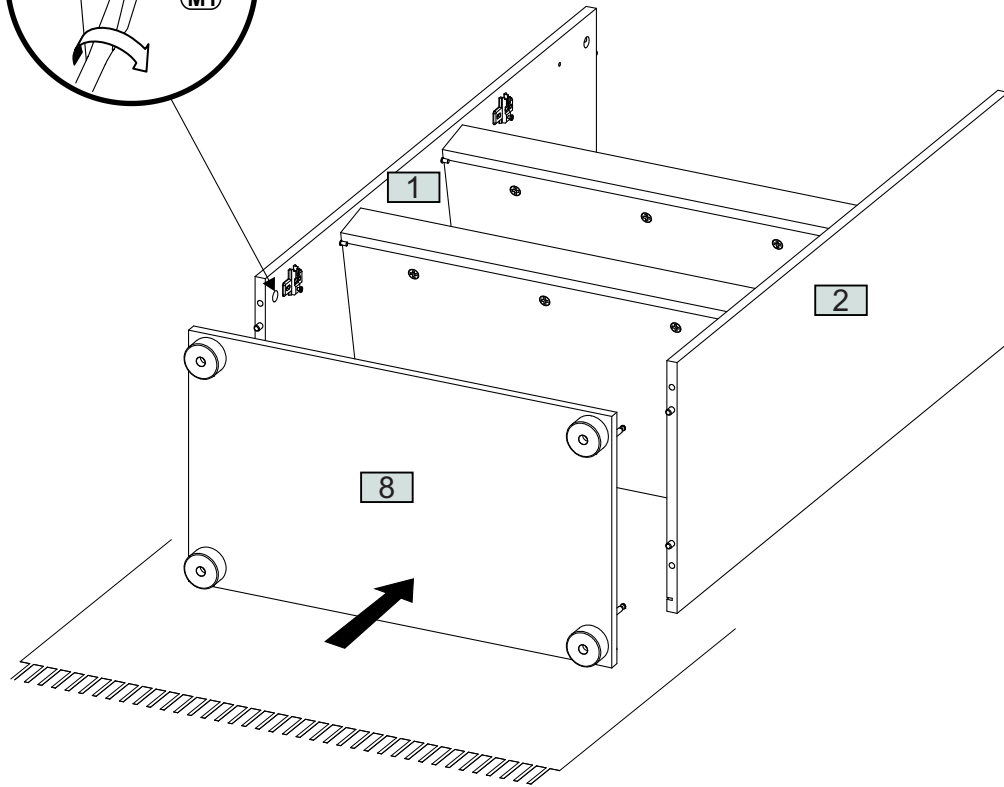
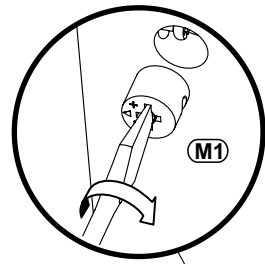
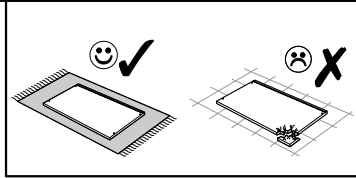
5



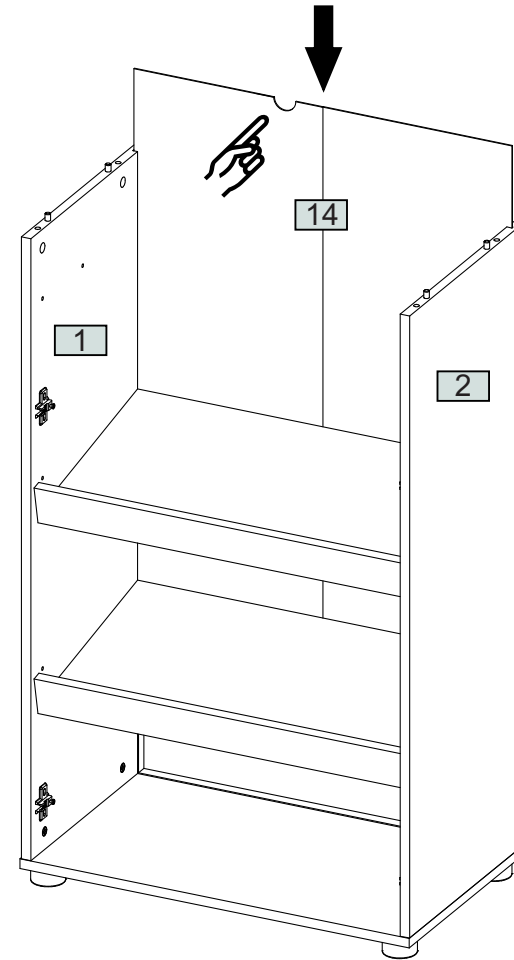
6



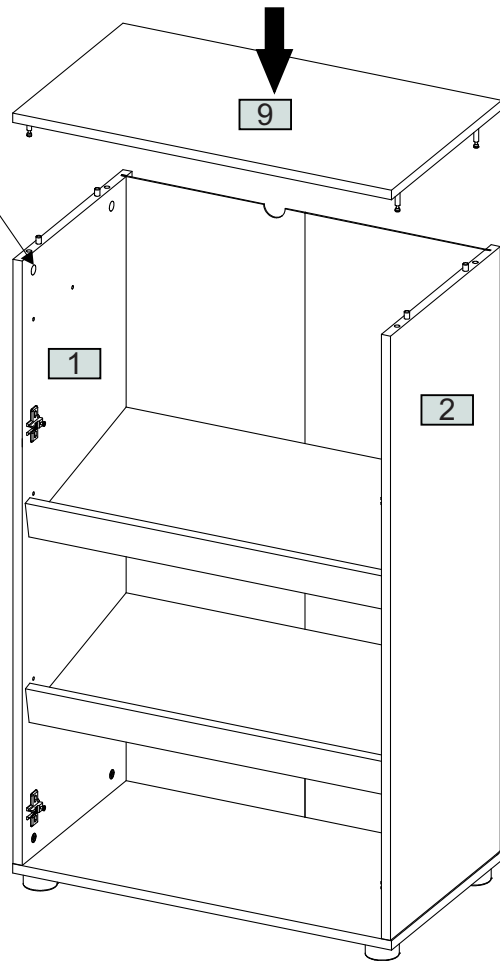
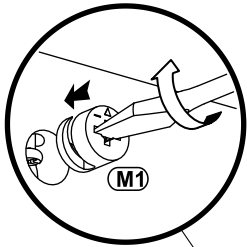
7



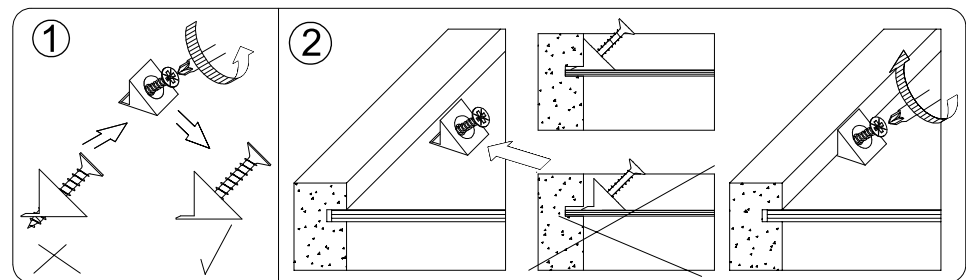
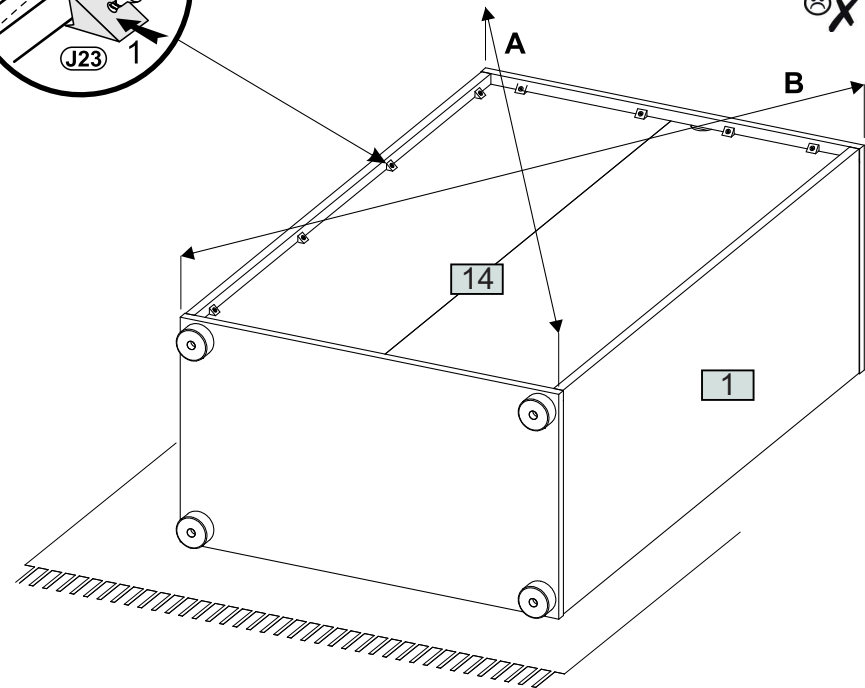
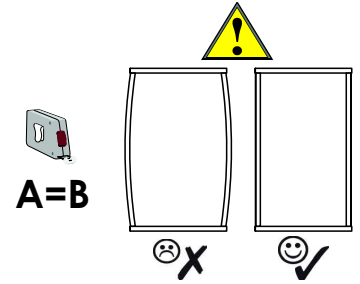
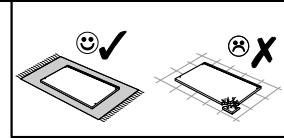
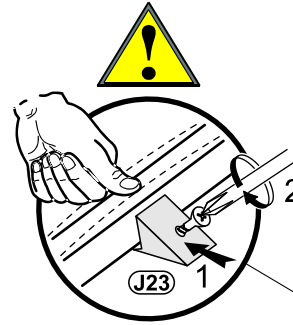
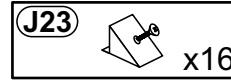
8



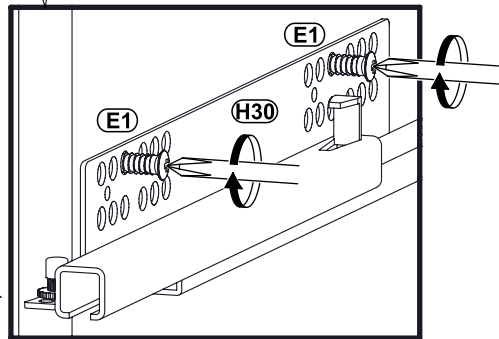
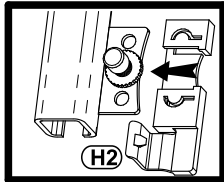
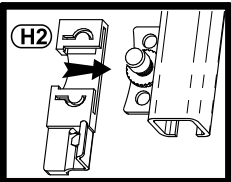
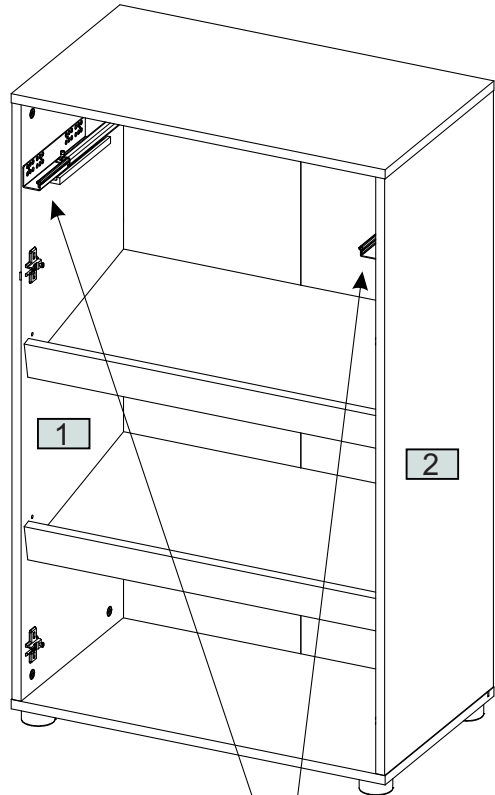
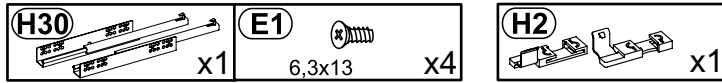
9



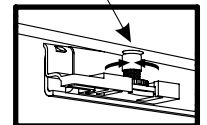
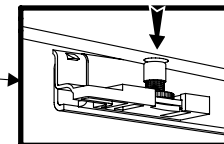
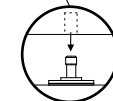
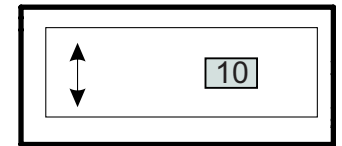
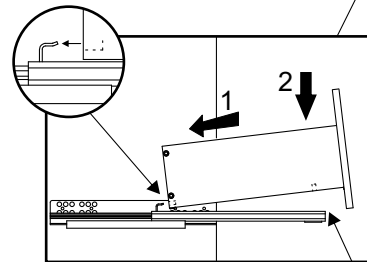
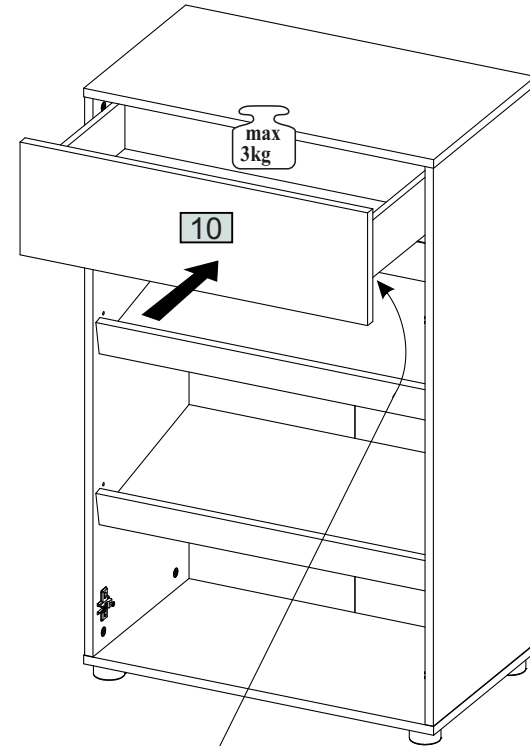
10



11



12



13

