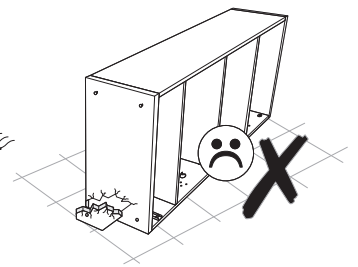
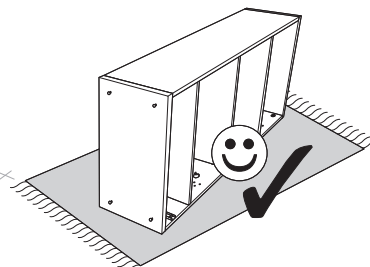
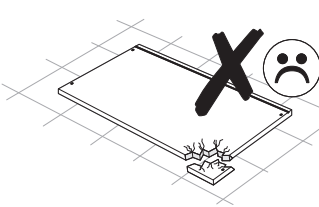
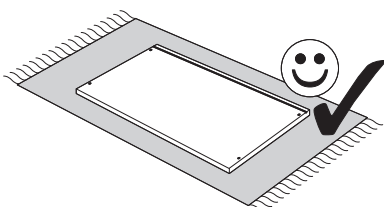
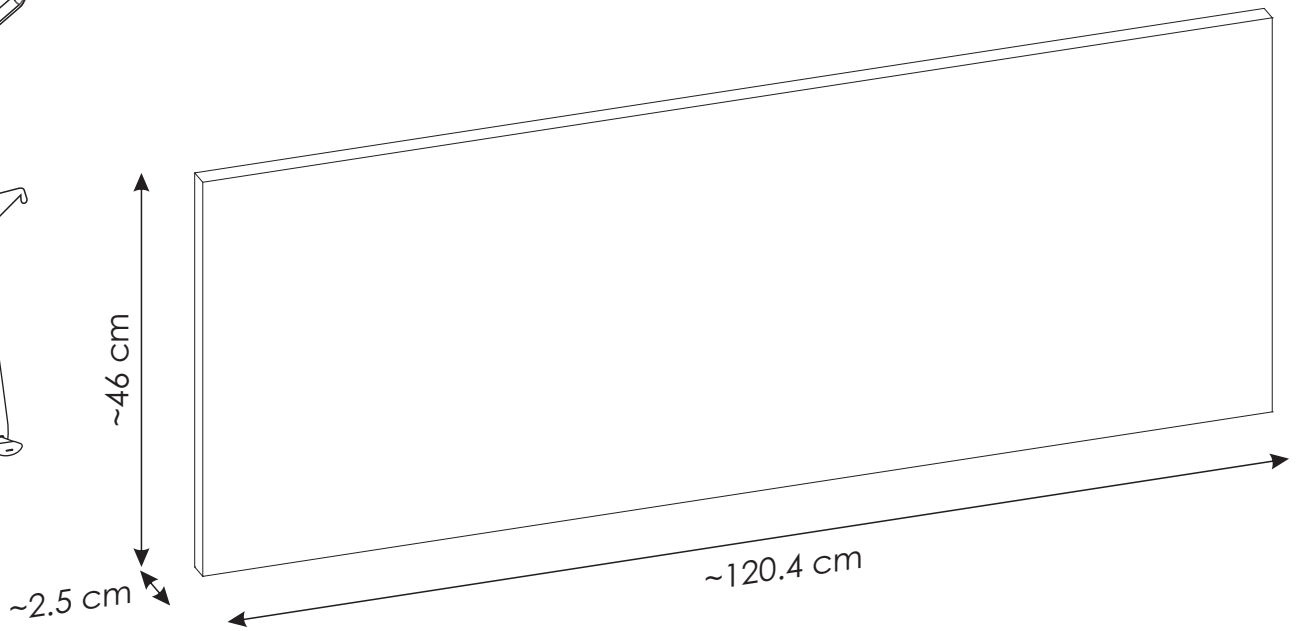
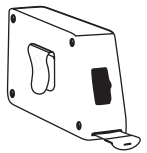
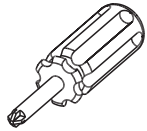
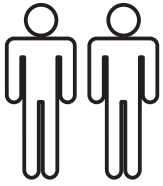
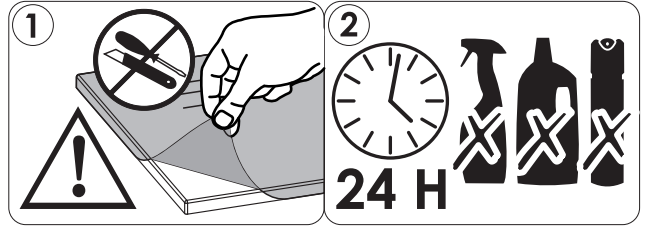
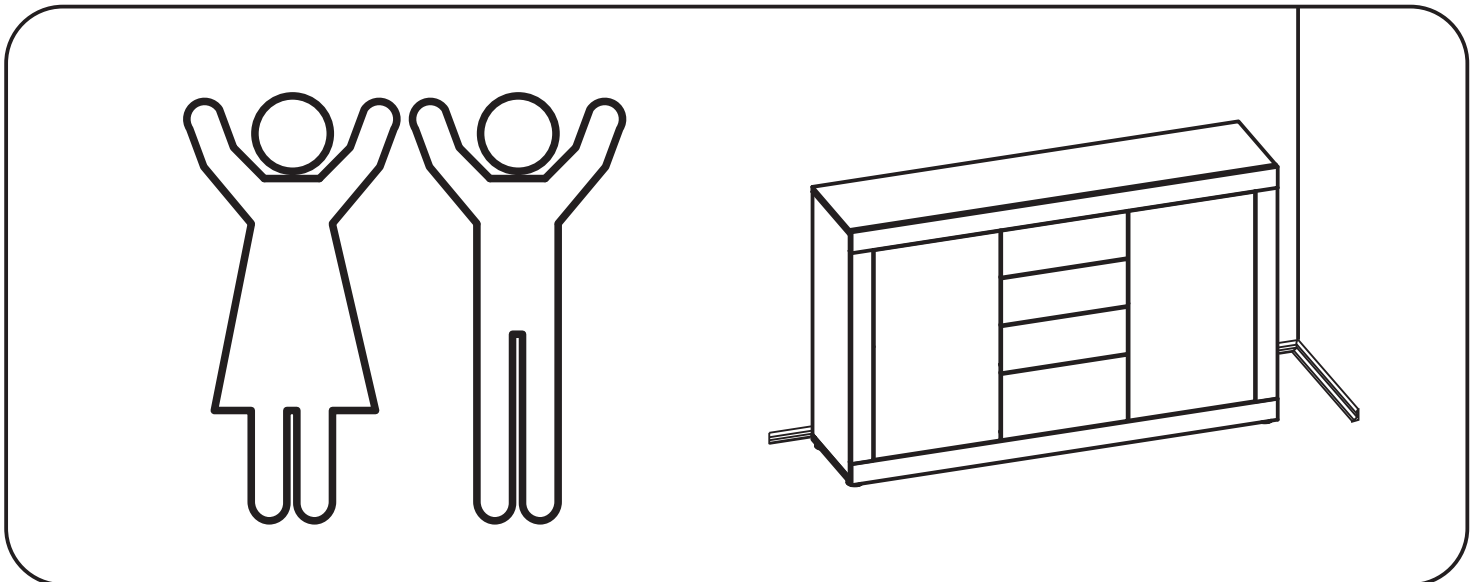
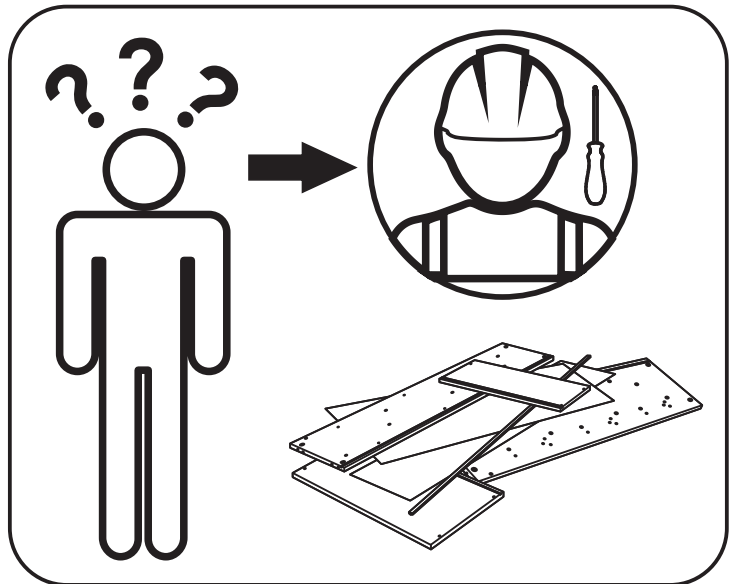
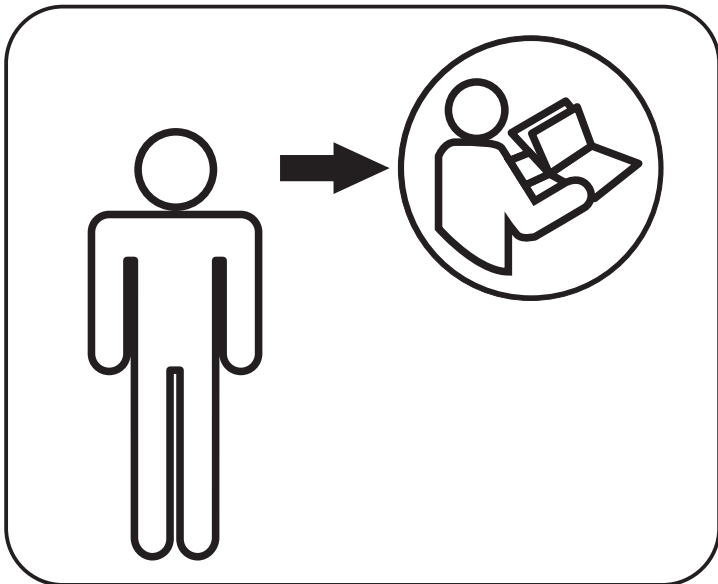
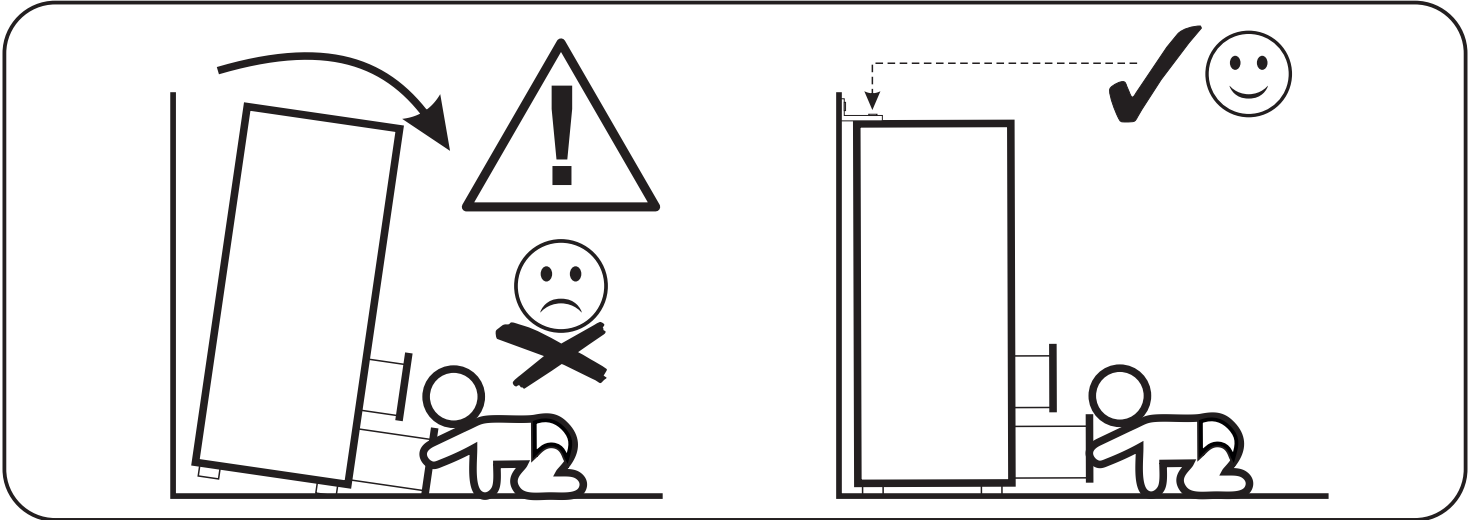
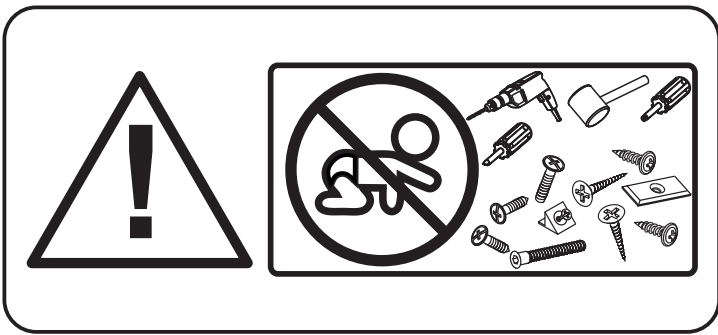
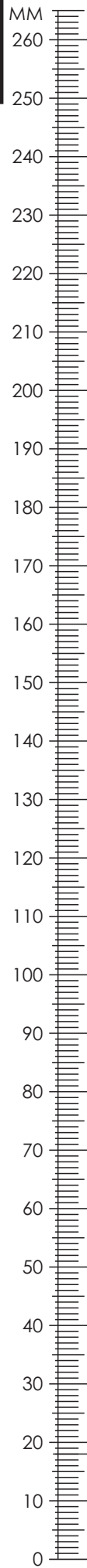



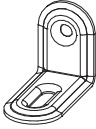
SANTA FE 89-120-A,B

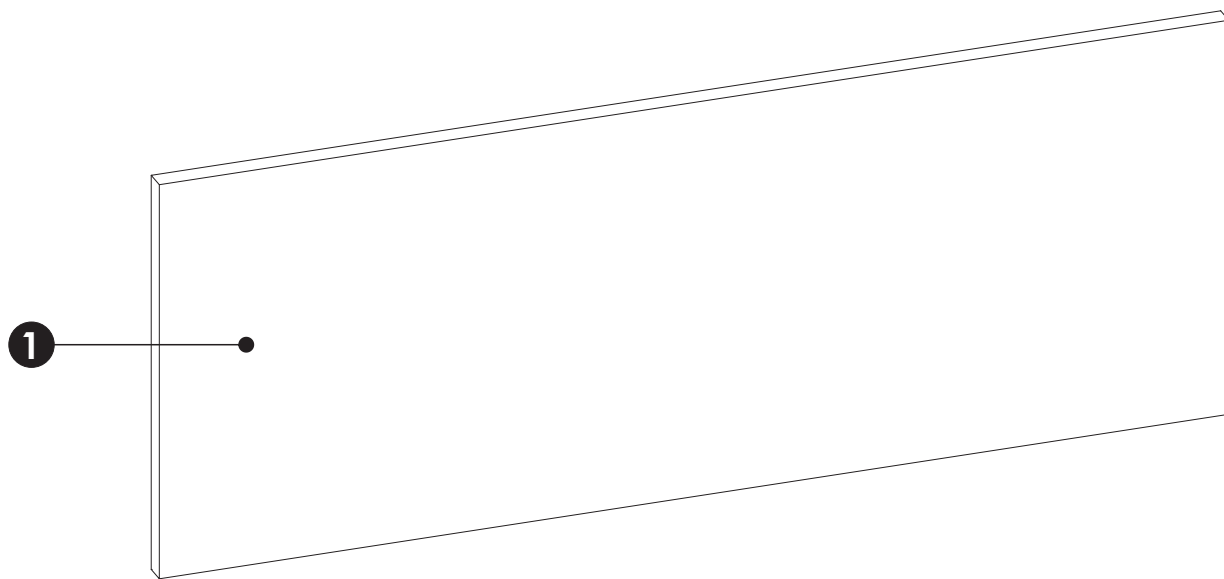




SANTA FE 89-120-A,B



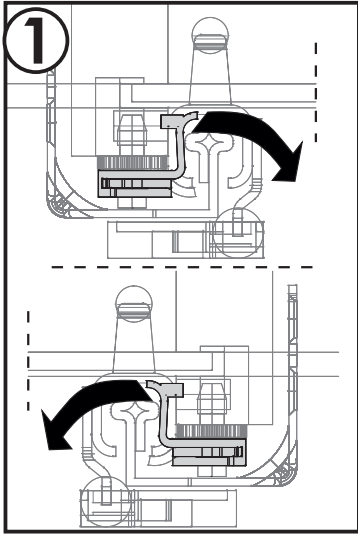
N5	3,5 x 16 mm	x24	Q8	x12
				



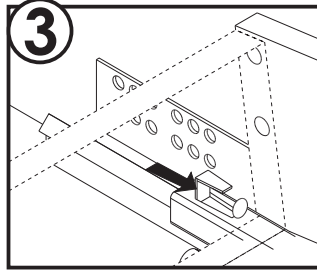
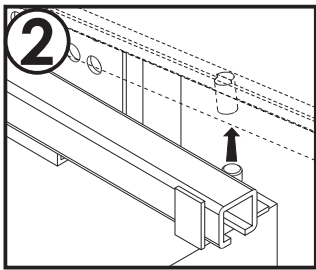
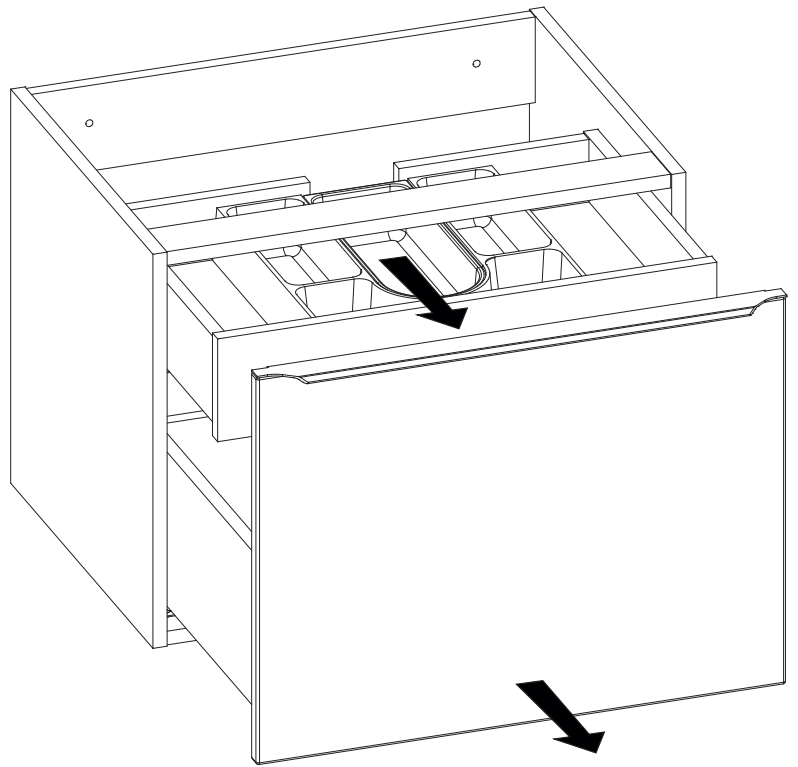
1	1204	460	25	x1	1/1
----------	------	-----	----	----	-----



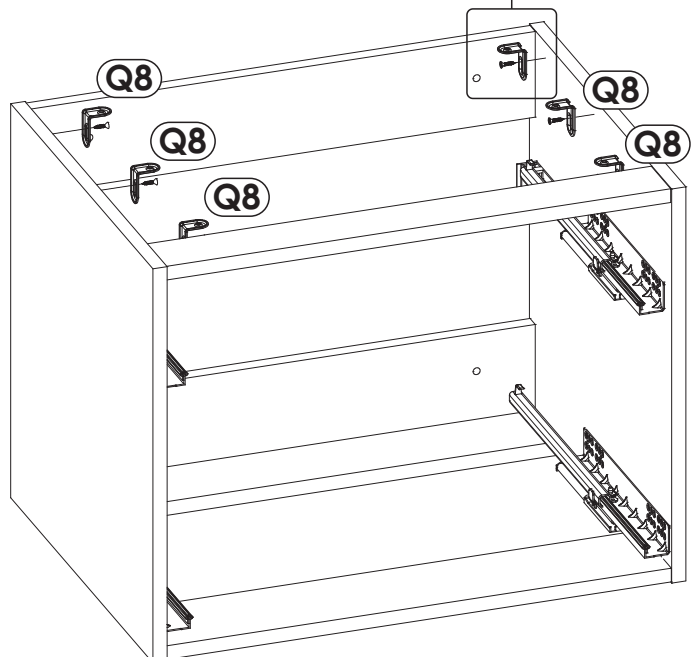
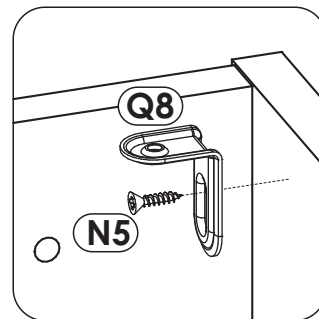
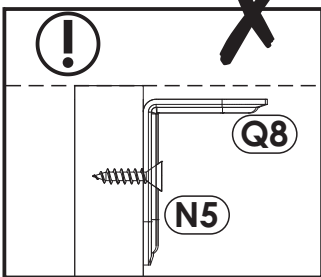
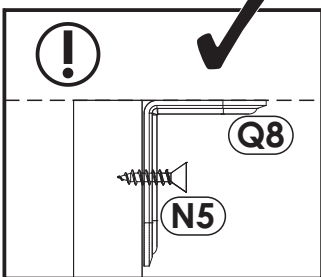
1 ▶



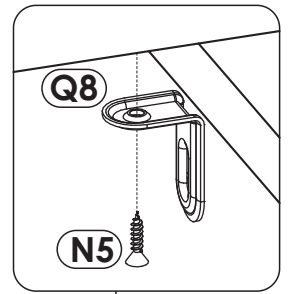
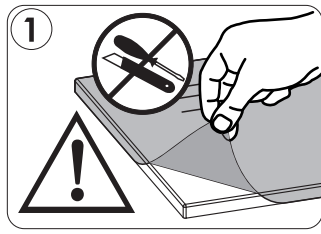
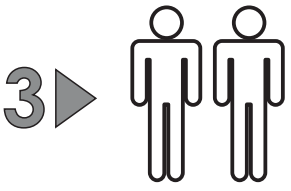
x2



2 ▶



x2



x12

