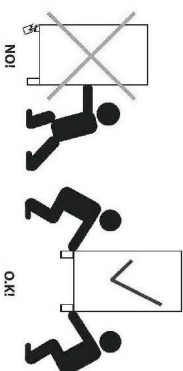
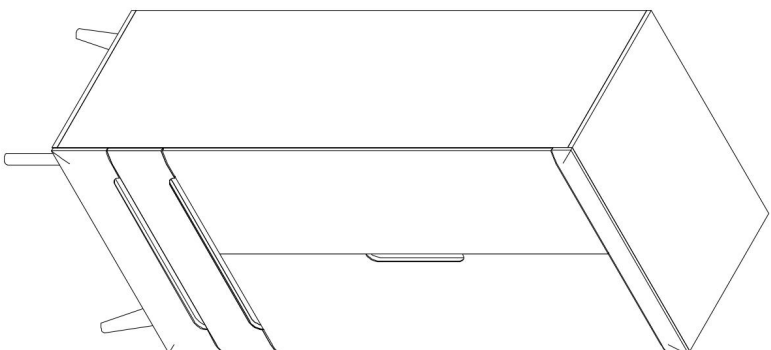
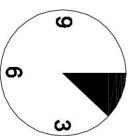
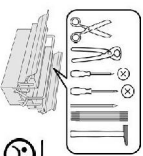


# DORIN NSZ80



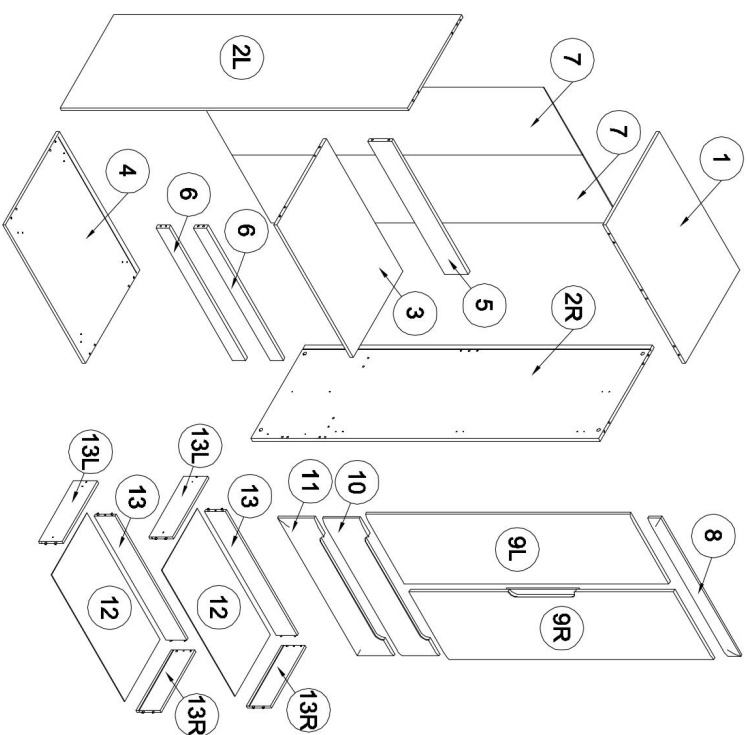
18.4.2017

- D** Montageanleitung
- FR** Notice de montage
- NL** Handleiding voor de montage
- CZ** Montážní návod
- HU** Szerelési útmutató
- TR** Montaj talimatı
- GB** Assembly Instructions
- IT** Istruzioni di montaggio
- PL** Instrukcja montażu
- SK** Návod na montáž
- RO** Instrucțiuni de montaj
- RU** Инструкция по монтажу

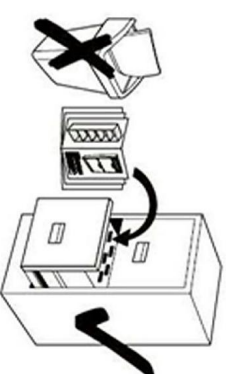
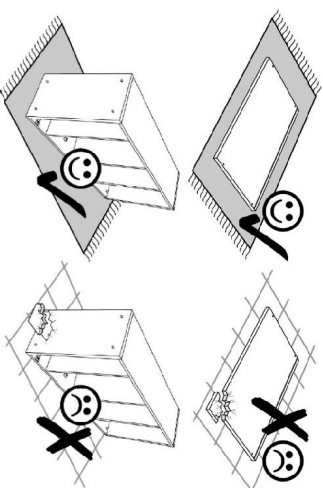


20 min.

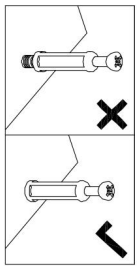
1



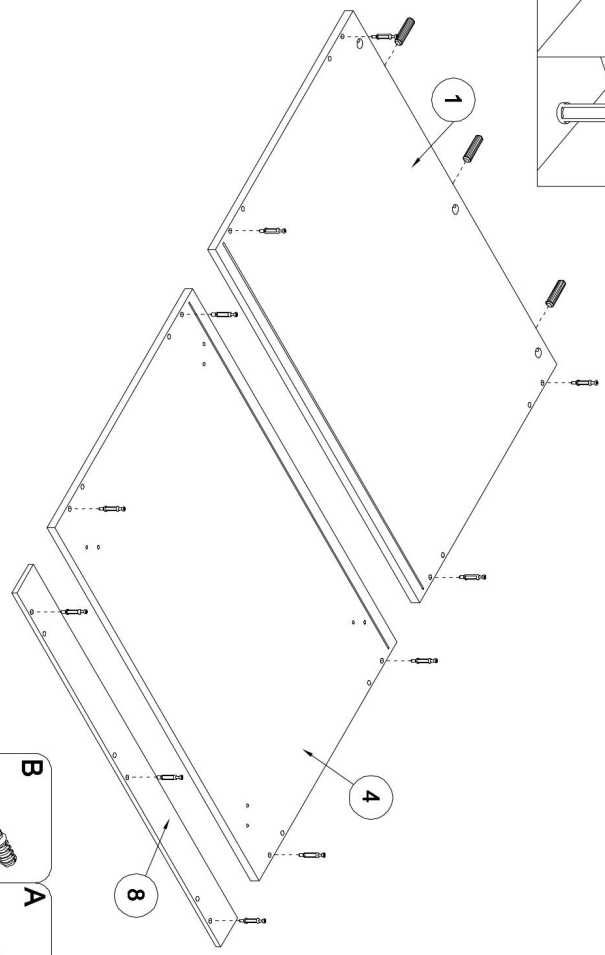
|                            |                         |                 |                           |                 |                 |                  |                   |                         |                             |                            |                             |
|----------------------------|-------------------------|-----------------|---------------------------|-----------------|-----------------|------------------|-------------------|-------------------------|-----------------------------|----------------------------|-----------------------------|
| <b>S</b><br>L-1738mm<br>X1 | <b>NA</b><br>4x13<br>X1 | <b>TA</b><br>X1 | <b>TB</b><br>X1           | <b>PC</b><br>X6 | <b>HD</b><br>X8 | <b>NGD</b><br>X4 | <b>X</b><br>X10   | <b>NF</b><br>4x30<br>X2 | <b>N</b><br>3x20<br>X6      | <b>ND</b><br>3.5x16<br>X30 | <b>V</b><br>3x13<br>X12     |
| <b>B</b><br>X17            | <b>A</b><br>8x32<br>X27 | <b>T</b><br>X2  | <b>H</b><br>6.3x13<br>X12 | <b>R</b><br>X6  | <b>C</b><br>X30 | <b>Z</b><br>X15  | <b>GLUE</b><br>X4 | <b>PPW</b><br>X1        | <b>W6</b><br>L-760mm<br>X12 | <b>PPW</b><br>X1           | <b>W6</b><br>L-760mm<br>X12 |



2

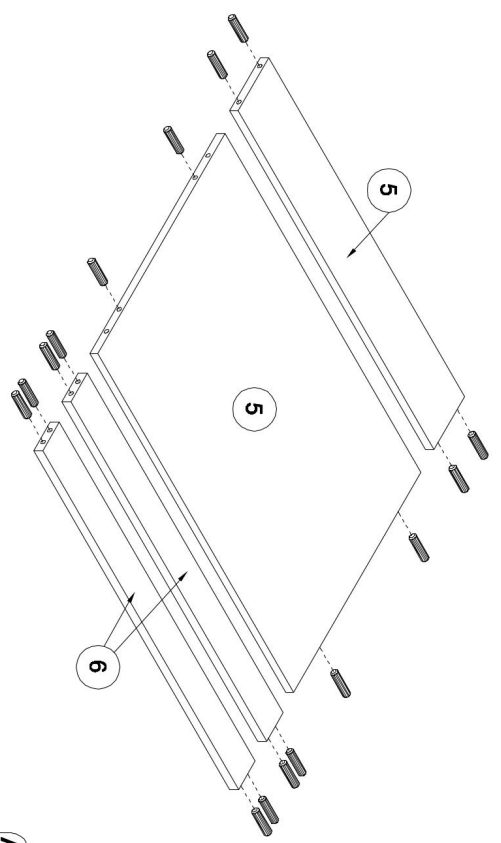


3

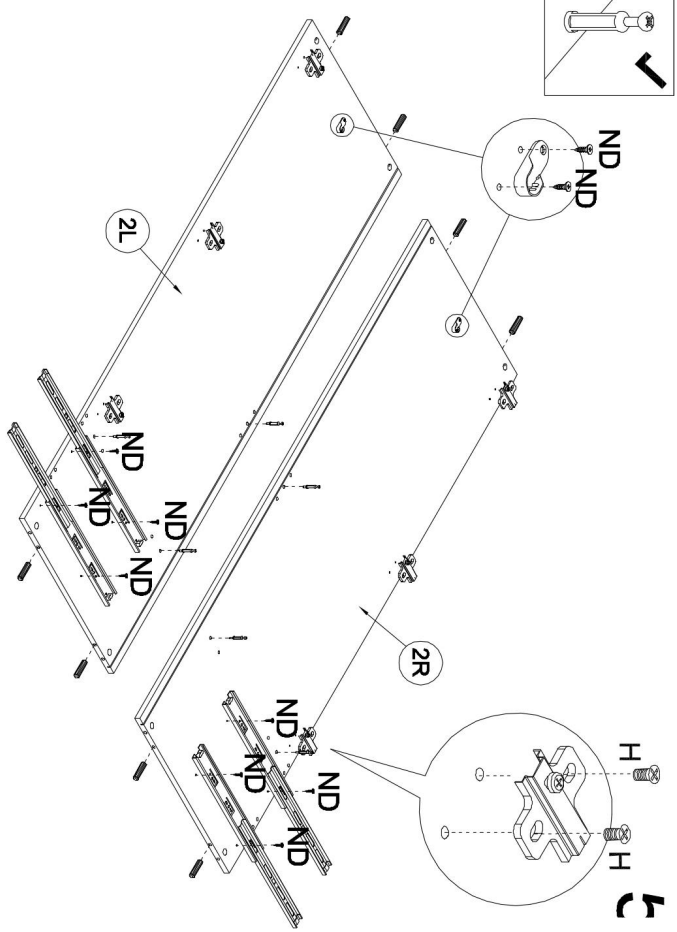
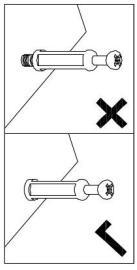


- B** 8x32 x11
- A** 8x32 x3

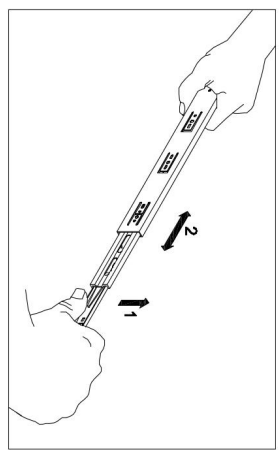
4



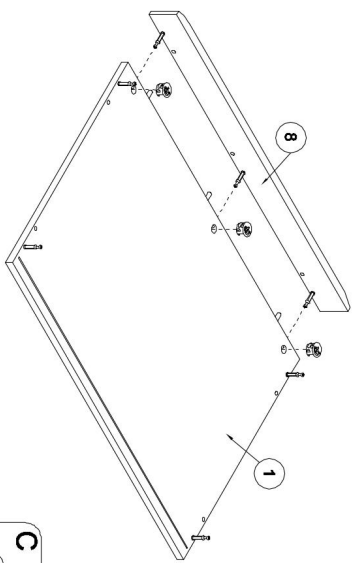
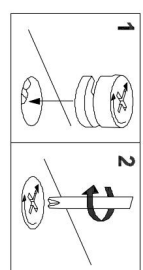
- A** 8x32 x16



- H** 6.3x13 x12
- A** 8x32 x8
- R** x6
- B** 8x32 x6
- T** x2
- ND** 3.5x16 x12
- PPW** x4



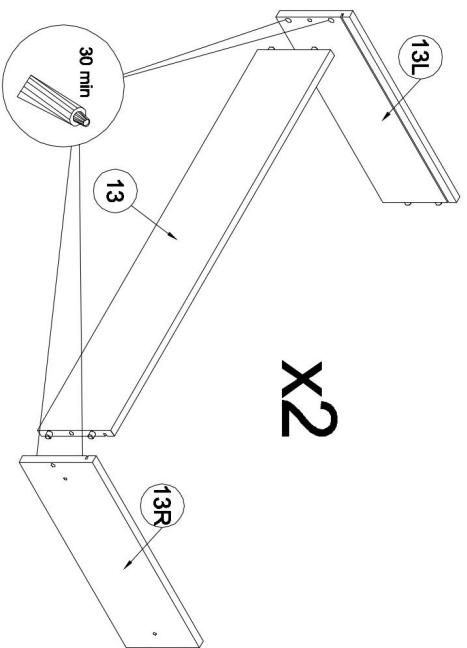
€



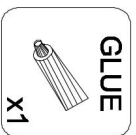
- C** x3
- Z** x3



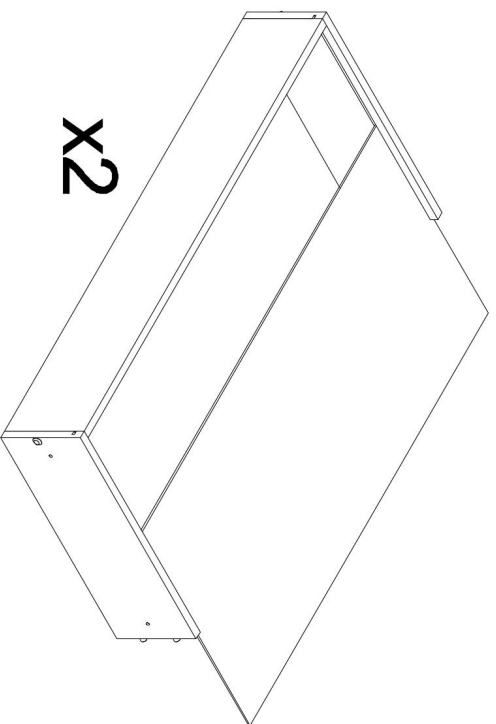
11



X2

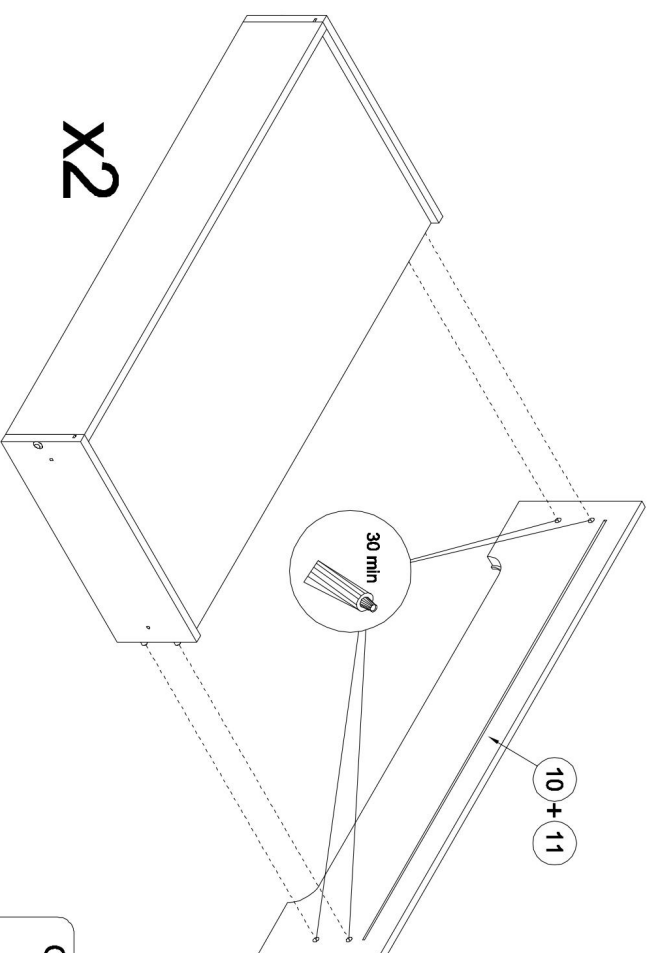


12



X2

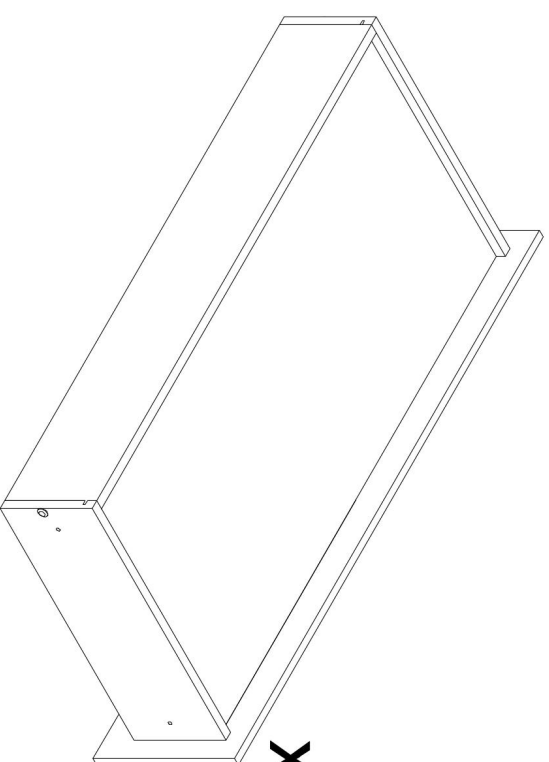
13



X2

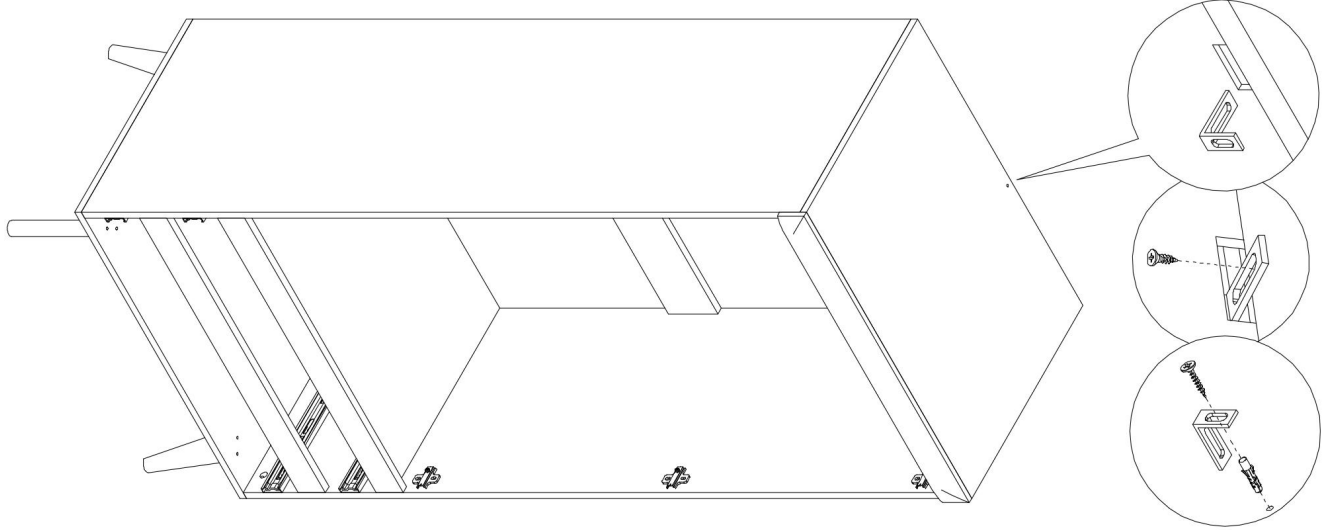
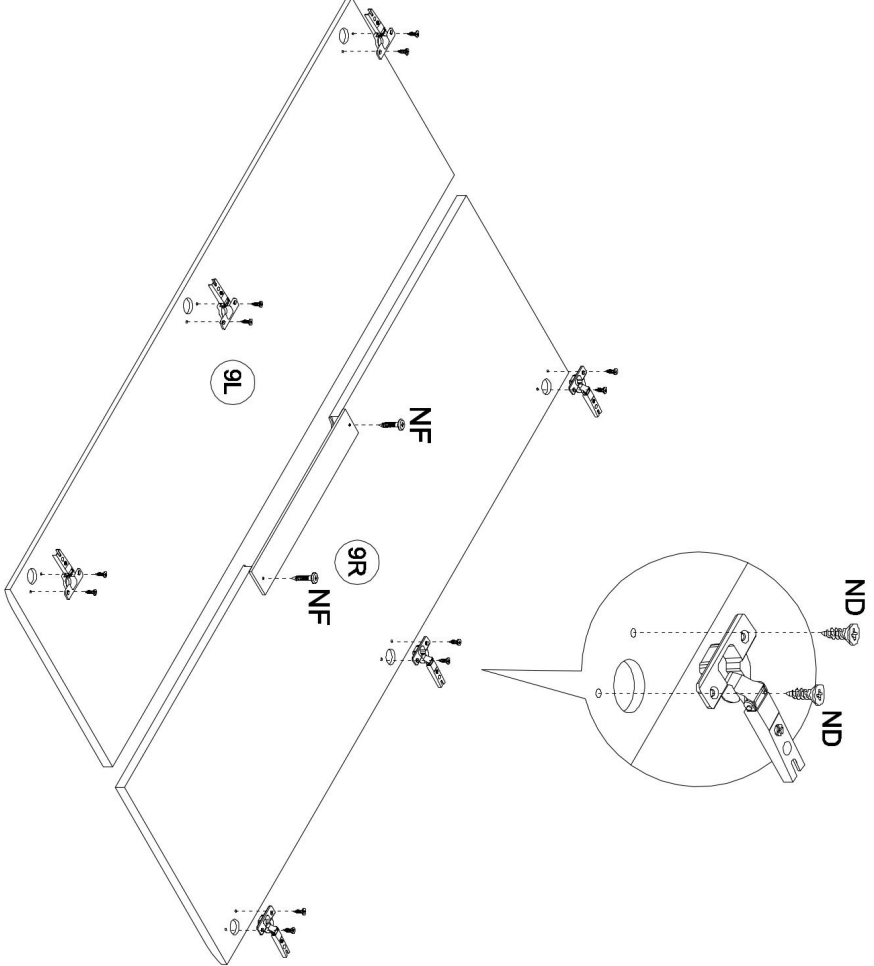


14

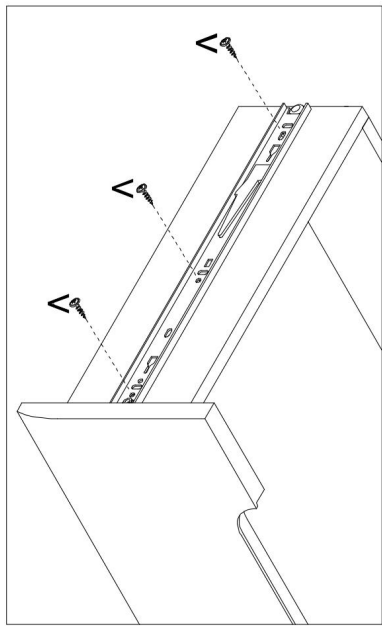


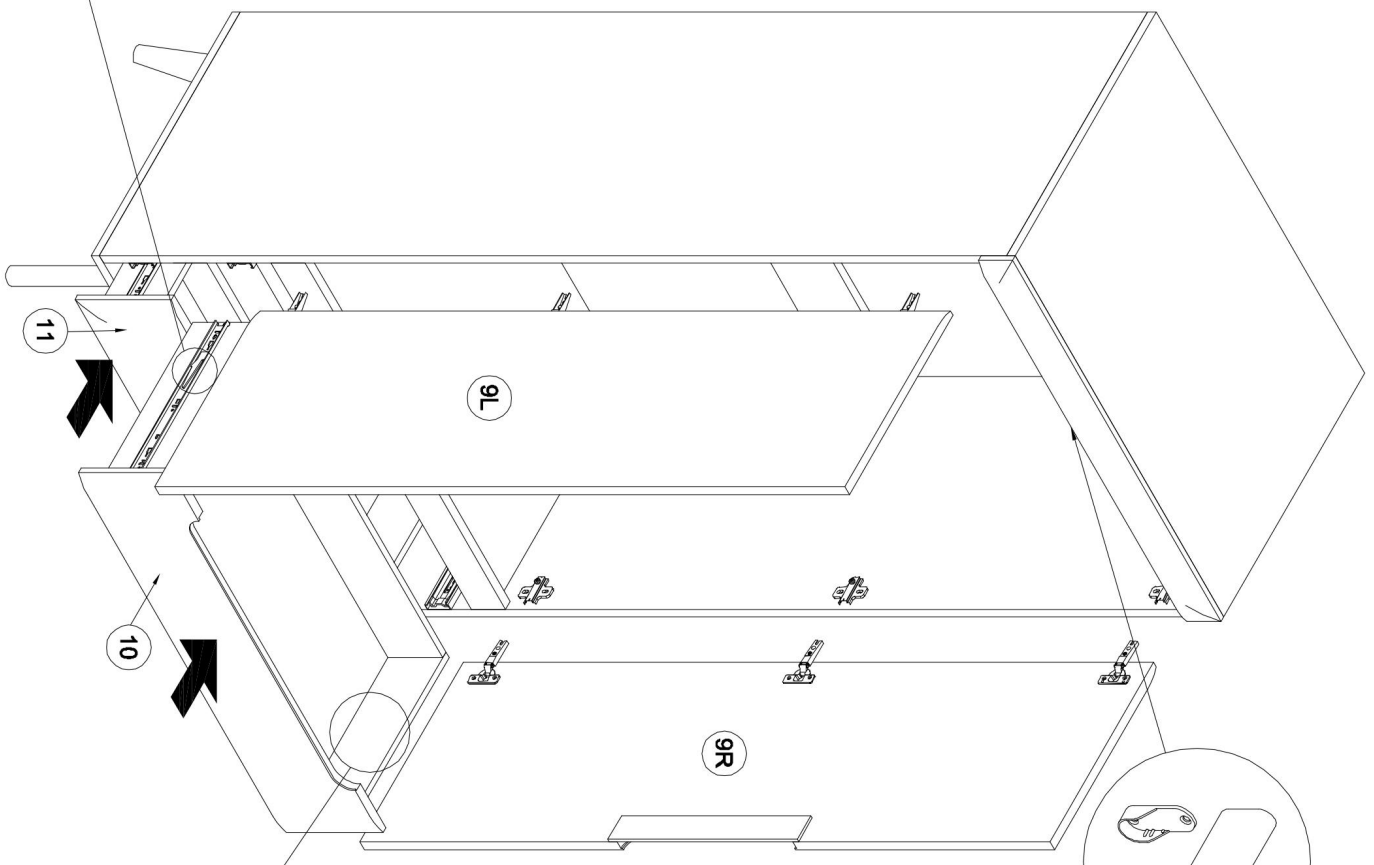
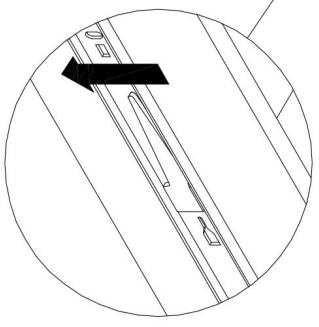
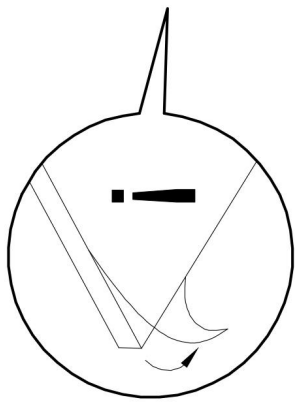
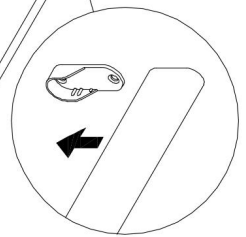
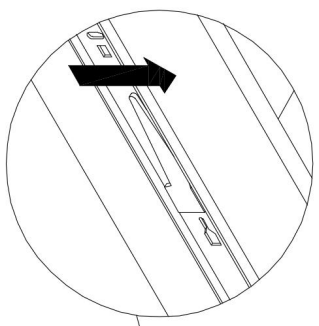
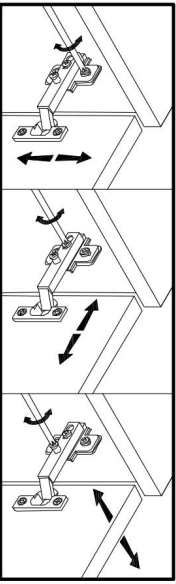
X2

- ND** 3.5x16 X12
- NF** 4x30 X2
- PC** X6



- V** 3x13 X12
- TB** X1
- TA** X1
- NA** 4x13 X1





W6 L-760mm  
x1